



*Hygiene Equipment Designed for People*

## **Assisted Shower & Bathing**



### *Height Adjustable Multi-tasking Shower Equipment*

that meets all your hygiene and work safety related needs working with assisted patient hygiene for immobile patients in hospitals, care and nursing homes when;

**Transferring - Transporting - Bathing - Showering - Dressing**

#### **HFS Group**

Route de Taillepied 44, 1095 Lutry

Tel : +41 21 903 57 67

e-mail: [direction@healthsport.ch](mailto:direction@healthsport.ch)

[www.healthsport.ch](http://www.healthsport.ch)

# Hygiene Equipment Designed for People



HFS Group offer the markets widest shower trolley program with several options regarding sizes and Working Load Limits, all from pediatric to bariatric models up to 450 kg. One thing all HFS Shower Trolleys have in common is that we do not compromise with our quality or functions and our simple aesthetic design making them easy to both clean and disinfect. Constructed of high-quality materials, stainless steel is used on areas that would possibly be liable for surface impacts resulting in the bare metal being exposed and risking corrosion and therefore reducing the working life of the trolleys considerably. Metal parts are manufactured within our own factory, this means we can control both quality and supply.

These factors give the customers a very low cost of ownership over the life of trolley.

We see the HFS shower Trolleys within high use environments outlasting our competitors' products due to its robust and quality design.

**Choose the right equipment and improve working environment for your staff. Prevent back injuries, increase productivity and ultimately save cost.**

**All HFS products are height-adjustable for caregiver's ergonomic use.**

#### **Core product values**

- Safety & Simplicity
- Functionality
- Hygiene
- Low cost of ownership



Transport



Bath



Shower

# Content



## Shower trolleys

HFS 2000/3000.....4-5  
 HFS 3200.....6-7  
 HFS 4200.....8-9  
 HFS 4000.....10-11

## Shower chair

HFS 1000.....12-13

## Shower panel

HFS 2810.....14-15



## Bathing & Mobile Patient Lift System.....16-17

## Shower Trolley Dimension Matrix.....18

| Model            | Type                | Working Load Limit (kg) | Adjustable height (mm) | External Length (mm) | External Width (mm) | Patient Work Area (mm) | Floor Clearance (mm) |
|------------------|---------------------|-------------------------|------------------------|----------------------|---------------------|------------------------|----------------------|
| 2000-S, 3000-S   | <i>Pediatric</i>    | 150                     | 625-925                | 1 600                | 705                 | 1 460 x 560            | 75                   |
| 2000-SH, 3000-SH | <i>High chassis</i> | 150                     | 685-985                | 1 600                | 705                 | 1 460 x 560            | 135                  |
| 2000, 3000       | <i>Standard</i>     | 150                     | 625-925                | 1 900                | 705                 | 1 770 x 560            | 75                   |
| 2000-H, 3000-H   | <i>High chassis</i> | 150                     | 685-985                | 1 900                | 705                 | 1 770 x 560            | 135                  |
| 2000-L, 3000-L   | <i>Long</i>         | 150                     | 625-925                | 2 100                | 705                 | 1 960 x 560            | 75                   |
| 2000-LH, 3000-LH | <i>High chassis</i> | 150                     | 685-985                | 2 100                | 705                 | 1 960 x 560            | 135                  |
| 3200 /3200 R     | <i>Standard</i>     | 200                     | 500-900                | 1 950                | 695                 | 1 780 x 640            | 160                  |
| 3200 L / 3200 LR | <i>Large</i>        | 200                     | 500-900                | 2 150                | 795                 | 1 980 x 740            | 160                  |
| 4200 Atlas Jr    | <i>Bariatric</i>    | 270                     | 535-835                | 2 150                | 740                 | 1 980 x 620            | 145                  |
| 4000 Atlas       | <i>Bariatric</i>    | 450                     | 535-835                | 2 210                | 915                 | 1 980 x 780            | 145                  |

# HFS 2000/3000

Shower Trolleys (max patient weight 150kg)

## HFS 2000/3000 Shower Trolleys

The HFS 2000 hydraulic and HFS 3000 battery operated shower trolley is unique with its side mounted column, allowing the trolley stretcher to overlap the bed further for a safe and easy patient transfer. Foot operated and height adjustable enables the attendant to find the most efficient and convenient working height and gives the attendant both hands free to tend to the patient.

The trolley assists and functions at the bed side allowing the attendant to have easy access to the trolley controls including height adjustment, stretcher tilt, castor brakes and straight steering.

A unique feature is that the trolley drains at both ends allowing the person to be positioned in either direction, an invaluable feature for the caregiver.



### Specification

|                           |  |
|---------------------------|--|
| <b>Length</b>             | 1600/1900/2100 mm  |
| <b>Width</b>              | 705 mm   |
| <b>Height:</b>            | 625-925 mm (Standard)<br>685-985 mm (High chassis, option) |
| <b>Working Load Limit</b> | 150 kg   |
| <b>Chassis:</b>           | Powder coated stainless and zinc plated steel              |
| <b>Castors:</b>           | Two castors with brakes and two with straight steering     |
| <b>Control:</b>           | Foot control for height adjustment                         |
| <b>Mattress, pillow</b>   | Flame retardant material -grey                             |
| <b>Battery (HFS 3000)</b> | Rechargeable, 24 V, 7Ah                                    |



HFS 3000 Battery operated - Back of chassis



HFS 2000 Hydraulic - Back of chassis



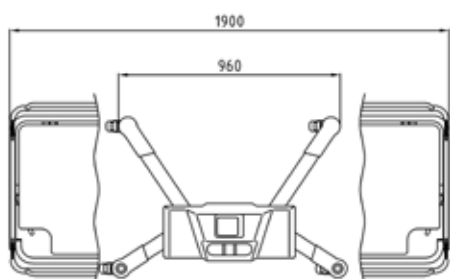
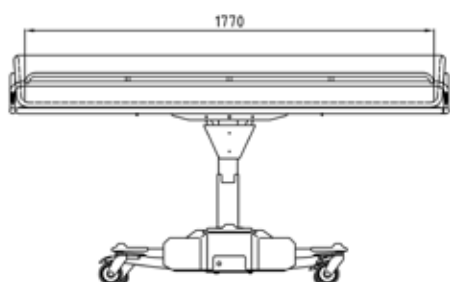
HFS 2000 Hydraulic - High chassis and HFS 3000 Battery operated - High chassis



## Features

- Foot operated and height adjustable enables the attendant to find the most efficient and convenient working height and gives the attendant both hands free to tend to the patient.
- Drains at both ends allowing the patient to be positioned in either direction.
- The belt driven height mechanism on the HFS 3000 allows for a quiet and smooth adjustment free from sudden movements. The height adjustment is driven by two high capacity rechargeable batteries and when charging is needed an audible tone sounds.
- The stretcher can easily be tilted to the "Trendelenburg" position, to alleviate person in shock. The stretcher can move in either direction with the tilt control handle located at both ends. The tilt position is controlled by gas springs so that the attendant has infinite tilt positions within the tilt range.
- The large castors with brakes and low angled legs with straight steering castors are features that make the trolley easy to steer and maneuver.
- The low center of gravity of the chassis lends stability to the trolley.
- The side rails can be pressed together when traveling through narrow doorways reducing the trolley width.
- The chassis is made of powder coated stainless and zinc plated steel.
- Designed for easy cleaning.
- All models come with mattress, head pillow and 1 m drainage hose as standard.
- Battery operated models come with a magnetic (MAGCODE) battery charger.

## Dimensions standard (mm)



## Accessories/Options

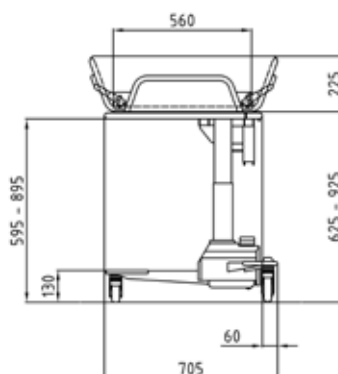
- Backrest wedge pillow, 15 degrees.
- For slinglift transfers, a factory mounted set of castors allowing a minimum of 135 mm free space under the front legs can be added. It raises the trolley stretcher 60 mm.
- All models can be delivered with blue or yellow mattress and head pillow instead of grey (standard).
- Fasteners/straps for attachment on mattresses to side rails.
- Safety rails in powder coated stainless steel
- Longer drainage hose 2,5 m, instead of 1 m as standard.

### Models - Hydraulic

|         |              |           |             |
|---------|--------------|-----------|-------------|
| 0522010 | HFS 2000     | Standard  | L = 1900 mm |
| 0522015 | HFS 2000 - S | Pediatric | L = 1600 mm |
| 0522016 | HFS 2000 - L | Long      | L = 2100 mm |

### Models - Battery operated:

|         |              |           |             |
|---------|--------------|-----------|-------------|
| 0522000 | HFS 3000     | Standard  | L = 1900 mm |
| 0522005 | HFS 3000 - S | Pediatric | L = 1600 mm |
| 0522006 | HFS 3000 - L | Long      | L = 2100 mm |



# HFS 3200

Shower Trolleys (max patient weight 200kg)

## HFS 3200 Shower Trolleys

The HFS 3200 battery operated shower trolley is unique with its side mounted column, allowing the trolley stretcher to overlap the bed further for a safe and easy resident transfer. The HFS 3200 comes in two sizes; standard as 1950 x 695 mm and the large version 2150 x 795 mm.

Both versions are available with on board battery solution or with removeable rechargeable batteries. The HFS 3200 height adjustable Shower Trolley is a great solution to prevent back injuries and to minimize static load and offers a safe and ergonomic working environment for the caregiver.

A unique feature is that the trolley drains at both ends allowing the person to be positioned in either direction, an invaluable feature for the caregiver.



### Specification

|                           |  |
|---------------------------|--|
| <b>Length</b>             | Standard 1950 mm, Large 2150 mm  |
| <b>Width</b>              | Standard 695 mm, Large 795 mm with side rails in upright position              |
| <b>Height:</b>            | Min. 500 mm, Max. 900 mm   |
| <b>Max Patient weight</b> | 200 kg   |
| <b>Chassis;/Frames</b>    | Powder coated stainless  |
| <b>Castors:</b>           | 100 mm twin castors.   |
| <b>Control:</b>           | Hand control for height and tilt adjustment                                    |
| <b>Mattress, pillow</b>   | Blue, Flame retardant material   |
| <b>Battery (HFS 3000)</b> | On board: rechargeable, 24V, 7Ah<br>Removeable and rechargeable: 1 x 24V, 5 Ah |



## Features

- Designed for easy cleaning and ease in mobility and transfers.
- Drains at both ends allowing the patient to be positioned in either direction.
- Side mounted column for improved patient transfers.
- Maximum patient weight of 200 kg.
- Large patient care area at 640 or 740 mm.
- The side rails can be pressed together when travelling through narrow doorways reducing the trolley width.
- Floor clearance at 160 mm to enable floor lift transfers.
- Quiet and smooth height/tilt adjustable motion.
- The stretcher can easily be tilted to the "Trendelenburg" position, to alleviate person in shock.
- The chassis and sub-frames are made of powder coated stainless steel.
- All models come with a magnetic (MAGCODE) battery charger, mattress, head pillow and 1 m drainage hose as standard.
- Both versions Standard and Large are available with an on board battery solution or with removeable rechargeable batteries.

## Accessories/Options

- Backrest wedge pillow, 15 or 30 degrees.
- All models can be delivered with grey head pillow instead of blue (standard).
- Fasteners/straps for attachment on mattresses to siderails.
- Longer drainage hose 2,5 m, instead of 1 m as standard.

### Models with on board batteries

|         |            |          |              |
|---------|------------|----------|--------------|
| 0532000 | HFS 3200   | Standard | 1950 x 695mm |
| 0532010 | HFS 3200 L | Large    | 2150 x 795mm |

### Models with rechargeable batteries

|         |             |          |              |
|---------|-------------|----------|--------------|
| 0532005 | HFS 3200 R  | Standard | 1950 x 695mm |
| 0532015 | HFS 3200 LR | Large    | 2150 x 795mm |



Flexible drainage hose with hose holder and Hand control for height/tilt adjustment

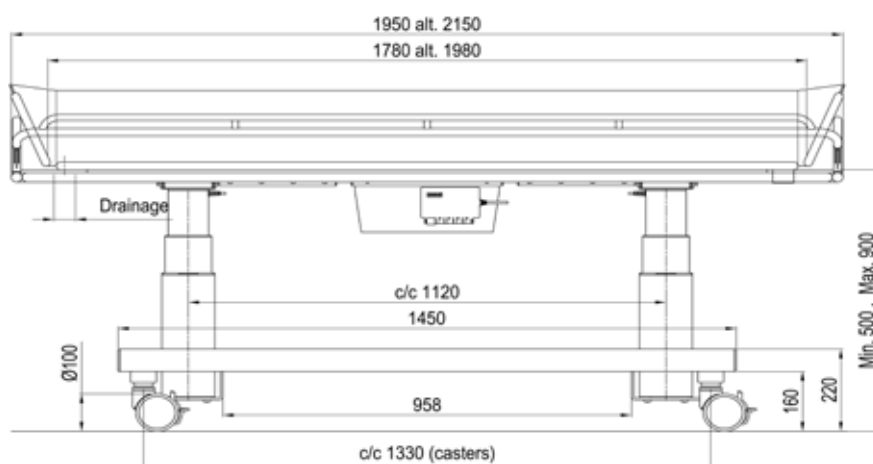
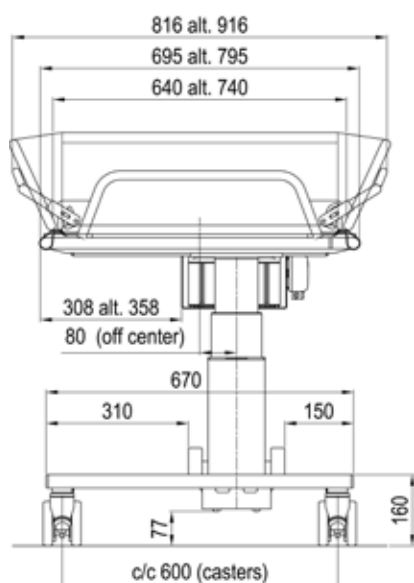


100 mm twin castors.  
2 braked and 2 straight steering as standard or with 4 braked castors.



TR 3200 with TR 2810 Shower Panel

## Dimensions (mm)



# HFS 4200 Atlas Jr.

Shower Trolleys (max patient weight 270kg)

## HFS Atlas Jr Shower Trolley

The ATLAS Jr battery operated Bariatric Shower Trolley is designed to lift high patient loads and offers a large showering platform giving improved comfort for the patient and greater flexibility for the caregiver.

The HFS 4200 is a great solution to prevent back injuries and to minimize static load and offers a safe and ergonomic working environment for the caregiver, even when working with bariatric patients.

The trolley has endless application possibilities including showering, transporting and providing an efficient dressing or treatment surface area. The bariatric resident can be transferred from bed to shower and back again in a safe and secure manner.

The hand control operates the power tilt in both directions for improved drainage and tilts to a "Trendelenburg" position when desired. The side rails can be pressed together when travelling through narrow doorways reducing the trolley width.

Floor clearance at 145 mm to enable floor lift transfers, and an audible tone sounds when the batteries run low. Potential impact and wear areas are made of powder coated stainless steel. The stretcher has rubber bumper wheels on all four corners to protect walls and doorways.



### Specification

|  |   |
|--|---|
| <b>Length</b>                              | 2150 mm   |
| <b>Width</b>                               | 740 mm  |
| <b>Height:</b>                             | 535 - 835 mm                                    |
| <b>Working Load Limit</b>                  | 270 kg  |
| <b>Brake bar and upper side rail/hinge</b> | Powder coated stainless steel                   |
| <b>Castors: Control:</b>                   | 150 mm. Centralized brake and straight steering |
| <b>Mattress, pillow</b>                    | Hand control for height and tilt adjustment     |
| <b>Battery (HFS 3000)</b>                  | Flame retardant material, grey                  |
|  | Rechargeable, 24V, 7 Ah                         |





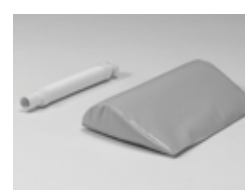


## Features

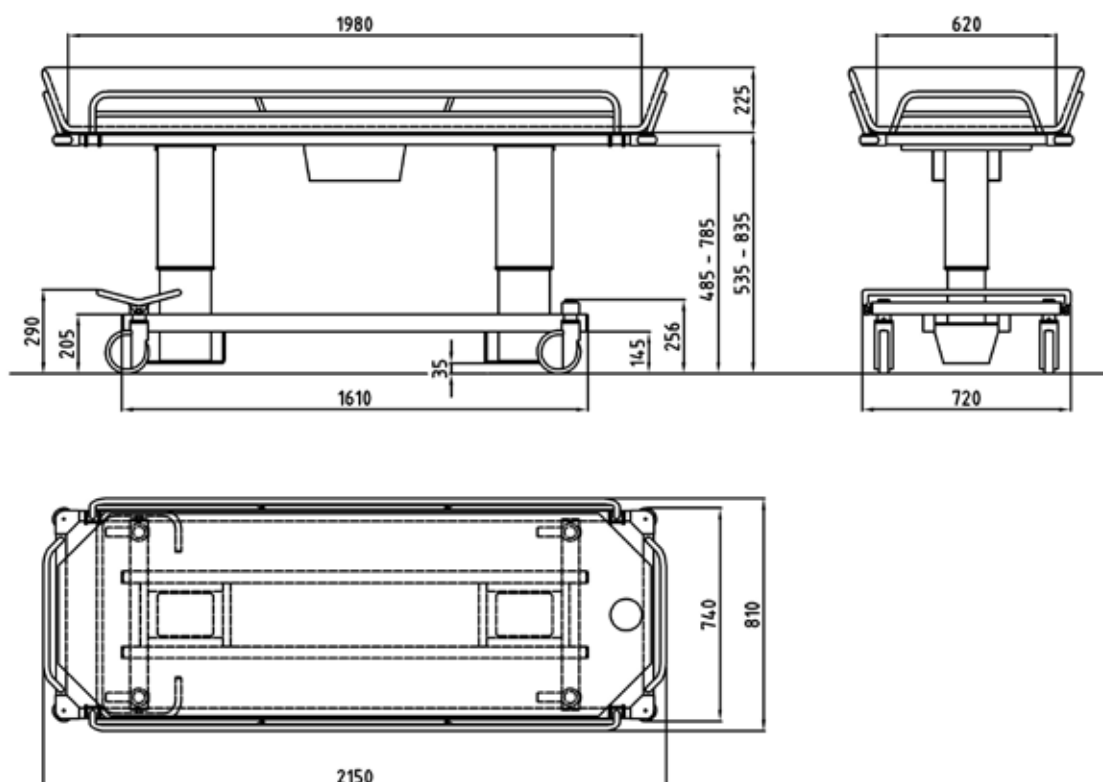
- The stretcher is easily and quietly raised by two powerful actuators. The hand control operates the power tilt in both directions and raises and lowers the trolley.
- The height of the base allows mobile sling lift transfers.
- The stretcher can easily be tilted to the “Trendelenburg” position, to alleviate a person in shock. An audible tone sounds when the stretcher is level and the batteries need charging.
- When transporting through narrow doorways the side rails can be folded reducing the trolley stretcher width.
- The stretcher has rubber bumper wheels on all four corners to protect walls and doorways.
- Side rails swing down or lock in a horizontal position for transfer and upright position for transport.
- The trolley is made of durable powder coated steel, zinc plated steel that make cleaning simple and efficient
- The mattress is easily removable.
- Foot control for straight steering and central breaking.
- Come with a magnetic (MAGCODE) battery charger, mattress, head pillow and 1 m drainage hose as standard.

## Accessories/Options

- Backrest wedge pillow, 15 or 30 degrees.
- Can be delivered with blue mattress and head pillow instead of grey (standard).
- Fasteners/straps for attachment on mattresses to siderails.
- Longer drainage hose 2,5 m, instead of 1 m as standard.



## Dimensions (mm)



# HFS 4000 Atlas

Shower Trolleys (max patient weight 450kg)

## HFS Atlas Shower Trolley

The ATLAS battery operated Bariatric Shower Trolley is designed to lift high patient loads and offers a large showering platform giving improved comfort for the patient and greater flexibility for the caregiver.

The HFS 4000 is a great solution to prevent back injuries and to minimize static load and offers a safe and ergonomic working environment for the caregiver, even when working with bariatric patients.

The trolley has endless application possibilities including showering, transporting and providing an efficient dressing or treatment surface area. The bariatric resident can be transferred from bed to shower and back again in a safe and secure manner.

The hand control operates the power tilt in both directions for improved drainage and tilts to a "Trendelenburg" position when desired. The side rails can be pressed together when travelling through narrow doorways reducing the trolley width.

Floor clearance at 145 mm to enable floor lift transfers, and an audible tone sounds when the batteries run low. Potential impact and wear areas are made of powder coated stainless steel. The stretcher has rubber bumper wheels on all four corners to protect walls and doorways.



### Specification

|  |  |
|--|--|
| <b>Length</b>                              | 2210 mm  |
| <b>Width</b>                               | 915 mm   |
| <b>Height:</b>                             | 535 - 835 mm   |
| <b>Max Patient weight</b>                  | 450 kg   |
| <b>Brake bar and upper side rail/hinge</b> | Powder coated stainless steel                            |
| <b>Castors:</b>                            | 150 mm, brakes on all four castors and straight steering |
| <b>Control:</b>                            | Hand control for height adjustment and tilting           |
| <b>Mattress, pillow</b>                    | Flame retardant material. 15° wedge pillow as standard   |
| <b>Battery</b>                             | Rechargeable, 24V, 7 Ah                                  |

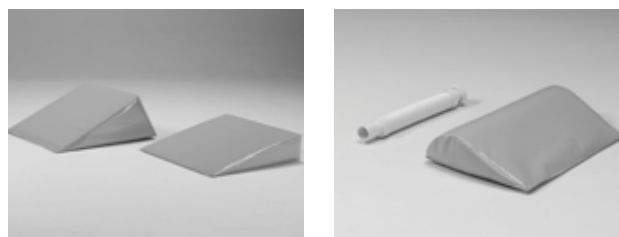


## Features

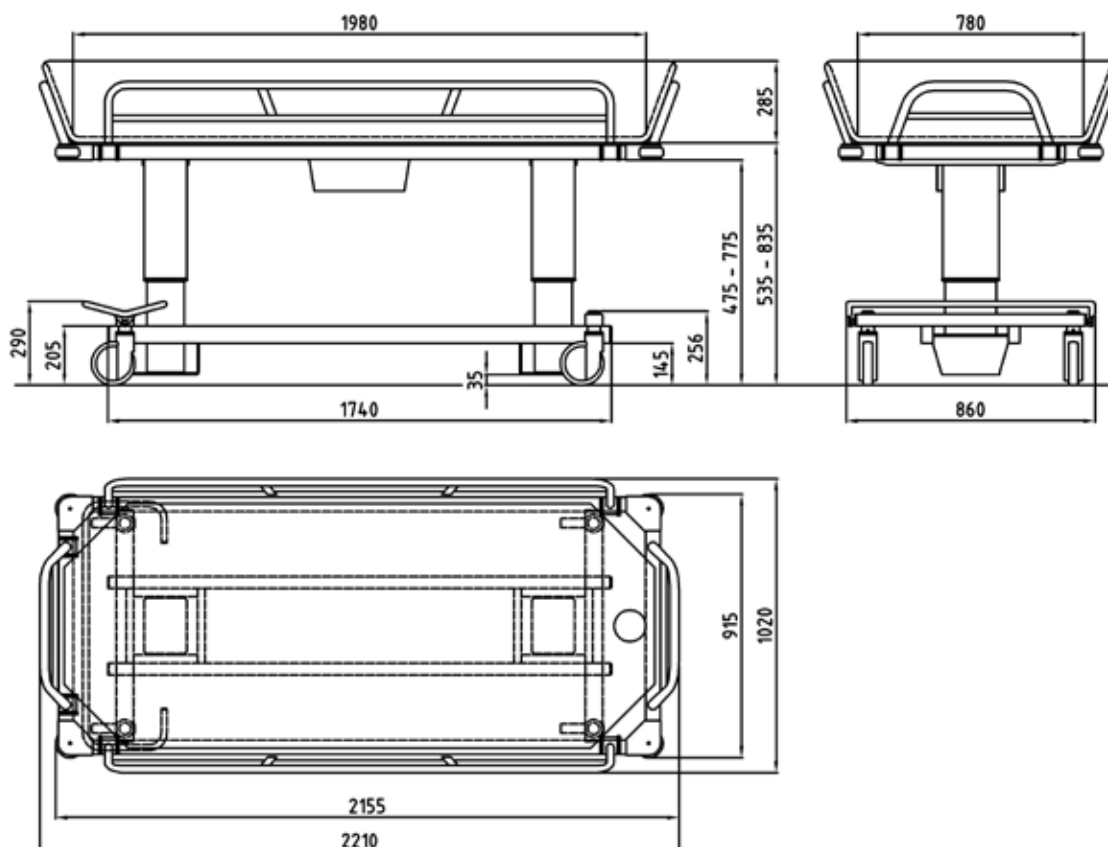
- The stretcher is easily and quietly raised by two powerful actuators. The hand control operates the power tilt in both directions and raises and lowers the trolley.
- The height of the base allows mobile sling lift transfers.
- The stretcher can easily be tilted to the “Trendelenburg” position, to alleviate a person in shock. An audible tone sounds when the stretcher is level and the batteries need charging.
- When transporting through narrow doorways the side rails can be folded reducing the trolley stretcher width.
- The stretcher has rubber bumper wheels on all four corners to protect walls and doorways.
- Side rails swing down or lock in a horizontal position for transfer and upright position for transport.
- The trolley is made of durable powder coated steel, zinc plated steel that make cleaning simple and efficient
- The mattress is easily removable.
- Foot control for straight steering and central breaking.
- Head end rail folds to horizontal position for extra length.
- Come with a magnetic (MAGCODE) battery charger, mattress, 15° backrest wedge pillow and 1 m drainage hose as standard.

## Accessories/Options

- Backrest wedge pillow, 30 degrees.
- Can be delivered with blue mattress and backrest pillow instead of grey (standard).
- Fasteners/straps for attachment on mattresses to siderails.
- Longer drainage hose 2,5 m, instead of 1 m as standard.



## Dimensions (mm)



# HFS 1000

Shower Chair (max patient weight 200kg)

## HFS 1000 Chair

### Showering at its best

The HFS 1000 battery operated Shower Chair is height adjustable and can be tilted backward and forward for easy and efficient transfers and showering

The HFS 1000 Height adjustable Shower Chair is a great solution to minimize static load and offers a safe and ergonomic working environment for caregivers.

The full power feature of the HFS 1000 allows the caregiver to use the handcontrol to adjust the height and tilting of the chair so that they can best position the resident to care for their individual needs. This provides a safe patient handling environment for both the resident and the caregiver.



### Specification

|                                 |  |
|---------------------------------|--|
| <b>Lifting stroke Range</b>     | 400 mm   |
| <b>Working Load Limit</b>       | 200 kg   |
| <b>Tilt Backwards (recline)</b> | 25 degrees   |
| <b>Tilt forwards</b>            | 7 degrees  |
| <b>Structure</b>                | Powder coated, zinc plated steel and stainless steel |
| <b>Castors:</b>                 | Twin Ø100mm castors with locking brakes              |
| <b>Control:</b>                 | Hand control for height adjustment and tilting       |
| <b>Battery</b>                  | Removable and rechargeable, 24V, 5 Ah                |



## Features

- Clean design of chassis and chair makes access easy during transfers and showering. It also makes the TR 1000 easy to clean.
- Suitable to use with most sling hoists and standing/raising aids to make transfers as smooth and safe as possible.
- Seat and chassis create possibilities for toileting over standard toilet or with a bed pan attached to the chair.
- Designed for stability and for ease in mobility and transfers.
- The rear chair design features a smooth surface for ease of cleaning.
- Adjustable head rest.
- Belt over the hip feature for patient safety.
- The adjustable and foldable footrest ensures security and comfort for residents (available factory mounted option).
- All models come with 1 rechargeable battery and a battery charger.

## Accessories/Options

- Adjustable and foldable footrest (factory mounted)
- Chest belt (factory mounted)
- Bed pan including lid
- Wallbracket for battery pack
- Straight steering kit (factory mounted)

### Models

|         |  |
|---------|--|
| 0521000 | Shower Chair with straight armrests                        |
| 0521010 | Shower Chair with front closing armrests (factory mounted) |



0521015, Adjustable and foldable footrest, factory mounted



0521020, Chest belt

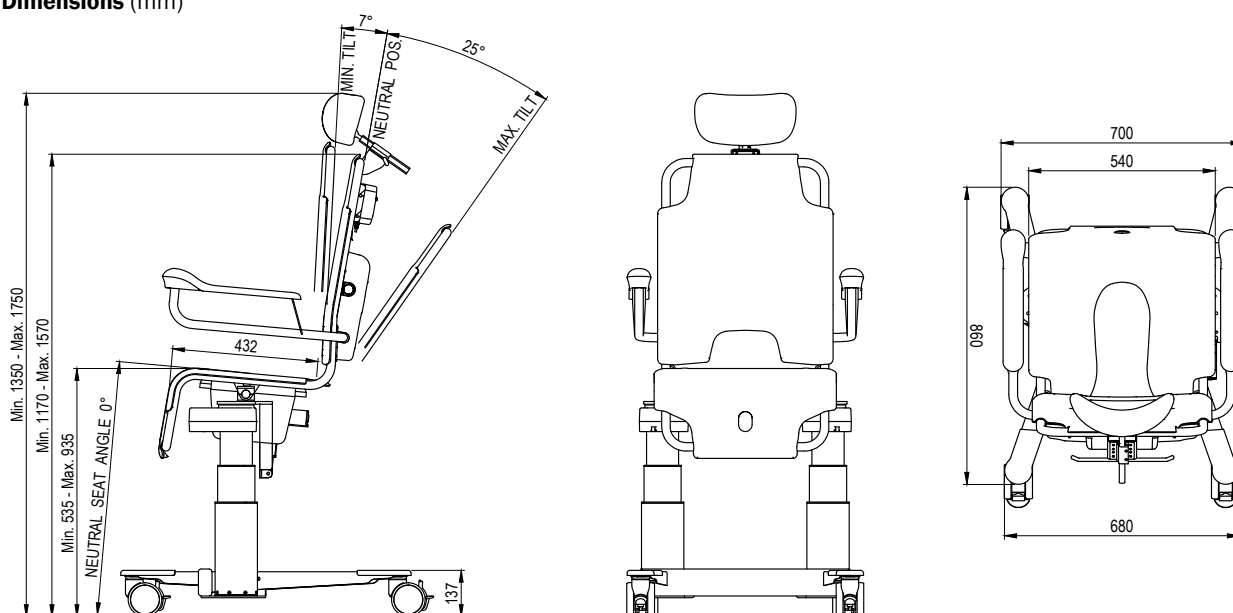


850169, bed pan including lid



Customized colours

## Dimensions (mm)



# HFS 2810

## Shower Panel

### HFS 2810 Shower Panel

#### Complete Shower System with thermostatic mixing valve.

HFS 2810 is a shower panel with thermostatic mixing valve and a separate cleaning system that together with HFS shower trolleys fulfill a complete shower system. This system means care is comfortable, safe and hygienic for both resident and attendant.

HFS 2810 is also available with a mechanical lock for cleaning detergent bottle (option).

HFS 2810 is a shower panel with a built in thermostatic mixing valve and separate on/off valves for the shower system and the cleaning system. The cleaning system runs on cold water to minimize inhalation when cleaning equipment, the panel has a built in bottle for cleaning detergent.

The HFS 2810 together with HFS shower trolleys is a combined shower system which gives both resident and attendant comfortable hygienic care with high quality.



#### Specification

|  |          |
|--|----------|
| <b>Length</b>                                  | 580 mm   |
| <b>Height</b>                                  | 360 mm   |
| <b>Depth</b>                                   | 130 mm   |
| <b>Reccommended mounting height from floor</b> | 1 250 mm |
| <b>Min. Dynamic water pressure</b>             | 0,15 Bar |
| <b>Max. Dynamic water pressure</b>             | 5 Bar    |



## Features

### Easily operated

- Easily operated thanks to clear and clean design.

### Cleaning system

- Intergrated hygienic and safe cleaning system for easy cleaning of equipment.

### Cleaning detergent

- Built in bottle for cleaning detergent which are automatically mixed with cold water in the cleaning system.

### Shower hose thermometer

- Thermometer on the shower hose available as option to read shower water temperature.

### Hot and cold water supply for patient shower:

- Thermostatic mixer
- Valve for patient shower
- Shower spray handle
- Patient shower hose white

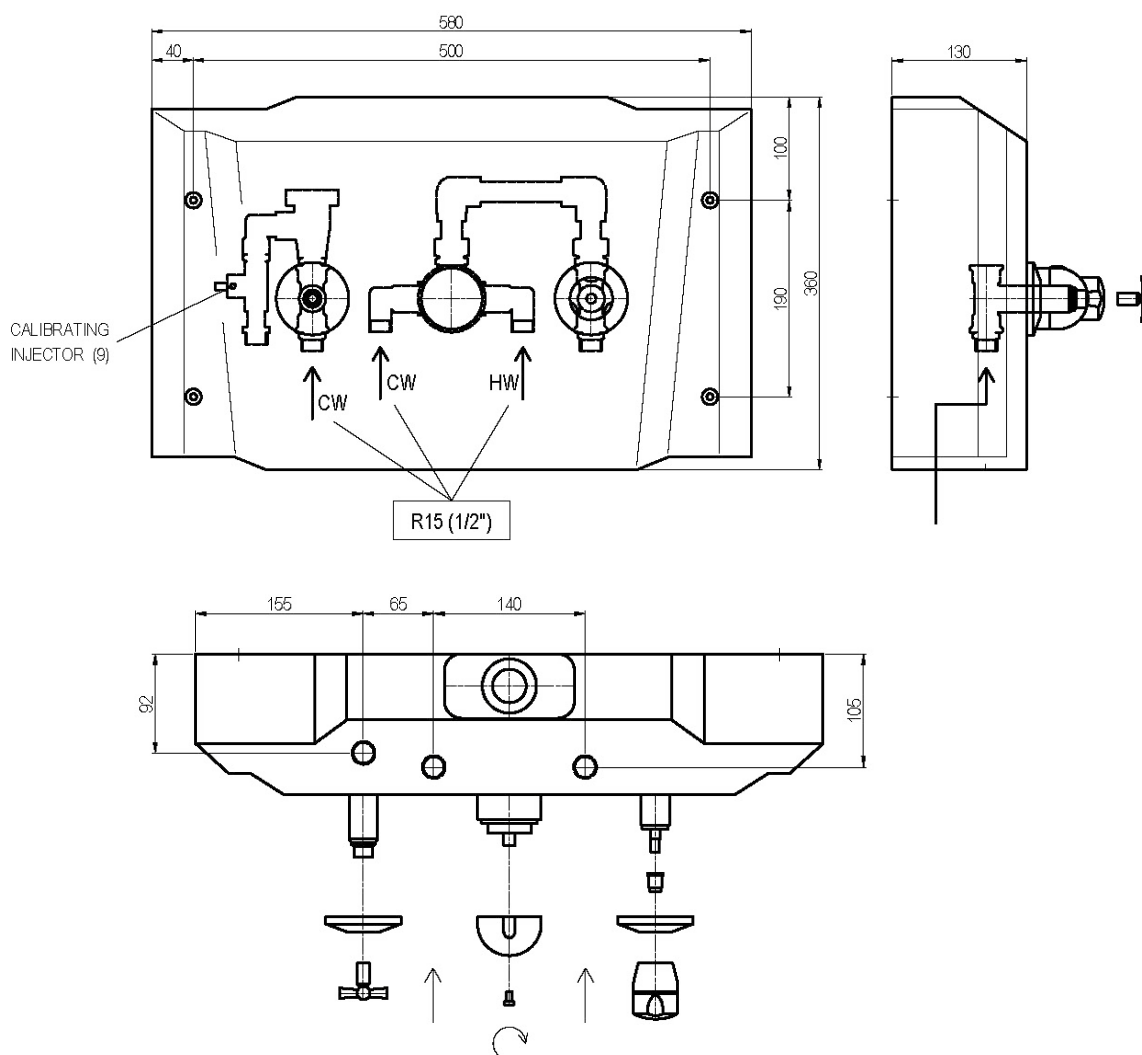
### Cold water supply, for cleaning:

- Safety valve for equipment cleaning
- Cleaning spray handle. **Note:** Never to be used on patients.
- Cleaning shower hose yellow
- Cleaning detergent filling
- Cleaning flow setting valve inside panel

### Option

- HFS 2810 is now available with a mechanical lock for cleaning detergent bottle.
- Thermometer

## Dimensions (mm)



# HFS Bathing & Mobile Bath Lift System

## HFS 900 - Height Adjustable Full Featured Bath

The HFS 900 is a height adjustable bathtub that complies with facilities that have a “No Lift Policy”. Attendants can be more productive while being able to bathe patients in a safe handling environment. The HFS 900 will improve care quality.

The functional design of the HFS 900's integrated bathtub and panel makes it simple and convenient to operate. The key hole shape of the tub provides extra width at the head end resulting in more space for arms and shoulders. The smooth and soft lines of the HFS 900 allow for easy maintenance and clean-up. Available as height adjustable with whirlpool, cleaning system, and Autofill, the HFS 900 is a full feature recumbent bath.



The **HFS900 Autofill** bath models are even more simple and efficient for staff to use. No waiting or observation time when prefilling the bathtub



## HFS 1700 - Space Saving Height Adjustable Bath

The HFS 1700 was specifically designed to optimize your small space without sacrificing function and efficiency. Ideal for hospitals, nursing homes and private homes who have limited space and require a fully functioning bathtub.

## HFS Comfortline - The height adjustable WELLNESS Bath

Functional - Practical - Easy to use

The Comfortline provides superior bathing experience. The pleasingly simple design provides a more traditional visual approach to bathing. Available options to offer the user a soothing bathing experience are adjustable air spa, LED colour light system and music sound wave system.







## HFS 9650

Mobile resident Bath Lifts with battery operated height adjustment available in different models to meet all care needs. Combi, Chair and Stretcher models all suitable for transfer, transport and bathing for many type of residents in many different environments.

Together with the HFS Bathtubs the HFS 9650 completes a system that offers a safe, labour efficient and person orientated bathing cycle with increased care quality.

The Combi Lift with Chair converts easily to a Stretcher Lift when attaching the Stretcher side parts to the chair. No tools required. Stretcher side parts include a head pillow.



**Chairlift - 0542000**



**Stretcher lift - 0542010**



**Combilift - 0542020**

# Shower Trolley Dimension Matrix

Choose the right equipment and improve working environment for your staff, prevent back injuries, increase productivity and ultimately save cost.



| Model            | Type                | Working Load Limit (kg) | Adjustable height (mm) | External Length (mm) | External Width (mm) | Patient Work Area (mm) | Floor Clearance (mm) |
|------------------|---------------------|-------------------------|------------------------|----------------------|---------------------|------------------------|----------------------|
| 2000-S, 3000-S   | <i>Pediatric</i>    | 150                     | 625-925                | 1 600                | 705                 | 1 460 x 560            | 75                   |
| 2000-SH, 3000-SH | <i>High chassis</i> | 150                     | 685-985                | 1 600                | 705                 | 1 460 x 560            | 135                  |
| 2000, 3000       | <i>Standard</i>     | 150                     | 625-925                | 1 900                | 705                 | 1 770 x 560            | 75                   |
| 2000-H, 3000-H   | <i>High chassis</i> | 150                     | 685-985                | 1 900                | 705                 | 1 770 x 560            | 135                  |
| 2000-L, 3000-L   | <i>Long</i>         | 150                     | 625-925                | 2 100                | 705                 | 1 960 x 560            | 75                   |
| 2000-LH, 3000-LH | <i>High chassis</i> | 150                     | 685-985                | 2 100                | 705                 | 1 960 x 560            | 135                  |
|                  |                     |                         |                        |                      |                     |                        |                      |
| 3200 /3200 R     | <i>Standard</i>     | 200                     | 500-900                | 1 950                | 695                 | 1 780 x 640            | 160                  |
| 3200 L / 3200 LR | <i>Large</i>        | 200                     | 500-900                | 2 150                | 795                 | 1 980 x 740            | 160                  |
|                  |                     |                         |                        |                      |                     |                        |                      |
| 4200 Atlas Jr    | <i>Bariatric</i>    | 270                     | 535-835                | 2 150                | 740                 | 1 980 x 620            | 145                  |
| 4000 Atlas       | <i>Bariatric</i>    | 450                     | 535-835                | 2 210                | 915                 | 1 980 x 780            | 145                  |



# HFS GROUP

## HFS Group

Route de Taillepie 44, 1095 Lutry

Tel : +41 21 903 57 67

e-mail: [direction@healthsport.ch](mailto:direction@healthsport.ch)

[www.healthsport.ch](http://www.healthsport.ch)