



# HFS GROUP

## Catalogue de produit - Table de traitement

HFS Group  
Route de Taillepied 44  
1095 Lutry  
+41 21 503 57 67  
[direction@healthsport.ch](mailto:direction@healthsport.ch)  
[healthsport.ch](http://healthsport.ch)





# 01

## Electric Treatment Table

---

EL 1	Electric Changing Table	- 9 -
EL01H	Hydraulic Examination Table	-10-
EL11/11AR	Contoured Electric Treatment Table	-11-
EL02	Electric Examination Table	-12-
EL022/022AR	Electric Examination Table	-13-
EL02H	Hydraulic Examination Table	-14-
EL03	Electric Treatment Table	-15-
EL032	Electric Treatment Table	-16-
EL03H	Hydraulic Treatment Table	-17-
EL03S	Electric Treatment Table	-18-
EL03E	Equal Electric Treatment Table	-19-
EL03EM	Equal Electric Treatment Table	-20-
EL03EM3	Equal All Electric Treatment Table	-21-
EL05/05AR	Multi-position Electric Treatment Table	-22-
EL06	Split-Leg Electric Treatment Table	-23-
EL10	Multi-position Electric Treatment Table	-24-
BT001	Electric Day Spa Table	-25-

---

# EL01

## ELECTRIC CHANGING TABLE



This electric changing table is designed specifically for use within hospital and home care for changing disabled people.

# EL01H

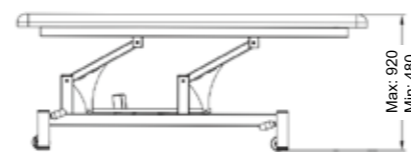
## HYDRAULIC EXAMINATION TABLE



This hydraulic examination table has a hydraulic system for raising and lowering to bring Hi-Lo function, it could be used anywhere without electric power limited. Actually, the hydraulic optional can fit most other items with single motor.

### Features

- Electric Hi-Lo operation by foot bar
- Sleek design with rounded frame legs for safety
- Padded side rails ( optional design )
- Face hole and plug
- Adjustable feet for uneven surfaces
- 75mm retractable castors for safety and mobility
- Reliable TIMOTION motor
- Height range from 48cm to 92cm in approx 30 seconds
- Padding thickness 5cm
- Foam Density: 36kg/m3
- Warranty: 5 Years Construction, 3 Years Electrics
- Upholstery: Heavy duty PVC vinyl that is fire, stain, mildew, oil, water and wear resistant
- Certification: CE, FDA, ISO 13485:2016
- Weight Capacity: 250KG



Side rail code: S01



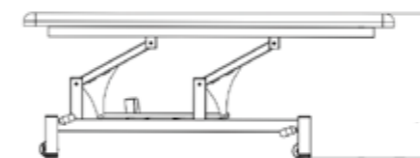
Side rail code: P02

### Specification

180cm	66cm	48-92cm	5cm	36kg/m3	φ 75mm	57kgs	0.66	185 x 71 x 51cm

### Features

- Smooth Hi-Lo operation by hydraulic
- Sleek design with rounded frame legs for safety
- Padded side rails ( optional design )
- Face hole and plug
- Adjustable feet for uneven surfaces
- 75mm retractable castors for safety and mobility
- Height range from 53cm to 84cm
- Padding thickness 5cm
- Foam Density: 36kg/m3
- Warranty: 5 Years Construction, 18 months Hydraulic
- Upholstery: Heavy duty PVC vinyl that is fire, stain, mildew, oil, water and wear resistant
- Certification: CE, FDA, ISO 13485:2016
- Weight Capacity: 250KG



### Specification

180cm	66cm	53-84cm	5cm	36kg/m3	φ 75mm	60kgs	0.66	185 x 71 x 51cm



# EL11

## CONTOURED ELECTRIC TREATMENT TABLE

A comfortable and adjustable table with contoured surface to increase patient access. The flexible padded face rest and prone arm rest ensure patient comfort and relaxation during treatment.



### EL11AR

Width 80cm with armrest

# EL02

## ELECTRIC EXAMINATION TABLE

This strong two section table will withstand the rigours of patient treatment whether it is used in a demanding Physiotherapy clinic or a small GP practice you can rest assured it will perform. With a sleek design, great features and a foot switch as standard it is simple to operate straight from the box without any assembly required.



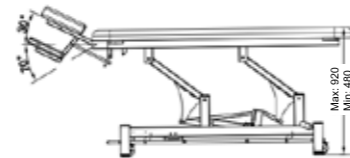
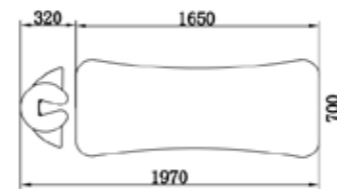
### EL02-BF

Black frame

### Features



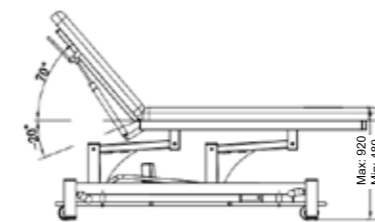
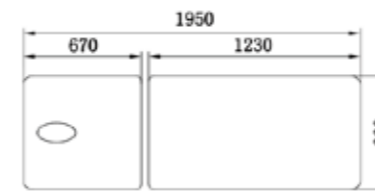
- Electric Hi-Lo operation by foot bar
- Sleek design with rounded frame legs for safety
- Comfortable head cushion with optional prone arm rest
- Adjustable feet for uneven surfaces
- 75mm retractable castors for safety and mobility
- Reliable TiMOTION motor
- Height range from 48cm to 92cm in approx 30 seconds
- Padding thickness 5cm
- Foam Density: 36kg/m<sup>3</sup>
- Upholstery: Heavy duty PVC vinyl that is fire, stain, mildew, oil, water and wear resistant
- Warranty: 5 Years Construction, 3 Years Electrics
- Certification: CE, FDA, ISO 13485:2016
- Weight Capacity: 250KG



### Specification

197cm	70cm	48-92cm	-70° to +30°	5cm	φ 75mm	62kgs	0.77	193 x 75 x 54cm

### Features



- Electric Hi-Lo operation by foot bar
- Sleek design with rounded frame legs for safety
- Head section has face hole and plug
- Adjustable feet for uneven surfaces
- 75mm retractable castors for safety and mobility
- Reliable TiMOTION motor
- Height range from 48cm to 92cm in approx 30 seconds
- Padding thickness 5cm
- Foam Density: 36kg/m<sup>3</sup>
- Warranty: 5 Years Construction, 3 Years Electrics
- Upholstery: Heavy duty PVC vinyl that is fire, stain, mildew, oil, water and wear resistant
- Certification: CE, FDA, ISO 13485:2016
- Weight Capacity: 250KG



### Specification

195cm	66cm	48-92cm	-20° to +70°	5cm	φ 75mm	60kgs	0.75	199 x 74 x 51cm



# EL022

## ELECTRIC EXAMINATION TABLE

Two section table with armrest

CONFY CARE®

This table is designed with a multi-position head section for more treatment and examination. This table addresses the requirements of a wide range of manual handling issues to benefit both patient and doctor.



# EL022AR

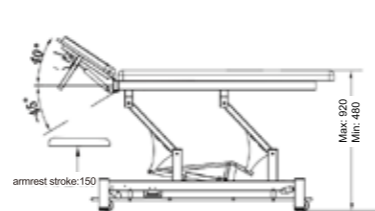
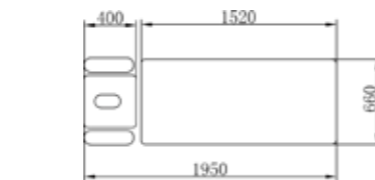
Width 80cm with armrest, black frame



### Features



- Electric Hi-Lo operation by foot bar
- Sleek design with rounded frame legs for safety
- Comfortable head cushion with prone arm rest
- Adjustable feet for uneven surfaces
- 75mm retractable castors for safety and mobility
- Reliable TIMOTION motor
- Height range from 48cm to 92cm in approx 30 seconds
- Padding thickness 5cm
- Foam Density: 36kg/m<sup>3</sup>
- Warranty: 5 Years Construction, 3 Years Electrics
- Upholstery: Heavy duty PVC vinyl that is fire, stain, mildew, oil, water and wear resistant
- Certification: CE, FDA, ISO 13485:2016
- Weight Capacity: 250KG



### Specification

195cm	66cm	48-92cm	-45° to +40°	5cm	φ 75mm	64kgs	0.72	199 x 70 x 51cm

# EL02H

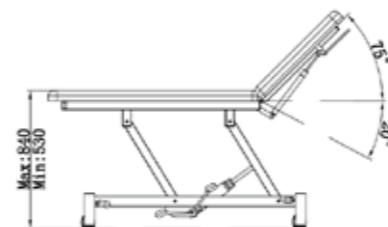
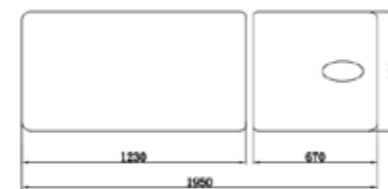
## HYDRAULIC EXAMINATION TABLE

This two section table has a hydraulic system for raising and lowering to bring Hi-Lo function, it could be used anywhere without electric power limited. Actually, the hydraulic option can fit most other items with single motor.



### Features

- Smooth Hi-Lo operation by hydraulic
- Sleek design with rounded frame legs for safety
- Head section has face hole and plug
- Adjustable feet for uneven surfaces
- 75mm retractable castors for safety and mobility
- Height range from 53cm to 84cm
- Padding thickness 5cm
- Foam Density: 36kg/m<sup>3</sup>
- Warranty: 5 Years Construction, 18 months Hydraulic
- Upholstery: Heavy duty PVC vinyl that is fire, stain, mildew, oil, water and wear resistant
- Certification: CE, FDA, ISO 13485:2016
- Weight Capacity: 250KG



### Specification

195cm	66cm	53-84cm	-20° to +75°	5cm	φ 75mm	65kgs	0.81	199 x 70 x 58cm

# EL03

## ELECTRIC TREATMENT TABLE



The preferred choice of physiotherapists. This short head table provides a strong platform for treatments. With a gas strut supported head and backrest coupled with a smooth hi-lo operation this table represents great value.

### EL03-BF

Black frame



# EL032

## ELECTRIC TREATMENT TABLE

A popular selection for physiotherapists. This table offers strong smooth electric hi-lo operation through foot switch along with a generous range of motion for the head & backrest. This table will allow correct patient positioning while reducing practitioner strain.



### EL032-BF

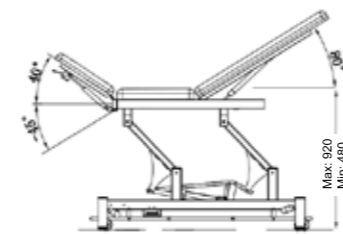
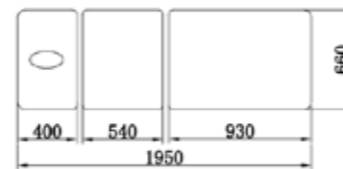
Black frame



### Features



- Electric Hi-Lo operation by foot bar
- Sleek design with rounded frame legs for safety
- Head section has face hole and plug
- Adjustable feet for uneven surfaces
- 75mm retractable castors for safety and mobility
- Reliable TiMOTION motor
- Height range from 48cm to 92cm in approx 30 seconds
- Padding thickness 5cm
- Foam Density: 36kg/m<sup>3</sup>
- Warranty: 5 Years Construction, 3 Years Electrics
- Upholstery: Heavy duty PVC vinyl that is fire, stain, mildew, oil, water and wear resistant
- Certification: CE, FDA, ISO 13485:2016
- Weight Capacity: 250KG



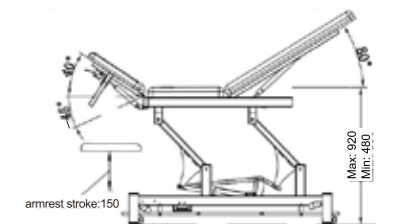
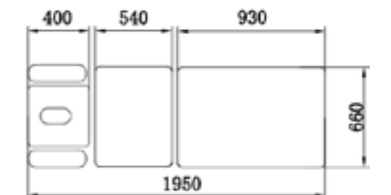
### Specification

195cm	66cm	48-92cm	-45° to +40°	0° to +80°	φ 75mm	66kgs	0.71	190 x 70 x 53cm

### Features



- Electric Hi-Lo operation by foot bar
- Sleek design with rounded frame legs for safety
- Height adjustable padded armrests
- Head section has face hole and plug
- Height range from 48cm to 92cm in approx 30 seconds
- Adjustable feet for uneven surfaces
- 75mm retractable castors for safety and mobility
- Reliable TiMOTION motor
- Padding thickness 5cm
- Foam Density: 36kg/m<sup>3</sup>
- Upholstery: Heavy duty PVC vinyl that is fire, stain, mildew, oil, water and wear resistant
- Warranty: 5 Years Construction, 3 Years Electrics
- Certification: CE, FDA, ISO 13485:2016
- Weight Capacity: 250KG



### Specification

195cm	66cm	48-92cm	-45° to +40°	0° to +80°	φ 75mm	65kgs	0.73	194 x 70 x 53cm

# EL03H

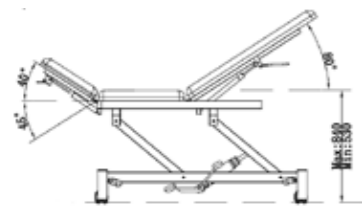
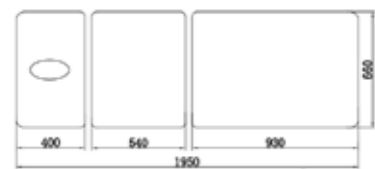
## HYDRAULIC TREATMENT TABLE



This three-section table has a hydraulic system for raising and lowering to bring Hi-Lo function. This short head table provides a strong platform for treatments. With a gas strut supported head and backrest coupled with a smooth hi-lo operation this table represents great value.

### Features

- Smooth Hi-Lo operation by hydraulic
- Sleek design with rounded frame legs for safety
- Head section has face hole and plug
- Height range from 53cm to 84cm
- Adjustable feet for uneven surfaces
- 75mm retractable castors for safety and mobility
- Padding thickness 5cm
- Foam Density: 36kg/m<sup>3</sup>
- Upholstery: Heavy duty PVC vinyl that is fire, stain, mildew, oil, water and wear resistant
- Warranty: 5 Years Construction, 18 months Hydraulic
- Certification: CE, FDA, ISO 13485:2016
- Weight Capacity: 250KG



### Specification



195cm	66cm	53-84cm	-45° to +40°	0° to +80°	φ 75mm	62kgs	0.83	189 x 70 x 62cm

# EL03S

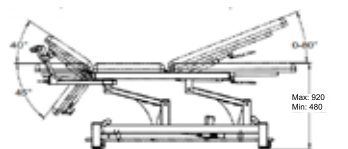
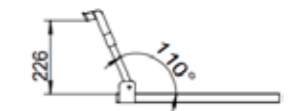
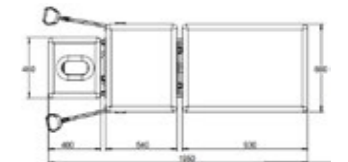
## ELECTRIC TREATMENT TABLE



This table is designed for simple examination at gynecology procedures. It is suitable for a wide range of treatment and other therapy.

### Features

- Electric Hi-Lo operation by foot bar
- Sleek design with rounded frame legs for safety
- Head section has face hole and plug
- Equip with stirrups on both side
- Adjustable feet for uneven surfaces
- 75mm retractable castors for safety and mobility
- Reliable TiMOTION motor
- Height range from 48cm to 92cm in approx 30 seconds
- Padding thickness 5cm
- Foam Density: 36kg/m<sup>3</sup>
- Warranty: 5 Years Construction, 3 Years Electrics
- Upholstery: Heavy duty PVC vinyl that is fire, stain, mildew, oil, water and wear resistant
- Certification: CE, FDA, ISO 13485:2016
- Weight Capacity: 250KG



### Specification



195cm	66cm	48-92cm	-45° to +40°	0° to +80°	φ 75mm	62kgs	0.83	189 x 70 x 62cm



# ELO3E

## EQUAL ELECTRIC TREATMENT TABLE



Our most popular product this three equal section table with dual gas strut supported sections & smooth hi-lo operation represents great value. Number 1 choice for medical centre for many years.

# ELO3E-BF

Black frame



# ELO3EM

## EQUAL ELECTRIC TREATMENT TABLE

This table is designed for a equal length for each section, suitable for a wide range of treatment and other therapy. It also provides easily adjustable height for head & back section by double gas struts.

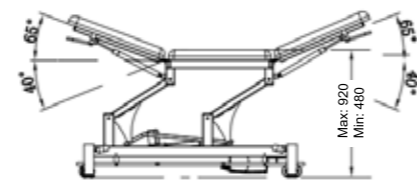


Motor lifts the head section

### Features



- Electric Hi-Lo operation by foot bar
- Sleek design with rounded frame legs for safety
- Head section has face hole and plug
- Height range from 48cm to 92cm in approx 30 seconds
- Adjustable feet for uneven surfaces
- 75mm retractable castors for safety and mobility
- Reliable TiMOTION motor
- Padding thickness 5cm
- Foam Density: 36kg/m3
- Upholstery: Heavy duty PVC vinyl that is fire, stain, mildew, oil, water and wear resistant
- Warranty: 5 Years Construction, 3 Years Electrics
- Certification: CE, FDA, ISO 13485:2016
- Weight Capacity: 250KG

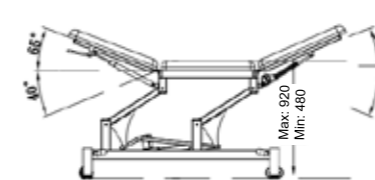


### Specification



195cm	70cm	48-92cm	-40° to +65°	-40° to +65°	φ 75mm	62kgs	0.71	186 x 74 x 51cm

### Features



- Electric Hi-Lo operation by foot switch
- Sleek design with rounded frame legs for safety
- Head section has face hole and plug
- Height range from 48cm to 92cm in approx 30 seconds
- Adjustable feet for uneven surfaces
- 75mm retractable castors for safety and mobility
- 2 reliable TiMOTION motors
- Padding thickness 5cm
- Foam Density: 36kg/m3
- Upholstery: Heavy duty PVC vinyl that is fire, stain, mildew, oil, water and wear resistant
- Warranty: 5 Years Construction, 3 Years Electrics
- Certification: CE, FDA, ISO 13485:2016
- Weight Capacity: 250KG

### Specification



195cm	70cm	48-92cm	-40° to +65°	-42° to +70°	φ 75mm	63kgs	0.74	186 x 74 x 54cm

# ELO3EM3

## EQUAL ALL ELECTRIC TREATMENT TABLE



Motor lifts the head & leg section

This equal all electric treatment table provides a strong and versatile frame and upholstery. This table have very strong and versatile, suitable for a wide range of manual therapy techniques, Various medical procedures, osteopathy, massage and complimentary medicine.

# EL05

## MULTI-POSITION ELECTRIC TREATMENT TABLE

A popular selection for physiotherapists this five section table offers strong smooth electric hi-lo and postural drainage operation through foot switch along with a generous range of motion for the head & backrest.

# EL05AR

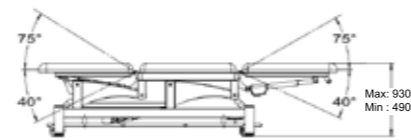
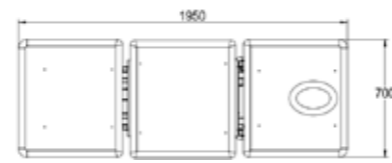
Width 90cm with armrest, black frame



### Features



- Electric Hi-Lo operation by foot switch
- Sleek design with rounded frame legs for safety
- Head section has face hole and plug
- Height range from 49-93cm in approx 30 seconds
- Adjustable feet for uneven surfaces
- 75mm retractable castors for safety and mobility
- 3 reliable TiMOTION motors
- Padding thickness 5cm
- Foam Density: 36kg/m<sup>3</sup>
- Upholstery: Heavy duty PVC vinyl that is fire, stain, mildew, oil, water and wear resistant
- Warranty: 5 Years Construction, 3 Years Electrics
- Certification: CE, FDA, ISO 13485:2016
- Weight Capacity: 250KG



### Specification

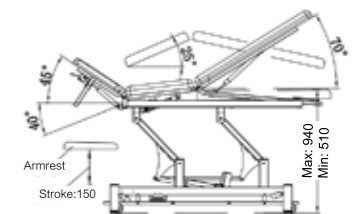
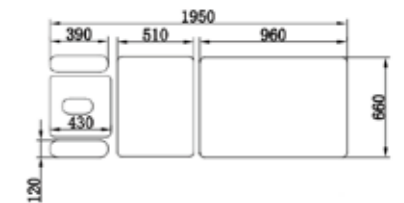


195cm	70cm	49-93 cm	-40° to +75°	-40° to +75°	5cm	71kgs	0.74	186 x 74 x 54cm

### Features



- Electric Hi-Lo operation by foot bar
- Electric postural drainage operation by foot switch
- Sleek design with rounded frame legs for safety
- Height adjustable padded armrests
- Head section has face hole and plug
- Adjustable feet for uneven surfaces
- 75mm retractable castors for safety and mobility
- Reliable TiMOTION motor
- Height range from 51cm to 94cm in approx 30 seconds
- Padding thickness 5cm
- Foam Density: 36kg/m<sup>3</sup>
- Upholstery: Heavy duty PVC vinyl that is fire, stain, mildew, oil, water and wear resistant
- Warranty: 5 Years Construction, 3 Years Electrics
- Certification: CE, FDA, ISO 13485:2016
- Weight Capacity: 250KG



### Specification



195cm	66cm	51-94cm	-40° to +45°	0° to +25°	0° to +70°	76kgs	0.81	195 x 70 x 58cm



# EL06

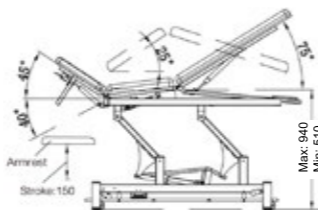
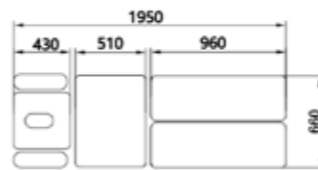
## SPLIT-LEG ELECTRIC TREATMENT TABLE

Specially designed a split-leg at backrest for more strong function, provides amazing function and stability, with widest choice for user's requirements.



### Features

- Electric Hi-Lo operation by foot bar
- Electric postural drainage operation by foot switch
- Sleek design with rounded frame legs for safety
- Height adjustable padded armrests
- Head section has face hole and plug
- Adjustable feet for uneven surfaces
- 75mm retractable castors for safety and mobility
- Reliable TIMOTION motor
- Height range from 51cm to 94cm in approx 30 seconds
- Padding thickness 5cm
- Foam Density: 36kg/m<sup>3</sup>
- Upholstery: Heavy duty PVC vinyl that is fire, stain, mildew, oil, water and wear resistant
- Warranty: 5 Years Construction, 3 Years Electrics
- Certification: CE, FDA, ISO 13485:2016
- Weight Capacity: 250KG



### Specification

195cm	66cm	51-94cm	-40° to +45°	0° to +25°	0° to +75°	80kgs	0.81	195 x 70 x 58cm

# EL10

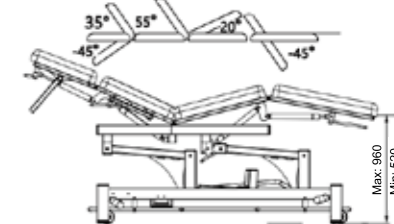
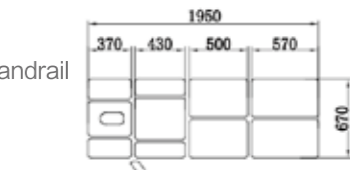
## MULTI-POSITION ELECTRIC TREATMENT TABLE

This table has a very strong table designed to withstand constant heavy use with minimal maintenance. It addresses the requirements of a wide range of manual handling issues to benefit both patient and doctor.



### Features

- Electric Hi-Lo operation by foot bar
- Sleek design with rounded frame legs for safety
- Height adjustable padded armrests and folding side handrail
- Head section has face hole and plug
- Split-leg flexion leg plate
- Adjustable feet for uneven surfaces
- 75mm retractable castors for safety and mobility
- Reliable TIMOTION motor
- Height range from 52-96cm in approx 30 seconds
- Padding thickness 5cm
- Foam Density: 36kg/m<sup>3</sup>
- Upholstery: Heavy duty PVC vinyl that is fire, stain, mildew, oil, water and wear resistant
- Warranty: 5 Years Construction, 3 Years Electrics
- Certification: CE, FDA, ISO 13485:2016
- Weight Capacity: 250KG



### Specification

195cm	67cm	52-96cm	-45° to +35°	0° to +55°	0° to +20°	0° to -45°	85kgs	0.73	194 x 70 x 53cm



# BT001

## ELECTRIC DAY SPA TABLE



This electric Hi-Lo table is perfect for use in beauty, day spa and massage. It can be used in numerous comfortable positions with the head and leg section adjusted by gas struts. It has removable padded arm rests on each side that are also height adjustable. The wings next to the head piece are removable for patient comfort in massage allowing them to rest their arms on the prone arm rest.

# 02

## Mat & Bobath Table

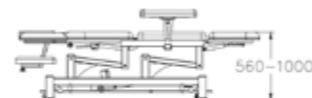
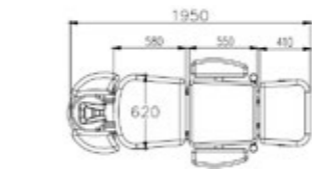
EL01W Electric Mat Table -27-

EL02W Electric Bobath Table -28-

### Features



- Electric Hi-Lo operation by foot switch
- Luxurious soft and comfortable head cushion
- Sleek design with rounded frame legs for safety
- Removable padded wing armrests
- Padded prone arm rest
- Adjustable feet for uneven surfaces
- 75mm retractable castors for safety and mobility
- Reliable TIMOTION motor
- Height range from 56cm to 100cm in approx 30 seconds
- Padding thickness 75mm
- Foam Density: 36kg/m<sup>3</sup>
- Upholstery: Heavy duty PVC vinyl that is fire, stain, mildew, oil, water and wear resistant
- Warranty: 5 Years Construction, 3 Years Electrics
- Certification: CE, FDA, ISO 13485:2016
- Weight Capacity: 250KG



1 Motor  
 5 YEAR Warranty  
 CE Certificate  
 250KG Max Loading

### Specification

195cm	62cm	56-100cm	0° to +75°	+5° to -80°	φ 75mm	70kgs	0.86	193 x 73 x 61cm

# EL01W

## ELECTRIC MAT TABLE

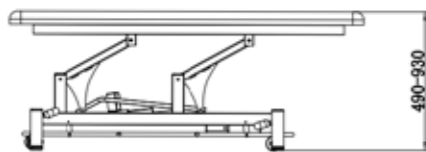
This Hi-Lo Power Mat Therapy Table is a robust treatment table designed to make physical therapies and examinations safe and comfortable for patients of any size.



# EL02W

## ELECTRIC BOBATH TABLE

Designed for rehabilitation. This strong two section neurological bobath table has been designed with the therapist in mind. The large table top provides plenty of space for patient and therapist and three nose holes and plugs provides flexibility of treatment.



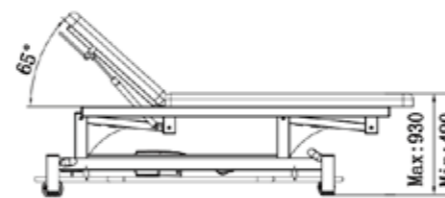
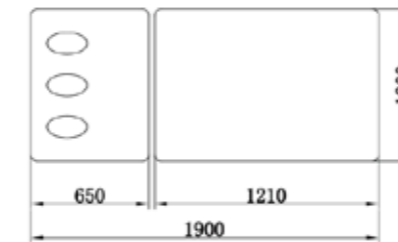
### Features

- Electric Hi-Lo operation by foot bar
- Sleek design with rounded frame legs for safety
- Head section has three face holes and plugs
- Super wide table top 120cm
- Adjustable feet for uneven surfaces
- 75mm retractable castors for safety and mobility
- Reliable TiMOTION motor
- Height range from 49cm to 93cm in approx 30 seconds
- Padding thickness 5cm
- Foam Density: 36kg/m<sup>3</sup>
- Warranty: 5 Years Construction, 3 Years Electrics
- Upholstery: Heavy duty PVC vinyl that is fire, stain, mildew, oil, water and wear resistant
- Certification: CE, FDA, ISO 13485:2016
- Weight Capacity: 250KG

### Specification



190cm	120cm	49-93cm	5cm	36kg/m <sup>3</sup>	φ 75mm	96kgs	1.28	195 x 125 x 53cm



### Features

- Electric Hi-Lo operation by foot bar
- Sleek design with rounded frame legs for safety
- Head section has three face holes and plugs
- Super wide table top 120cm
- Adjustable feet for uneven surfaces
- 75mm retractable castors for safety and mobility
- Reliable TiMOTION motor
- Height range from 49cm to 93cm in approx 30 seconds
- Padding thickness 5cm
- Foam Density: 36kg/m<sup>3</sup>
- Upholstery: Heavy duty PVC vinyl that is fire, stain, mildew, oil, water and wear resistant
- Warranty: 5 Years Construction, 3 Years Electrics
- Certification: CE, FDA, ISO 13485:2016
- Weight Capacity: 250KG

### Specification



190cm	120cm	49-93cm	0° to +65°	5cm	φ 75mm	101kgs	1.27	194 x 124 x 53cm



# 03

## Medical Examination Table

---

EL35	Electric Podiatry Chair	-31-
ELT35	Electric Ophthalmic/ ENT Operating Table	-32-
EL3603	Electric Gynecology Table	-33-
EL3605	Electric Gynecology Table	-34-
EL35B	Electric Blood Chair	-35-

---



# EL35

## ELECTRIC PODIATRY CHAIR



A versatile podiatry and multipurpose treatment chair. This strong chair includes many features such as nose hole and plug, flip up armrests & a debris tray to suit the many disciplines of the healthcare and beauty industry.

# ELT35

## ELECTRIC OPHTHALMIC/ ENT OPERATING TABLE

This Ophthalmic Table can be used as pedicure chair, eye examination table and so on. It's a multifunctional physiotherapy chair and suitable for a wide range of treatment & other therapy.

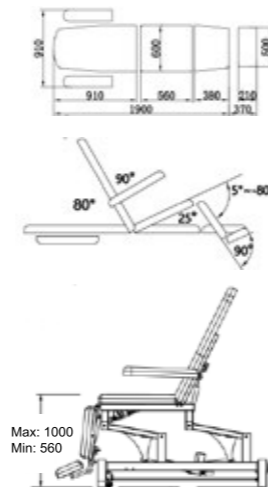


Debris tray included

### Features



- Electric Hi-Lo operation and seat tilt operation by foot switch
- Sleek design with rounded frame legs for safety
- Comfortable flip up armrests
- Padded adjustable footrest
- Head section has face hole and headrest plug
- Debris tray included
- Adjustable feet for uneven surfaces
- 75mm retractable castors for safety and mobility
- Reliable TIMOTION motor
- Height range from 56cm to 100cm in approx 30 seconds
- Padding thickness 5cm
- Foam Density: 36kg/m<sup>3</sup>
- Upholstery: Heavy duty PVC vinyl that is fire, stain, mildew, oil, water and wear resistant
- Warranty: 5 Years Construction, 3 Years Electrics
- Certification: CE, FDA, ISO 13485:2016
- Weight Capacity: 250KG



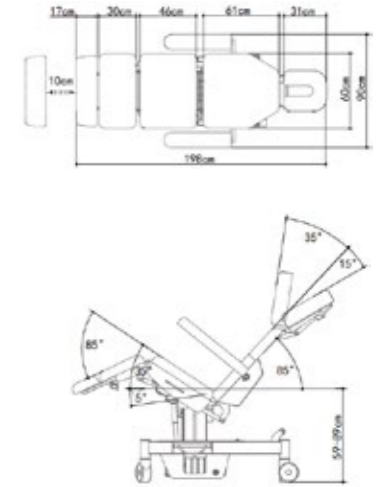
### Specification

cm	cm	cm	Angle of backrest	Seat angle	Angle of leg plate	Angle of footrest	kg	m <sup>3</sup>	Packing size
190cm	60cm	56-100cm	0° to +80°	0° to +25°	-80° to +5°	0° to +90°	74kgs	0.76	184 x 68 x 60cm

### Features



- Electric Hi-Lo and angle operation by handle switch
- Luxurious soft and comfortable head cushion
- Contoured comfortable table top and flip up armrests
- Debris tray included
- Sleek design with rounded frame legs for safety
- Removable padded wing armrests
- 125mm castors for safety and mobility
- Reliable column motor
- Height range from 59cm to 89cm in approx 20 seconds
- Padding thickness 75mm
- Foam Density: 36kg/m<sup>3</sup>
- Upholstery: Heavy duty PVC vinyl that is fire, stain, mildew, oil, water and wear resistant
- Warranty: 5 Years Construction, 3 Years Electrics
- Certification: CE, FDA, ISO 13485:2016
- Weight Capacity: 250KG



### Specification

cm	cm	cm	Angle of headrest	Angle of backrest	Angle of seat plate	Angle of leg plate	kg	m <sup>3</sup>	Packing size
198cm	60cm	59-89cm	-15° to +35°	0° to +85°	-5° to +35°	0° to +85°	111kgs	0.8	162 x 74 x 67cm

# EL3603

## ELECTRIC GYNAECOLOGY TABLE



Everything you will need for women's health and general examinations all in one table. This flexible table includes foot pads, stirrups, debris tray, a fill section & nose hole with plug allowing for a multitude of different examinations & treatments. It features a smooth hi-lo adjustment & electric seat tilt with foot switch for optimum manoeuvrability and better patient treatment.

# EL3605

## ELECTRIC GYNAECOLOGY TABLE

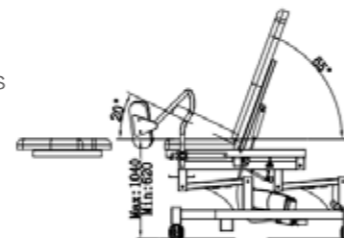
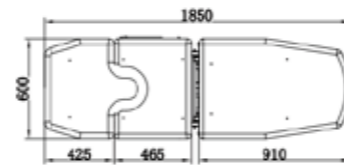


Our premium gynaecology table provides for electric positioning of height & tilt through a foot switch ensuring practitioner comfort. This table has been designed with an additional headrest section transforming to a full length table for most general examinations and minor treatments.

### Features



- Electric Hi-Lo operation and Electric seat tilt operation by foot switch
- Sleek design with rounded frame legs for safety
- Foot pads & stirrups both included
- Debris tray & side rails included
- Fill section allowing general use
- Adjustable feet for uneven surfaces
- 75mm retractable castors for safety and mobility
- Reliable TiMOTION motor
- Height range from 62cm to 104cm in approx 30 seconds
- Padding thickness 5cm
- Foam Density: 36kg/m3
- Upholstery: Heavy duty PVC vinyl that is fire, stain, mildew, oil, water and wear resistant
- Warranty: 5 Years Construction, 3 Years Electrics
- Certification: CE, FDA, ISO 13485:2016
- Weight Capacity: 250KG



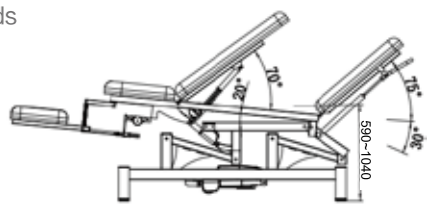
### Specification

185cm	60cm	62-104cm	0° to +65°	0° to +20°	φ 75mm	79kgs	0.75	149 x 73 x 69cm

### Features



- Electric Hi-Lo operation, Electric seat tilt and backrest tilt operation by foot switch
- Dual gas strut operated headrest
- Debris tray & foot pads
- Sleek design with rounded frame legs for safety
- Adjustable feet for uneven surfaces
- 75mm retractable castors for safety and mobility
- Reliable TiMOTION motor
- Height range from 59cm to 104cm in approx 30 seconds
- Padding thickness 5cm
- Foam Density: 36kg/m3
- Upholstery: Heavy duty PVC vinyl that is fire, stain, mildew, oil, water and wear resistant
- Warranty: 5 Years Construction, 3 Years Electrics
- Certification: CE, FDA, ISO 13485:2016
- Weight Capacity: 250KG



### Specification

185cm	70cm	59-104cm	-30° to +75°	0° to +70°	0° to +20°	88kgs	0.89	189 x 74 x 64cm

# EL35B

## ELECTRIC BLOOD CHAIR

Realization of people-oriented design and original products to meet the donor's sense of security and comfort of donors to alleviate the psychological pressure, blood the whole process easier and enjoyable.



# 04

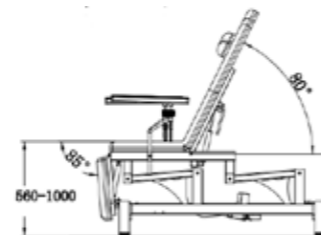
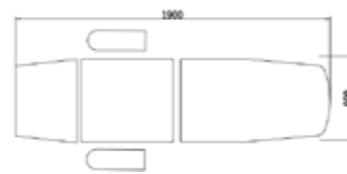
## Electric Ultrasound Table

ELT300S Multi-use Imaging Power Table -37-

EL02C Electric Cardiology Table -39-

### Features

- Electric Hi-Lo operation by foot bar
- Sleek design with rounded frame legs for safety
- Comfortable flip up armrests
- Removable padded headrest
- Adjustable feet for uneven surfaces
- 75mm retractable castors for safety and mobility
- Reliable TiMOTION motor
- Height range from 56cm to 100cm in approx 30 seconds
- Padding thickness 5cm
- Foam Density: 36kg/m<sup>3</sup>
- Upholstery: Heavy duty PVC vinyl that is fire, stain, mildew, oil, water and wear resistant
- Warranty: 5 Years Construction, 3 Years Electrics
- Certification: CE, FDA, ISO 13485:2016
- Weight Capacity: 250KG



### Specification

←→ cm	↙↘ cm	↑↓ cm	Angle of backrest	Angle of leg plate	⌀	kg	m <sup>3</sup>	Packing size
190cm	60cm	56-100cm	0° to +80°	0° to -85°	φ 75mm	69kgs	0.77	164 x 74 x 64cm



# ELT300S

## MULTI-USE IMAGING POWER TABLE WITH 3-SECTION TOP

This table is built for the ultrasound work environment. The table provides easier access for cardiac exams, GYN exams, upper extremity vascular exams and interventional procedures.

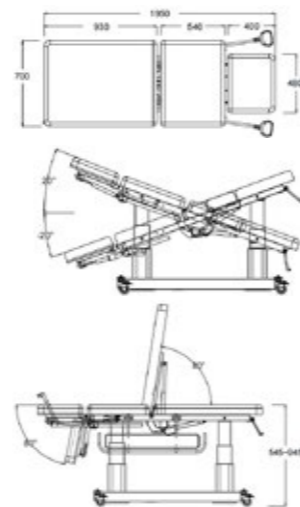


### Features

- Electric Hi-lo operation by hand switch, easy to use
- Three-piece top with electric adjustable height, backrest, Trendelenburg & Reverse Trendelenburg, pneumatic adjustable footrest
- Unobstructed base design. All-welded base and top frame
- Trendelenburg/Reverse Trendelenburg plus or minus 20°
- Reliable 2pcs column motors. Dual column lift system adds rigidity
- 3" heavy duty locking casters. Each caster has a brake system
- Reliable TiMOTION motor
- Height range from 54cm to 94cm
- Hi-lo without load: in approx 16 seconds, Hi-lo with 250KGS/550LBS in 27s for higher and 15s for lower
- Option choice of safety rails/stirrups/paper roll holder/paper cutter/Safety Straps
- Upholstery: 3" thickness with high density foam. Heavy duty PVC vinyl that is fire, stain, mildew, oil, water and wear resistant
- Warranty: 5 Years Construction, 3 Years Electrics
- Certification: CE, FDA, ISO 13485:2016
- Weight Capacity: 250KG

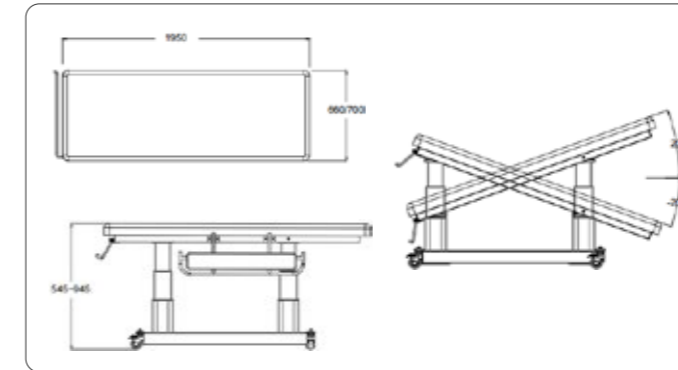
### Specification

Length	Width	Height	Angle of backrest	Angle of leg plate	Angle of forward	Angle of backward	Max Loading	Volume	Packing size
195cm	70cm	54-94cm	0° to +80°	0° to +80°	-20° to 0°	0° to +20°	110kgs	1 m <sup>3</sup>	176 x 78 x 73cm

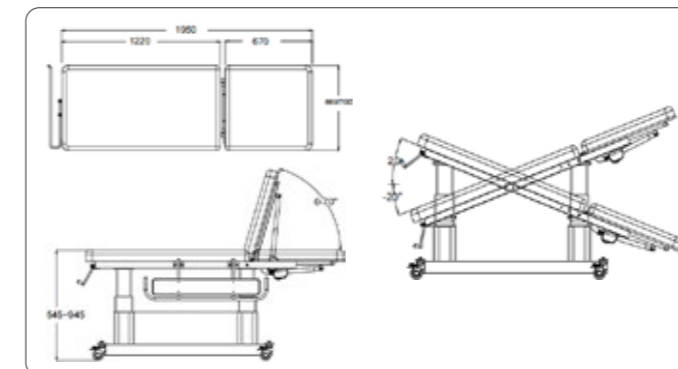


### OPTIONS DESIGN

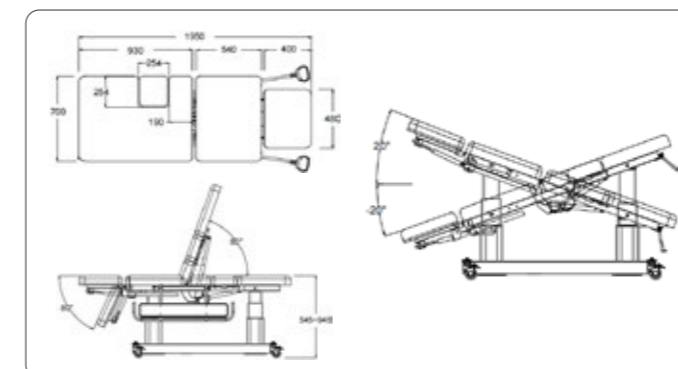
- One-section top



- Two-section top



- Three-section top with drop window  
Optional drop window in 254x254mm



### ELT100



### ELT200



### ELT300SD



# EL02C

## ELECTRIC CARDIOLOGY TABLE

A strong two section cardiology table with comfortable sewn edge upholstery, central lock castors, electric backrest & two special cardiac cut outs allowing increased patient access. With a sleek design, great features and foot switch as standard it is simple to operate straight from the box without any assembly required.



# 05

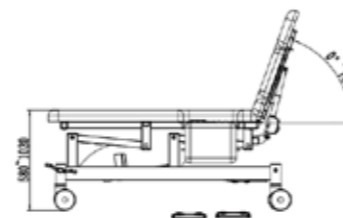
## Electric Traction Table

EL04	Electric Traction Table	-41-
ELT042	Electric Traction Table	-42-

### Features



- Electric Hi-Lo operation and backrest operation by foot switch
- Electric backrest for effortless operation
- Dual cut outs for easy patient access
- Comfortable sewn edge upholstery
- Sleek design with rounded frame legs for safety
- 125mm central lock castors for safety and mobility
- Reliable TiMOTION motor
- Height range from 58cm to 102cm in approx 30 seconds
- Padding thickness 5cm
- Foam Density: 36kg/m<sup>3</sup>
- Upholstery: Heavy duty PVC vinyl that is fire, stain, mildew, oil, water and wear resistant
- Warranty: 5 Years Construction, 3 Years Electrics
- Certification: CE, FDA, ISO 13485:2016
- Weight Capacity: 250KG



### Specification

195cm	70cm	58-102cm	32 x 25cm	0° to +75°	φ 125mm	62kgs	0.91	199 x 75 x 61cm

# EL04

## ELECTRIC TRACTION TABLE



This traction table offers a great solution for static and intermittent lumbar and cervical traction treatments. Including a flexion stool and angle adjustable machine mount. This table is an out of the box solution for many practitioners.

# ELT042

## ELECTRIC TRACTION TABLE

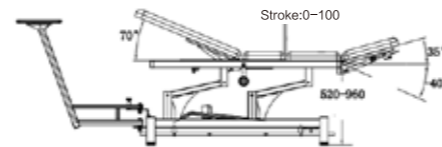
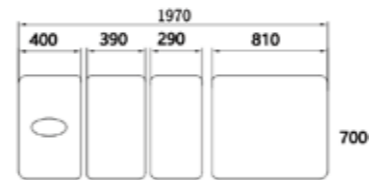


This premium traction table is designed and built with finest materials and finishing quality through modern engineering techniques. Table is sturdy and meet all the criteria to optimize the patients' treatment. Traction table is generally for orthopaedic practitioners.

### Features



- Electric Hi-Lo operation by foot bar
- Sleek design with rounded frame legs for safety
- Head section has face hole and plug
- Upholstered traction stool
- Adjustable feet for uneven surfaces
- 75mm retractable castors for safety and mobility
- Reliable TIMOTION motor
- Max traction of 10cm between second and third sections
- Height range from 52cm to 96cm in approx 30 seconds
- Padding thickness 5cm
- Foam Density: 36kg/m3
- Upholstery: Heavy duty PVC vinyl that is fire, stain, mildew, oil, water and wear resistant
- Warranty: 5 Years Construction, 3 Years Electrics
- Certification: CE, FDA, ISO 13485:2016
- Weight Capacity: 250KG



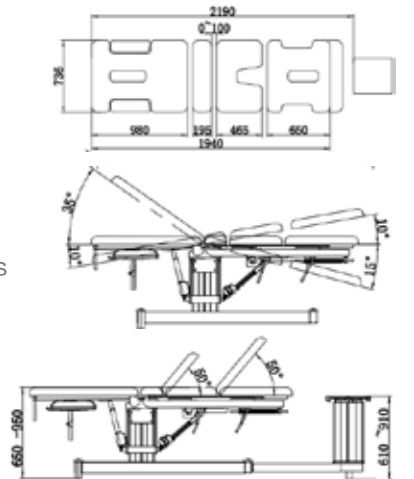
### Specification

197cm	70cm	52-96cm	-40° to +35°	0° to +70°	0-10cm	φ 75mm	82kgs	0.85	199x 74 x 58cm

### Features



- Electric Hi-Lo operation by handle switch
- Accurate foot brake for safety
- Head section has face hole and plug
- Removable padded wing armrests
- Adjustable traction platform and rope angle
- Universal wheels for safety and mobility
- Reliable column motor
- Max traction of 10cm between the 2nd and 3rd section
- Height range from 65cm to 95cm in approx 30 seconds
- Padding thickness 5cm
- Foam Density: 36kg/m3
- Upholstery: Heavy duty PVC vinyl that is fire, stain, mildew, oil, water and wear resistant
- Warranty: 5 Years Construction, 3 Years Electrics
- Certification: CE, FDA, ISO 13485:2016
- Weight Capacity: 250KG



### Specification

194cm	73.6cm	65-95cm	61-91cm	-10° to +35°	-15° to +10°	0° to +50°	0° to +50°	1.1	199 x 74 x 75cm





# 06

## Electric Tilt Table

---

EL12	Electric Hi-Lo & Tilt Table	-45-
EL12C	Electric Child Tilt Table	-46-
EL12D	Electric Tilt Table	-47-
EL12M	Electric Dynamic Tilt Table	-48-

---

# EL12

## ELECTRIC HI-LO & TILT TABLE



Our tilt table offers a simple out of the box solution for physiotherapists and in home care patients alike. This two section tilt table including patient straps, activity tray and individually adjustable foot plates will suit the most demanding rehabilitation regime and perform for the long term.

# EL12C

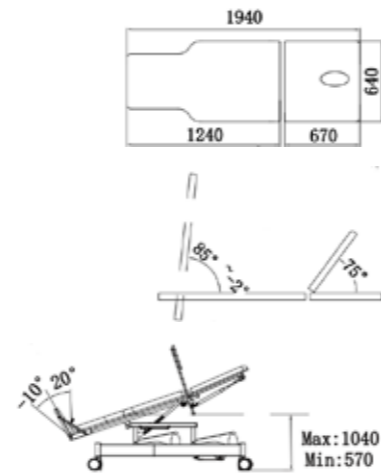
## ELECTRIC CHILD TILT TABLE



Specifically designed to cater for children of all ages through to young adults, these variable height child tilt tables feature dual leg fixation and a wide foot board with fixation facility for securing the feet.

### Features

- Electric Hi-Lo & tilt operation by handle switch
- Tilt angle inclinators included
- Activity tray & patient straps included
- Head section has face hole and plug
- Sleek design with rounded frame legs for safety
- Ground brake for uneven surfaces
- 125mm retractable castors for safety and mobility
- Reliable TiMOTION motor
- Height range from 57cm to 104cm
- Padding thickness 5cm
- Foam Density: 36kg/m<sup>3</sup>
- Upholstery: Heavy duty PVC vinyl that is fire, stain, mildew, oil, water and wear resistant
- Warranty: 5 Years Construction, 3 Years Electrics
- Certification: CE, FDA, ISO 13485:2016
- Weight Capacity: 250KG

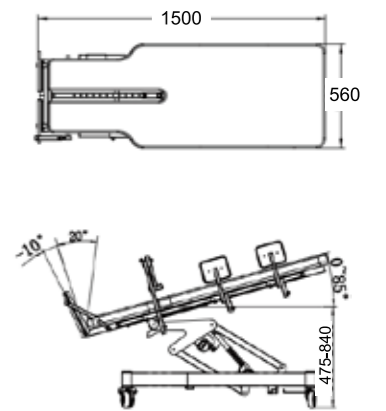


### Specification

194cm	64cm	57-104cm	0° to +75°	-2° to +85°	-10° to +20°	φ 125mm	110kgs	0.8	208 x 90 x 64cm

### Features

- Electric Hi-Lo & tilt operation by handle switch
- Tilt angle inclinators included
- Activity tray & patient straps included
- Head, waist and knee fasteners included
- Crotch support for height adjustment
- Sleek design with rounded frame legs for safety
- 125mm retractable castors for safety and mobility
- Reliable TiMOTION motor
- Height range from 47.5cm to 84cm
- Padding thickness 5cm
- Foam Density: 36kg/m<sup>3</sup>
- Upholstery: Heavy duty PVC vinyl that is fire, stain, mildew, oil, water and wear resistant
- Warranty: 5 Years Construction, 3 Years Electrics
- Certification: CE, FDA, ISO 13485:2016
- Weight Capacity: 250KG



### Specification

150cm	56cm	47.5-84cm	0° to +85°	-10° to +20°	φ 125mm	87kgs	0.69	162 x 82 x 51cm

# EL12D

## ELECTRIC TILT TABLE



Electric Tilt Table mainly used in the nervous system out of control caused by weakness, pain, spasm of patients, auxiliary training to rehabilitation purposes.

# EL12M

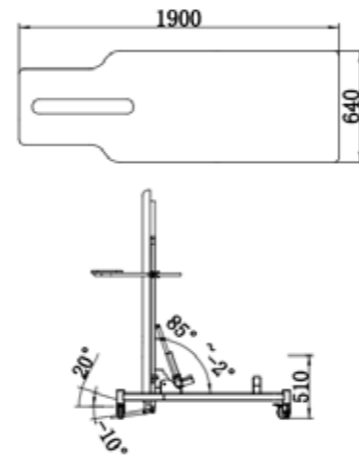
## ELECTRIC DYNAMIC TILT TABLE (not including software)

Dynamic Tilt Table is available in a range of configurations to optimize patient care and outcomes, for functional rehabilitation of handicapped or disabled patients and in cardiac assessments.



### Features

- Electric tilt operation by handle switch
- Tilt angle inclinator included
- Activity tray & patient straps included
- Sleek design with rounded frame legs for safety
- 125mm retractable castors for safety and mobility
- Accessories: adjustable belts (3pcs), adjustable foot plate, active table adjustable
- Reliable TiMOTION motor
- Padding thickness 5cm
- Foam Density: 36kg/m3
- Upholstery: Heavy duty PVC vinyl that is fire, stain, mildew, oil, water and wear resistant
- Warranty: 5 Years Construction, 3 Years Electrics
- Certification: CE, FDA, ISO 13485:2016
- Weight Capacity: 250KG

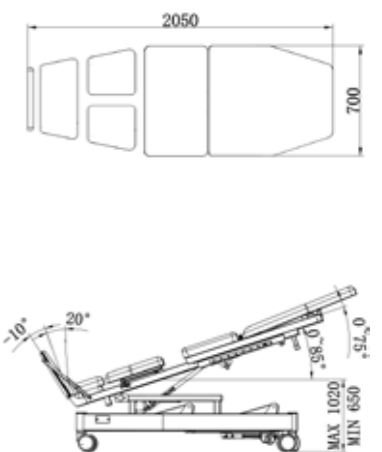


### Specification

cm	cm	cm	Angle of tilting	Angle of footrest	Padding thickness	mm	kg	m <sup>3</sup>	Packing size
190cm	64cm	51cm	-2° to +85°	-10° to +20°	5cm	φ 125mm	80kgs	1.16	215 x 90 x 60cm

### Features

- Electric Hi-Lo & tilt operation by handle switch
- Activity tray & patient straps included
- Removable upholstered traction stool & comfortable head cushion
- Optional support rod for software
- Sleek design with rounded frame legs for safety
- 125mm retractable castors for safety and mobility
- Reliable TiMOTION motor
- Height range from 65cm to 102cm
- Padding thickness 7cm
- Foam Density: 36kg/m3
- Upholstery: Heavy duty PVC vinyl that is fire, stain, mildew, oil, water and wear resistant
- Warranty: 5 Years Construction, 3 Years Electrics
- Certification: CE, FDA, ISO 13485:2016
- Weight Capacity: 250KG



### Specification

cm	cm	cm	Angle of backrest	Angle of tilting	Angle of footrest	mm	kg	m <sup>3</sup>	Packing size
205cm	70cm	65-102cm	0° to +75°	0° to +85°	-10° to +20°	φ 125mm	162kgs	1.43	195 x 94 x 78cm





# 07

## Electric Chiropractic Table

---

EL07	Chiropractic Manipulation Table	-51-
EL07B	Manipulation Chiropractic Table	-53-
EL08	Base Chiropractic Table	-54-
EL08B	Chiropractic Breakaway Table	-55-
ELT08F	Premium Chiropractic Table	-56-

---

# EL07

## CHIROPRACTIC MANIPULATION TABLE

This Chiropractic Manipulation Table is a versatile table providing flexibility for your practice. Designed for professionals to give mobilization, manipulation, massage and motion treatment. Multi-angle adjustment can provide convenience for rehabilitation physiotherapy. Unique tilt, inverted position and lower waist rotation, making the treatment approach more diversified.



### Features

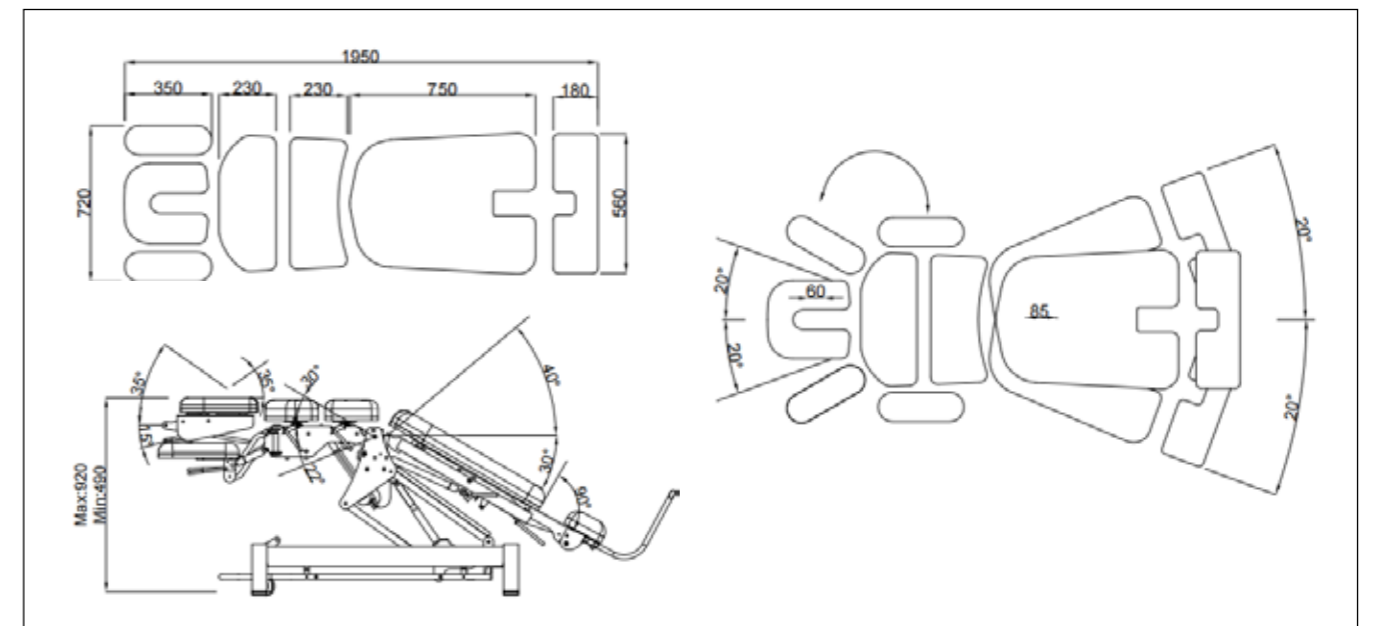
- Electric Hi-Lo operation by foot bar & angle adjustment by handle switch.
- Comfortable padded armrests
- Pneumatic tilting headrest  $-15^{\circ}$  to  $+35^{\circ}$
- Extendable padded footrest
- Two drop sections: Cervical, Thoracic
- Sleek design with rounded frame legs for safety
- Adjustable traction tool and can be able to lift up to 250kgs working weight from its lowest height.
- Reliable TIMOTION motor
- Height range from 49cm to 92cm
- Foam thickness 7cm; Foam density: 100kg/m<sup>3</sup>
- Upholstery: Heavy duty PVC vinyl that is fire, stain, mildew, oil, water and wear resistant
- Warranty: 5 Years Construction, 3 Years Electrics
- Certification: CE, FDA, ISO 13485:2016
- Weight Capacity: 250KG



- Special design of the lower body section can be lowered steplessly down
- 75mm retractable castors for safety and mobility
- This table can be for the waist, neck, shoulders, foot and other parts of the role of adjuvant therapy to do the syndrome.
- Chiropractic table use for orthopedics, rehabilitation, chiropractic, Chinese medicine, sports injury rehabilitation, sub-health studio
- Fire / stain / mildew / oil / water / wear resistant Med PVC

### Specification

cm	cm	cm	Angle of headrest	Cervical angle	Angle of lower limb	Angle of footrest	kg	m <sup>3</sup>	Packing size
195cm	56cm	49-92cm	$-15^{\circ}$ to $+35^{\circ}$	$-22^{\circ}$ to $+30^{\circ}$	$-30^{\circ}$ to $+40^{\circ}$	$0^{\circ}$ to $+90^{\circ}$	136kgs	1.06	205 x 74 x 70cm

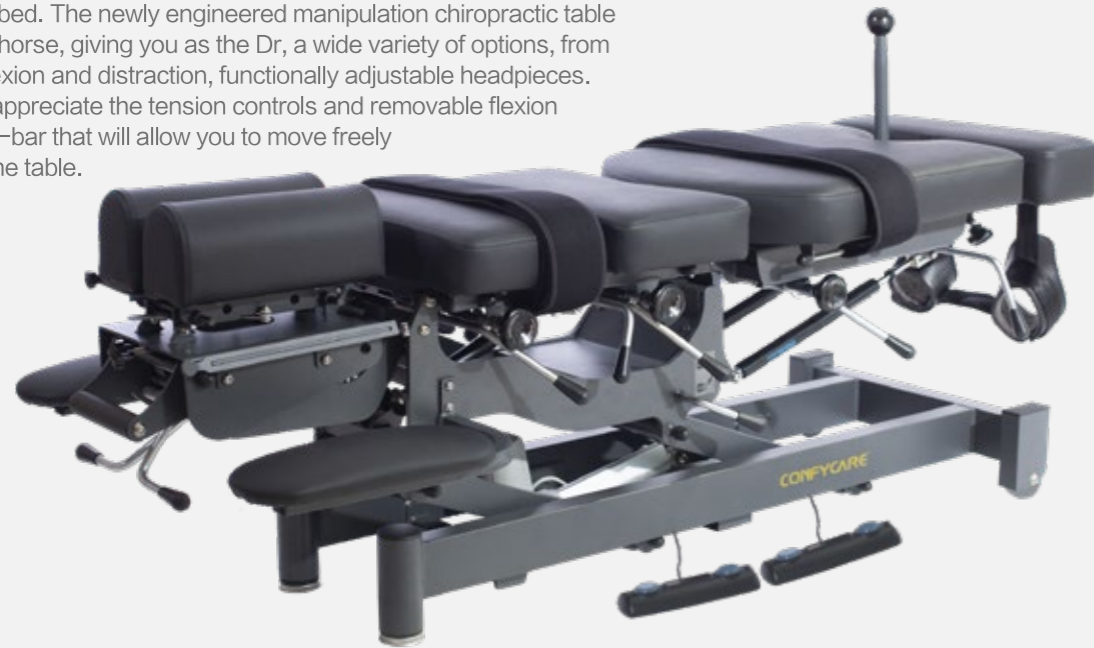




# EL07B

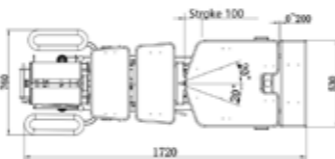
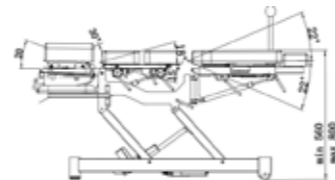
## MANIPULATION CHIROPRACTIC TABLE

The manipulation chiropractic table is our full house, packed with features bed. The newly engineered manipulation chiropractic table is a workhorse, giving you as the Dr, a wide variety of options, from drops, flexion and distraction, functionally adjustable headpieces. You will appreciate the tension controls and removable flexion control T-bar that will allow you to move freely around the table.



### Features

- Electric Hi-Lo operation and traction operation by foot switch
- Height and width adjustable padded headrest
- Auxiliary straps included
- Four drop sections: Cervical, Thoracic, Lumbar, Pelvic
- Abdominal breakaway design: chest section can be raised or lowered, making the treatment approach more diversified.
- This table has traction and can be used by people of different heights and be able to lift up to 250kgs working weight from its lowest height.
- Sleek design with two rounded frame legs and two fixed wheels
- Reliable TIMOTION motor; 75mm wheels
- Height range from 56cm to 80cm in approx 30 seconds
- Foam thickness 7cm; Foam density: 100kg/m<sup>3</sup>
- Upholstery: Heavy duty PVC vinyl that is fire, stain, mildew, oil, water and wear resistant
- Warranty: 5 Years Construction, 3 Years Electrics
- Certification: CE, FDA, ISO 13485:2016
- Weight Capacity: 250KG



### Specification

cm	cm	cm	Angle of headrest	Headrest tilt angle	Angle of chest plate	Angle of leg plate	kg	m <sup>3</sup>	Packing size
172cm	53cm	56-80cm	0° to +20°	0° to +30°	-15° to +18°	-22° to +22°	96kgs	1.15	182 x 83 x 76cm

# EL08

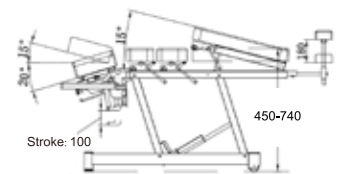
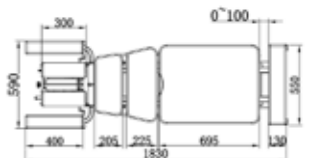
## BASE CHIROPRACTIC TABLE

This chiropractic drop table is a versatile cost effective table providing treatment flexibility for your practice. All Cervical, Thoracic, Lumbar & Pelvic drops by hand activation & tension.



### Features

- Electric Hi-Lo operation by foot switch
- Height and width adjustable padded headrest
- Height adjustable & extendable padded footrest
- Four drop sections: Cervical, Thoracic, Lumbar, Pelvic
- Sleek design with two rounded frame legs and two fixed wheels
- Reliable TIMOTION motor
- Height range from 45cm to 74cm in approx 30 seconds
- 75mm wheels
- Foam thickness 7cm
- Foam density: 100kg/m<sup>3</sup>
- Upholstery: Heavy duty PVC vinyl that is fire, stain, mildew, oil, water and wear resistant
- Warranty: 5 Years Construction, 3 Years Electrics
- Certification: CE, FDA, ISO 13485:2016
- Weight Capacity: 250KG



### Specification

cm	cm	cm	Angle of headrest	Angle of lumbar	Stroke of footrest	Height of footrest	kg	m <sup>3</sup>	Packing size
183cm	55cm	45-74cm	-20° to +15°	0° to +15°	0-10cm	0-18cm	87kgs	0.64	188 x 67 x 51cm



# EL08B

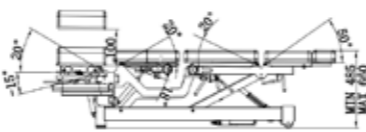
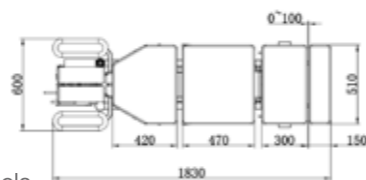
## CHIROPRACTIC BREAKAWAY TABLE

This special chiropractic table use a foot activation to load the manual drops for the adjustment of your patient. Chiropractic drop table use the high-quality durable and easy to clean medical professional PVC leather, provide more comfortable environmental health.



### Features

- Electric Hi-Lo operation by foot switch
- Height and width adjustable padded headrest
- Extendable padded footrest
- Three drop sections: Cervical, Thoracic, Lumbar
- Abdominal breakaway design: chest section can be raised or lowered, making the treatment approach more diversified.
- Sleek design with two rounded frame legs and two fixed wheels
- Reliable TiMOTION motor
- Height range from 48.5cm to 66cm in approx 30 seconds
- 75mm wheels
- Foam thickness 5cm
- Foam density: 100kg/m<sup>3</sup>
- Upholstery: Heavy duty PVC vinyl that is fire, stain, mildew, oil, water and wear resistant
- Warranty: 5 Years Construction, 3 Years Electrics
- Certification: CE, FDA, ISO 13485:2016
- Weight Capacity: 250KG



### Specification

183cm	51cm	48.5-66cm	-15° to +20°	-18° to +20°	0° to +20°	0° to +50°	92kgs	0.61	192 x 62 x 51cm

# ELT08F

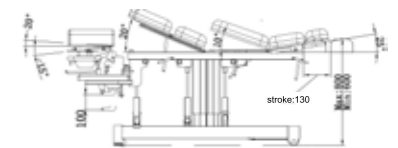
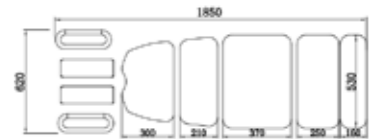
## PREMIUM CHIROPRACTIC TABLE

This Chiropractic table is our new premium table. Boasting a premium column lift eliminating any lifting mechanism. All Cervical, Thoracic, Lumbar and Pelvic drops are operated by foot activation with the tension done by hand. This allows easy activation for the practitioner. A premium quality & luxury product.



### Features

- Electric Hi-Lo operation by foot switch
- Height and width adjustable padded headrest
- Extendable padded footrest
- Luxurious and comfortable table
- Four drop sections: Cervical, Thoracic, Lumbar, Pelvic
- Sleek design with two rounded frame legs and two fixed wheels
- Reliable TiMOTION column motor
- Height range from 60cm to 80cm in approx 23 seconds
- 75mm wheels
- Foam thickness 7cm
- Foam density: 100kg/m<sup>3</sup>
- Upholstery: Heavy duty PVC vinyl that is fire, stain, mildew, oil, water and wear resistant
- Warranty: 5 Years Construction, 3 Years Electrics
- Certification: CE, FDA, ISO 13485:2016
- Weight Capacity: 250KG



### Specification

185cm	53cm	60-80cm	-15° to +20°	0° to +20°	0° to +10°	0° to +25°	121kgs	1.06	205 x 74 x 70cm

## Color of Vinyl

Medical Grade Heavy Duty PVC Vinyl



SKY BLUE L033



CHARCOAL GREY L031



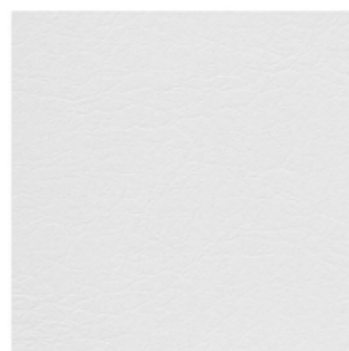
NAVY BLUE L019



BLACK L003



CEMENT GREY L032



WHITE L006

## Color of Table Frame



Code: 9002

Light grey (standard color)



Code: 5030

White (option)



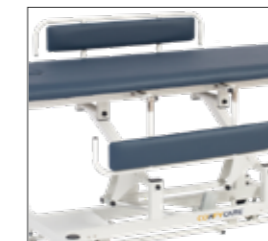
Code: 0096

Dark grey (option)

## Optional Accessories



Stainless steel side rails



Padded side rails



Belts



Removable paper roll holder



Safety lock



125mm central lock castors  
4PCS/SET



# 08

## Electric Hospital Bed

---

JF-D39	3 Function Hospital Bed	-61-
JF-D49	5 Function Hospital Bed	-62-
JF-D69Z	6 Function Standing Hospital Bed	-63-

---



# JF-D39

## 3 FUNCTION HOSPITAL BED



A strong, reliable and high quality three function hospital bed. Well featured including removable boards, removable ABS side rails, drainage bag holders, iv pole & 125mm central lock castors. An ideal product for aged care and hospital facilities.

# JF-D49

## 5 FUNCTION HOSPITAL BED



A strong, reliable and high quality five function ICU hospital bed. Well featured including removable boards, removable ABS side rails, drainage bag holders, iv pole & 125mm central lock castors. An ideal product for higher needs patients and longer term patient care.

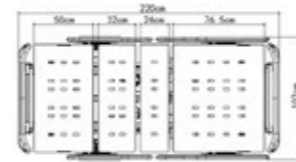
**Code: JF-D49-300**

Up to 300kg bariatric lifting capacity

### Features



- Electric operation by handset with integral function lockout
- Electrically operated backrest, height & knee break angle
- Removable head & foot board
- Mattress platform length: 195cm
- Mattress platform width: 90cm
- Four ABS safety side rails
- Four drainage bag holders on both sides
- Heavy duty IV pole
- Auto contour simultaneous adjustment of backrest & knee break
- 125mm heavy duty central locking castors
- 3 reliable TiMOTION motor
- Height range from 44cm to 74cm
- SWL: 250KG
- Warranty: 3 Years
- Certification: CE, FDA, ISO 13485:2016



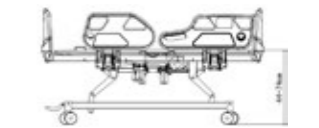
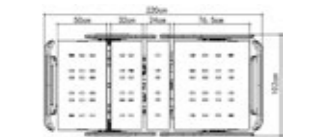
### Specification

Length	Width	Height	Angle of backrest	Angle of knee break	Angle of leg board	Castor	Weight	Volume	Packing size
220cm	102cm	44-74cm	0° to +73°	0° to +30°	0° to +10°	φ 125mm	140kgs	1.6	222 x 113 x 65cm

### Features



- Electric operation by handset with integral function lockout
- Electrically operated backrest, height & knee break angle
- Backrest manual CPR release on both sides
- Trendelenburg & reverse trendelenburg: 0° to +13°
- Removable head & foot board
- Patient handset & nurse control panel
- Battery backup
- Four ABS safety side rails
- Four drainage bag holders on both sides
- Heavy duty IV pole
- Auto contour simultaneous adjustment of backrest & knee break
- 125mm heavy duty central locking castors
- 4 reliable TiMOTION motor
- Height range from 44cm to 74cm
- SWL: 250KG
- Warranty: 3 Years
- Certification: CE, FDA, ISO 13485:2016



### Specification

Length	Width	Height	Angle of backrest	Angle of knee break	Angle of leg board	Castor	Weight	Volume	Packing size
220cm	102cm	44-74cm	0° to +75°	0° to +35°	0° to +10°	φ 125mm	155kgs	1.6	222 x 113 x 65cm

# JF-D69Z

## 6 FUNCTION STANDING HOSPITAL BED

A strong, reliable and high quality six function standing ICU hospital bed. Well featured including removable boards, removable ABS side rails, drainage bag holders, IV pole & 125mm central lock castors. An ideal product for high needs patients requiring long term treatment with the standing function allowing treatment of the nervous system with weakness, pain, muscle spasm, and for auxiliary rehabilitation purposes such as hemiplegia, paraplegia and traumatic brain injury and other severe patients to resume standing training.



### Features

- Electric operation by hand switch with integral function lockout
- Electrically operated backrest, height & knee break angle, standing angle
- Auto contour simultaneous adjustment of backrest & knee break
- Backrest manual CPR release on both sides
- Removable head & foot board
- Trendelenburg & reverse trendelenburg: 0° to +16° & 0° to +13°
- Standing angle: 0° to +85°
- Mattress platform length: 195cm; Mattress platform width: 90cm
- Patient handset & nurse control panel
- Four ABS safety side rails, height of side rails 350mm
- Four drainage bag holders on both sides
- Durable patient belts; heavy duty IV pole
- 125mm heavy duty central locking castors
- Retractable fifth wheel under frame
- 6 reliable TiMOTION motor
- Warranty: 3 Years
- Certification: CE, FDA, ISO 13485:2016



### Specification

cm	cm	cm	Angle of backrest	Angle of knee break	Angle of leg board	°	kg	m <sup>3</sup>	Packing size
215cm	110cm	52-76cm	0° to +75°	0° to +35°	0° to +22°	0° to +16° 0° to +13°	195kgs	1.8	219 x 113 x 72cm





Standard handle switch



Standard nurse control panel



Durable patient belts



Foldable ABS side rails



Height adjustable IV pole



Removable head & foot board



Standard battery backup



Real-time angle display



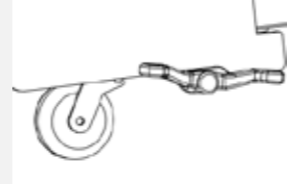
Manual emergency release



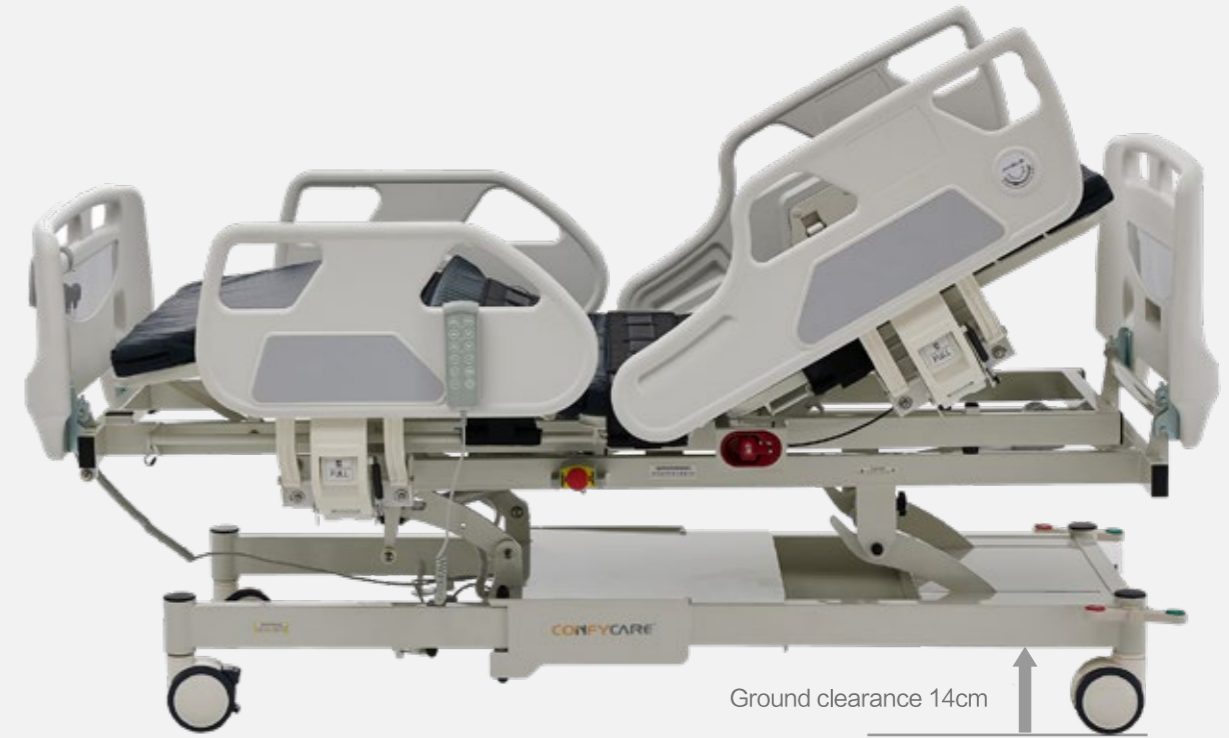
Manual CPR release



Central brake system



Retractable fifth wheel



Ground clearance 14cm

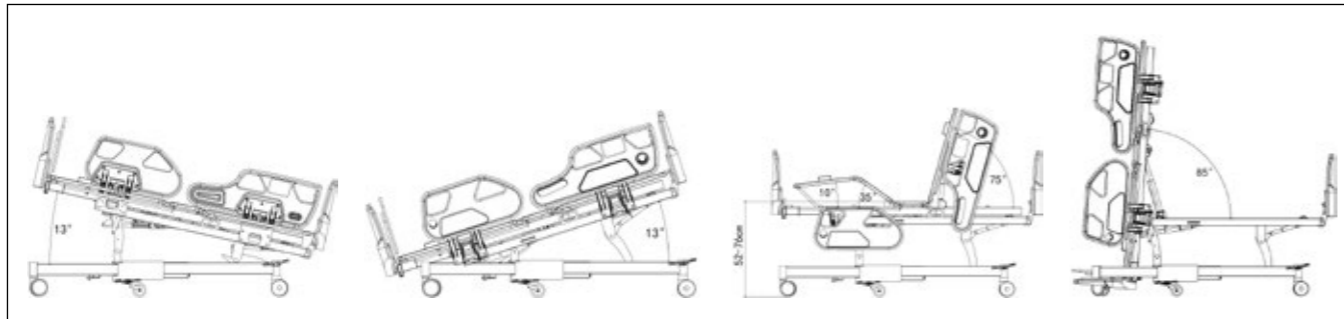
- High density waterproof and mould proof mattress with PU cover
- ABS plastic bottom chassis and central brake system
- Multi-segment free adjustment of the body to achieve CPR, semi-recumbent, sitting, upright
- Standard battery backup
- Guardrails can be moved up & down and can continue to work for more than 15 minutes without power
- Linear motors with min IPX4 protection for quiet operation
- Voltage in 100-240V, 50/60Hz
- Current in Max 3.15A
- Duty rating 10% max, 2mins of continuous use followed by 18mins not in use
- Safety standards BS EN 60601-1:2006 BS EN 60601-2-52:2010
- EMC BS EN 60601-1-2:2002



### Hospital Bed Mattress

Waterproof PU cover  
(50+32+24+77)\*90\*10cm  
Dried bean curd shaped foam  
10cm & 15cm thickness optional

### Dimension



### One-click heart chair mode:

Reduce cardiac ejection pressure and reduce cardiac load





# 09

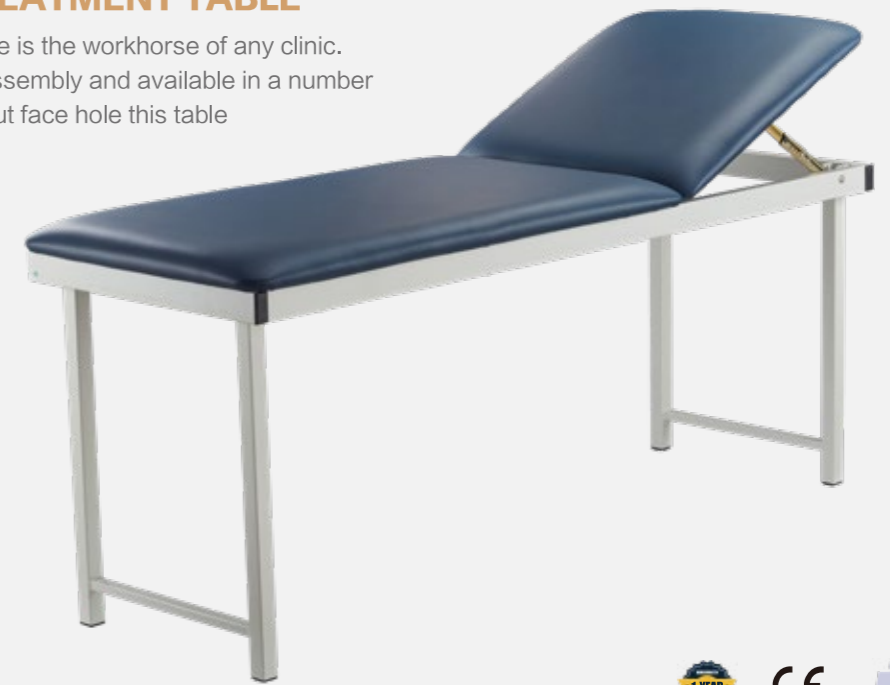
## Fixed Examination Table

FIX-MT2	Free Standing Treatment Table	-68-
FIX-MT2D3	Free Standing Treatment Table With Drawers	-68-
FIX-MT4	Fixed Examination Table	-69-
CFAL04F	Aluminum Portable Massage Table	-69-
CFAL05F	Aluminum Portable Massage Table	-70-
CFMC03A	Portable Massage Chair	-70-

### FIX-MT2

#### FREE STANDING TREATMENT TABLE

Our free standing treatment table is the workhorse of any clinic. Flat packed with a two minute assembly and available in a number of colors choices with and without face hole this table is a popular choice.



Length: 195cm  
 Width: 70cm  
 Height: 70cm  
 Foam thickness: 5cm  
 Backrest angle: 0° to 75°



### FIX-MT2D3

#### FREE STANDING TREATMENT TABLE WITH DRAWERS

This three drawer free standing treatment table is the workhorse of any clinic. Flat packed with a simple & quick assembly this table is a popular choice.



Length: 195cm  
 Width: 70cm  
 Height: 70cm  
 Foam thickness: 5cm  
 Backrest angle: 0° to 75°  
 Drawer: 3pcs



# FIX-MT4

## FIXED EXAMINATION TABLE

This table is perfect for spinal adjustments and other treatments of the musculoskeletal system, and designed with a high strength. Hight grey power-coated steel frame, deluxe PU vinyl and high density foam offer superior comfort.



Length: 185cm  
Width: 65cm  
Height: 67cm  
Foam thickness: 5cm



# CFAL05F

## ALUMINUM PORTABLE MASSAGE TABLE

Aluminium framed portable massage table with an auto lock cabling system, rounded corners and a multi density 5cm foam system. A great choice for mobile practitioners.



Length: 185cm  
Width: 66cm  
Height: 65-80cm  
Folded size: 93x67x17cm  
Weight capacity: 220kg



# CFAL04F

## ALUMINUM PORTABLE MASSAGE TABLE

This table is provided with enough aluminum material for enough strong using. It is a portable folding massage table. It requires no tools for assembly and folds up easily.



Length: 185cm  
Width: 70cm  
Height: 63-84cm  
Foam thickness: 5cm  
Folded size: 93x71x22cm



# CFMC03A

## PORTABLE MASSAGE CHAIR

Perfect for on the go practitioners our strong & luxurious portable massage chair requires no tools for assembly and folds up easily.



Open size: 54x76x120-127cm  
Folded size: 54x29x118cm  
Weight capacity: 180kg



# 10

## Medical Stool

MA03	Round Stool	-72-
MA04	Saddle Stool	-72-
MA07	Saddle Stool with Foot Rest	-72-
MA08	Round Stool with Foot Rest	-72-
MA13BR	Round Stool with Backrest	-74-
MA14BR	Saddle Stool with Backrest	-74-
MA15AR	Round Stool with Armrest	-74-
SST	Stainless Steel Single Step	-75-
DST	Stainless Steel Double Step	-75-

### MA03 ROUND STOOL

A great value round stool suitable for many applications and practices.

Adjustable height: 49–63cm  
Cushion diameter: 35cm  
Foam thickness: 6cm  
Weight capacity: 160kg



### MA04 SADDLE STOOL

A great value saddle stool suitable for many applications and practices.

Adjustable height: 49–63cm  
Cushion diameter: 35cm  
Foam thickness: 6cm  
Weight capacity: 160kg



### MA07 SADDLE STOOL WITH FOOT REST

A premium saddle stool with a height adjustable foot ring and strong base.

Adjustable height: 49–63cm  
Cushion diameter: 35cm  
Foam thickness: 6cm  
Base: 56cm  
Weight capacity: 160kg  
Adjustable height foot ring



### MA08 ROUND STOOL WITH FOOT REST

A premium round stool with a height adjustable foot ring and strong base.

Adjustable height: 49–63cm  
Cushion diameter: 35cm  
Base: 56cm  
Foam thickness: 6cm  
Weight capacity: 160kg  
Adjustable height foot ring





# New Range Medical Stools



## Round Stool with Backrest

The round stool with backrest features a padded seat/backrest upholstered with premium grade fire retardant vinyl and memory foam for extra comfort.

### Specification

Seat height	47-63cm
Five star feet diameter	58cm
Height of backrest	26-39cm
Front & back angle of backrest	90° -115°
Cushion diameter	40cm

MA13BR



## Saddle Stool with Backrest

The saddle stool is recommended for the following environments: laboratory, hospital, industry, workshop, clean room and healthcare.

### Specification

Seat height	47-63cm
Five star feet diameter	58cm
Height of backrest	23-38cm
Front & back angle of backrest	90° -115°
Front & back angle of cushion	0° -10°
Cushion diameter	40x41cm

MA14BR



## Round Stool with Armrest

The round stool is equipped with 360 degree rotating armrest, easy to move. Personalized innovative design, movable rotating seat, release leg nerves.

### Specification

Seat height	48-64cm
Five star feet diameter	58cm
Height of armrest	23-31cm
Rotation angle of armrest	0-360°
Cushion diameter	40cm

MA15AR



# SST

## STAINLESS STEEL SINGLE STEP

Perfect for any examination table. This sturdy single step stool is made from 1" stainless steel tubing with reinforced rubber tips & a non slip ribbed rubber platform.



Stainless steel frame  
Non-slip ribbed rubber platform  
Reinforced rubber tips  
Manufactured with 1" steel tubing  
Overall size: 455x245x200mm (LxWxH)  
Weight capacity: 150KG

# DST

## STAINLESS STEEL DOUBLE STEP

Perfect for any examination table. This sturdy double step stool is made from 1" stainless steel tubing with reinforced rubber tips & a non slip ribbed rubber platform.



Stainless steel frame  
Non-slip ribbed rubber platform  
Reinforced rubber tips  
Manufactured with 1" steel tubing  
Overall size: 400x550x470mm (LxWxH)  
First step: 250mm  
Second step: 220mm  
Weight capacity: 150KG

# 11

## Medical Accessories

---

Aluminium Medical Screen	-77-
Stainless Steel Trolley	-78-
Medical ABS Trolley	-78-

---

# Aluminium Medical Screen



Meditroll medical screen is made of aluminium alloy and A+ antibacterial plate. It is generally used in hospital wards, playing the role of environmental protection, safety, privacy, pollution resistance, space saving, and sanitation.

Customized size and colors are acceptable

- White 
- Blue 
- Grey 
- Yellow 



-  Environmental protection material
-  Corrosion resistance
-  Easy to clean
-  Dirt resistant

# Stainless Steel Trolley

MT00



Without drawer  
Size: 490\*490\*900mm

MT01



Single drawer  
Size: 490\*490\*900mm

MT02



Double drawer  
Size: 490\*490\*900mm

Three heights available

## Specification



Item No.	NUMBER OF FANS	LENGTH (CM)	HEIGHT (CM)	PACKAGE DIMENSION (CM)
YZSC1214	5	120	145	1480*320*125 645*475*185
YZSC1514	6	150	145	1480*320*150 645*475*185
YZSC1814	7	180	145	1480*320*175 645*475*185
YZSC2114	8	210	145	1480*320*200 645*475*185
YZSC1216	5	120	165	1680*320*125 645*475*185
YZSC1516	6	150	165	1680*320*150 645*475*185
YZSC1816	7	180	165	1680*320*175 645*475*185
YZSC2116	8	210	165	1680*320*200 645*475*185
YZSC1218	5	120	185	1880*320*125 645*475*185
YZSC1518	6	150	185	1880*320*150 645*475*185
YZSC1818	7	180	185	1880*320*175 645*475*185
YZSC2118	8	210	185	1880*320*200 645*475*185

# ABS Medical Trolley

TRM02



ABS treatment trolley  
double drawer  
Size: 670\*500\*900mm

EMG05



ABS emergency trolley  
five drawers  
Size: 670\*500\*1000mm

ANS05



ABS anesthesia trolley  
five drawers  
Size: 670\*500\*1000mm





A VOTRE SERVICE DEPUIS 1995

# HFS GROUP

*2024 Product Catalogue  
Electric Treatment Table Manufacture*

HFS Group  
Route de Taillepied 44  
1095 Lutry  
+41 21 503 57 67  
direction@healthsport.ch  
healthsport.ch



ISO 13485