



# General Catalogue

**Innovative  
solutions  
for hospital  
mobility**





CFS Italia products are made in compliance with ISO regulations and undergo thorough tests to ensure safe use in hospital environments.

Our furniture complies with multiple standards and regulatory requirements, such as: CE marking, CATAS certification, and ISO certification.

## Certificates



## Company

CFS Italia designs and manufactures healthcare equipment and furniture with a design that combines functionality, comfort, and aesthetics.

With over 25 years of experience, we work with public and private facilities, nursing homes, hospitals, and rehab facilities to create welcoming and practical environments, where the well-being of guests and patients comes first.

## Design

Each project by CFS Italia starts with a careful evaluation of the needs of the facility. We plan on-site visits to analyze the spaces in detail and listen to the needs of the medical & nursing staff and their patients, offering tailor-made solutions.

We customize every aspect, from colors to fabrics, to help internal management and create a welcoming atmosphere that is pleasing for patients, visitors, and staff.

## Production

Control of the production process, selection of materials, attention to detail, customization, and listening: these are the pillars of our company's philosophy.

These principles guide the creation of tailor-made hospital furniture and equipment to fully meet each client's specific requirements. CFS Italia takes care of every detail of the project: from design phase to after-sales assistance.

***“The difference between something good and something great is attention to detail.”***

Charles R. Swindoll

# Index

---

<b>Create your custom trolley</b>	4
List of Materials	6
Painted steel	10
Painted steel ISO	16
Technopolymer	28
Technopolymer ISO	36
Aluminium	42
Aluminium ISO	51
Baydur	56
Stainless Steel	62

---

<b>Accessories</b>	68
--------------------	----

---

<b>Pre-configured trolleys</b>	72
Emergency	74
Medication	84
Treatment and Procedure	94
Anesthesia	112
Collection and Storage	122
Medical Records	134
Isolation	144
Paediatric	150
Phlebotomy	156

---

<b>Furniture</b>	162
Service	164
Linen & Laundry	172
OT & Sterilization	182
Patient Transfer	190
Patient Care	196

---

# Create your custom trolley

Trolleys by CFS Italia can be customized according to the needs of the healthcare staff & the hospital requirements. We believe that customization of materials, dimensions, frame & accessories is the key to obtain a functional and long-lasting product.

Or, choose one of our  
**pre-configured trolleys.**

From page 72



1

**Materials**

2

**Sizes**

3

**Internal structure**

4

**Accessories**

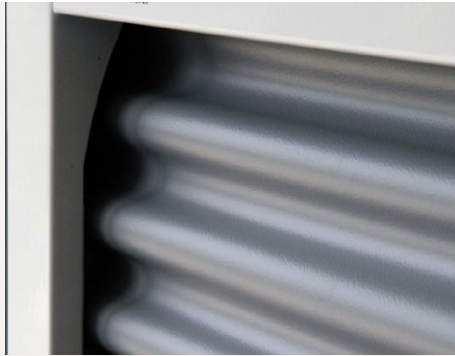


List of  
**Materials**



**Painted steel**

*From page 8*



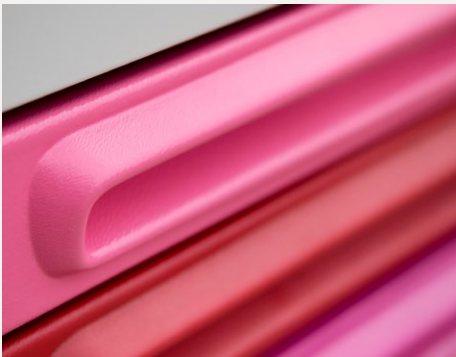
**Painted steel ISO**

*From page 17*



**Technopolymer**

*From page 29*



**Technopolymer ISO**

*From page 39*



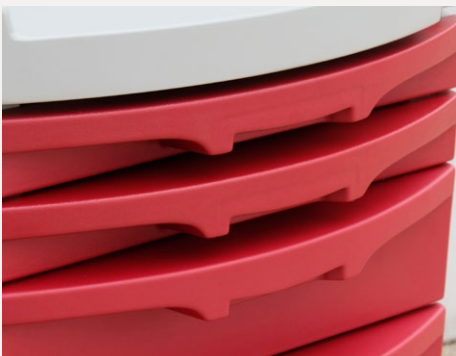
**Aluminium**

*From page 45*



**Aluminium ISO**

*From page 53*



**Baydur**

*From page 59*



**Stainless steel**

*From page 65*





Material

# Painted steel

A solution that combines design and durability, thanks to a protective coating against corrosion and deterioration. Available in a variety of colours, it fits any modern hospital environment like a glove.

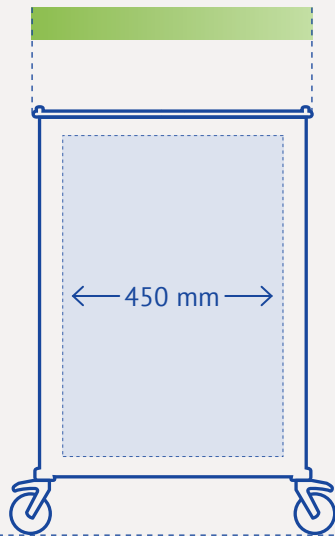


# Widths

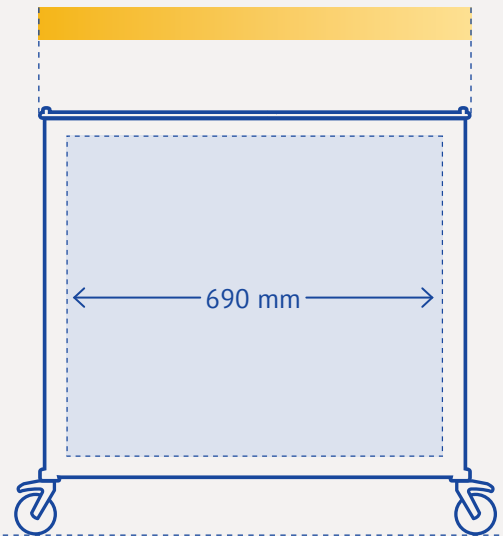
## Painted steel



**STANDARD**  
L 650 mm

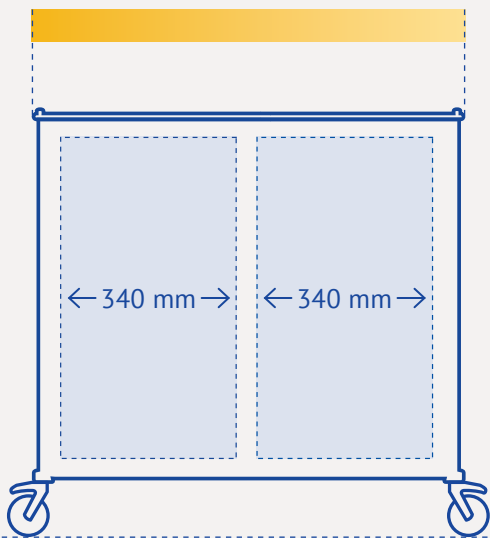


**LARGE**  
L 960 mm

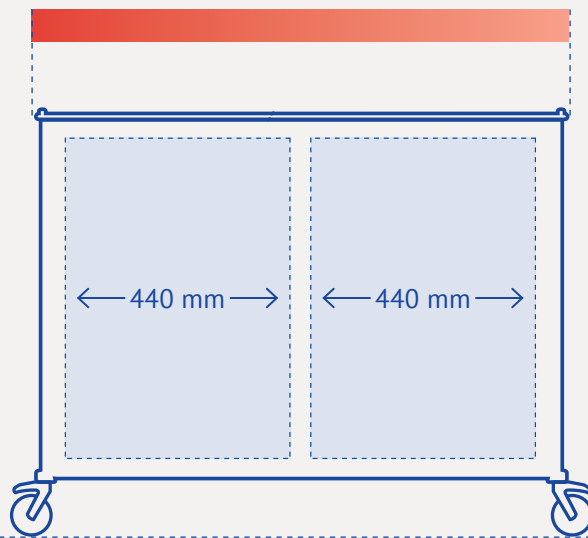


<b>Columns</b>	1	1
<b>Trolley width</b>	650 mm	960 mm
<b>Drawer compartment width</b>	450 mm	690 mm
<b>Total depth including bumper</b>	600 mm	

**LARGE**  
L 960 mm



**EXTRA LARGE**  
L 1200 mm



2

960 mm

340 mm

2

1200 mm

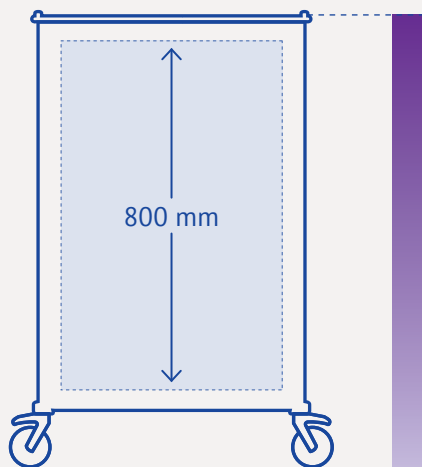
440 mm

# Heights

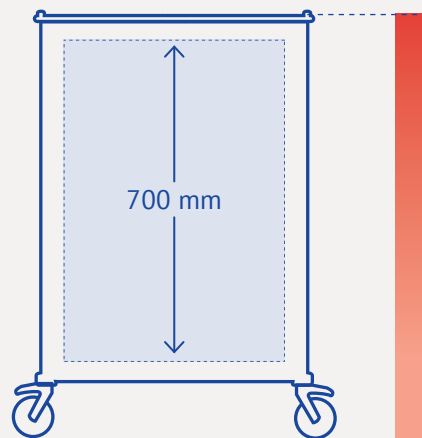
## Painted steel



**HIGH**  
H 1060 mm



**MID**  
H 960 mm



Trolley height

1060 mm

960 mm

Drawer compartment height

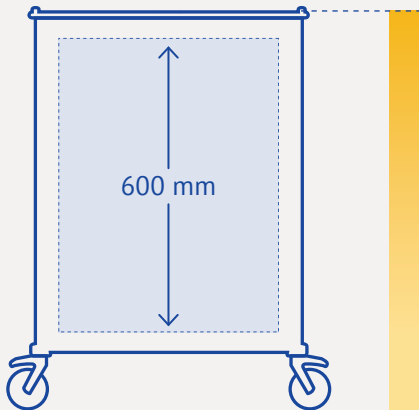
800 mm

700 mm

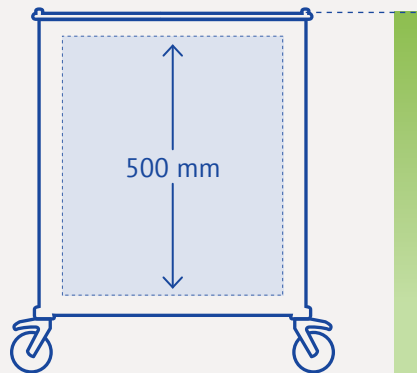
Total depth including bumper

600 mm

**LOW**  
H 860 mm



**ULTRA LOW**  
H 760 mm



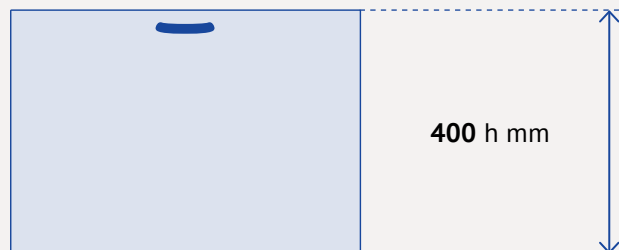
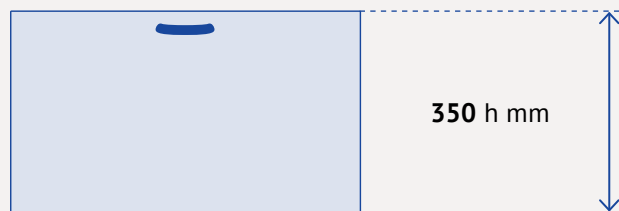
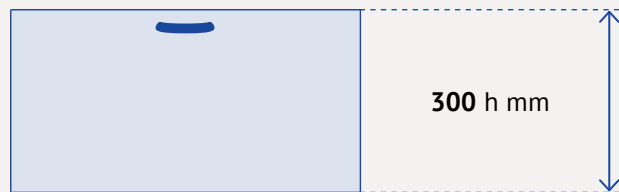
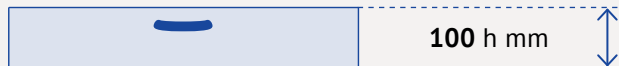
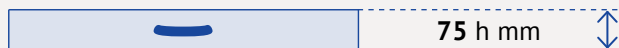
860 mm

600 mm

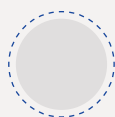
760 mm

500 mm

## Internal structure Painted steel



## Drawer colors



GREY



BLUE



GREEN



YELLOW



ORANGE



RED



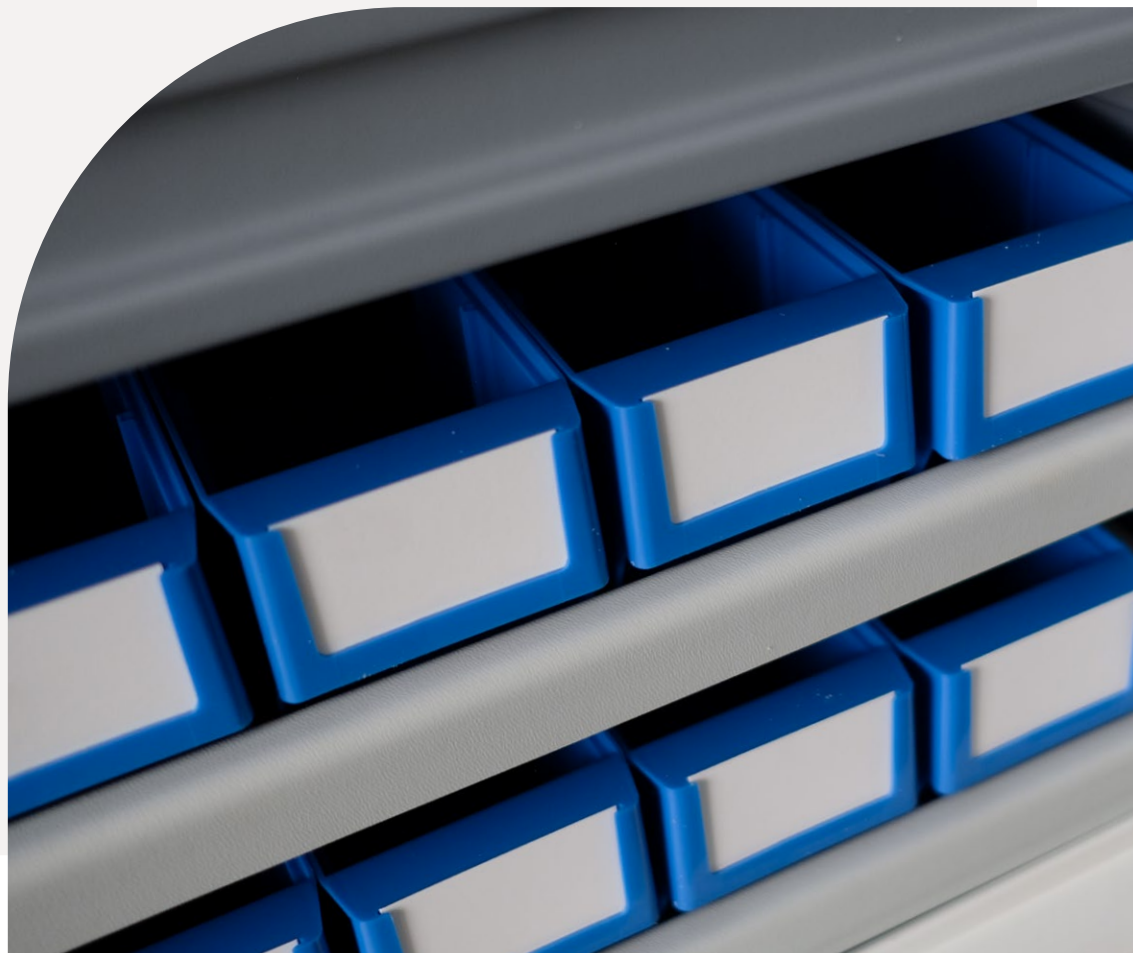




Material


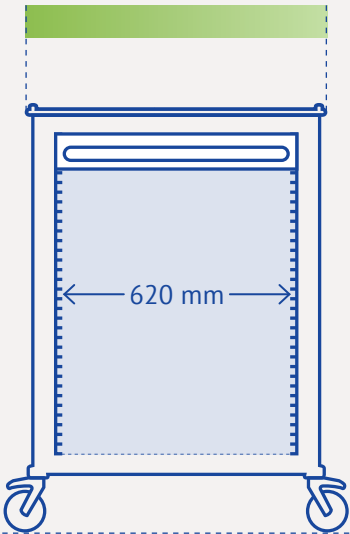
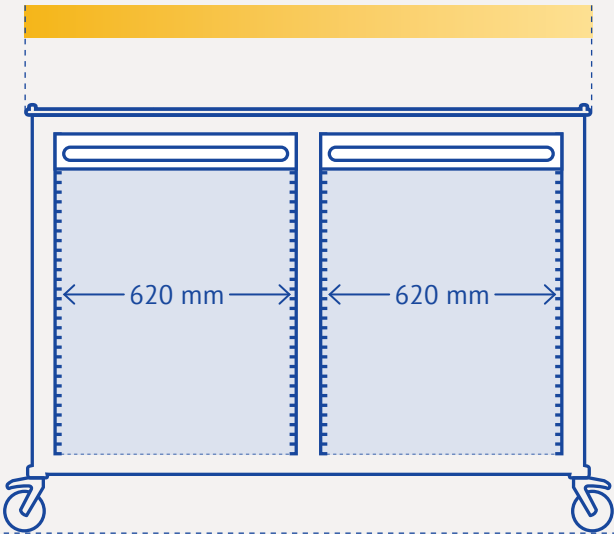
## Painted steel ISO

A solution that combines design and durability, thanks to a protective coating against corrosion and deterioration. Available in a variety of colours, it fits any modern hospital environment like a glove.

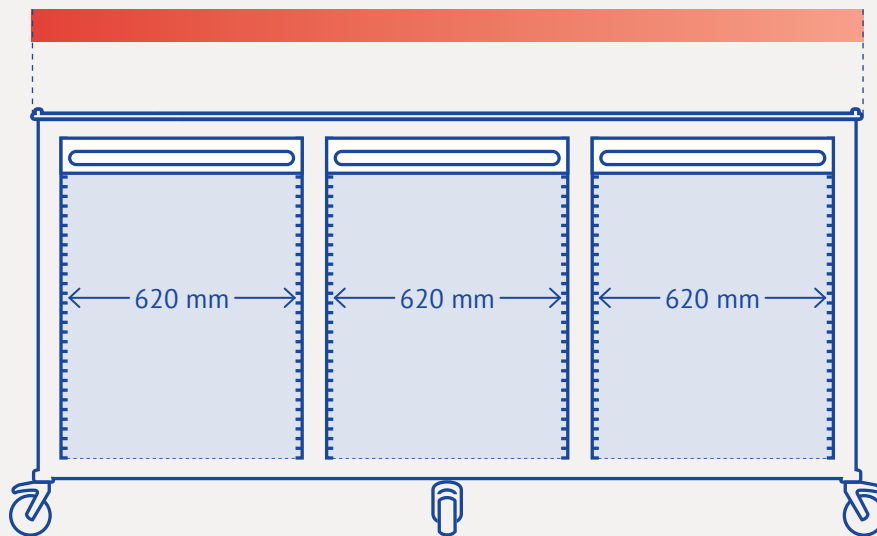


## Widths

# Painted steel ISO 600

	<b>SINGLE MODULE</b> <b>L 700 mm</b>	<b>DOUBLE MODULE</b> <b>L 1400 mm</b>
		
<b>Columns</b>	1	2
<b>Trolley width</b>	700 mm	1400 mm
<b>Drawer compartment width</b>	620 mm	620 mm
<b>Total depth including bumper</b>	500 mm	

**TRIPLE MODULE**  
**L 2100 mm**



3

2100 mm

620 mm

# Heights

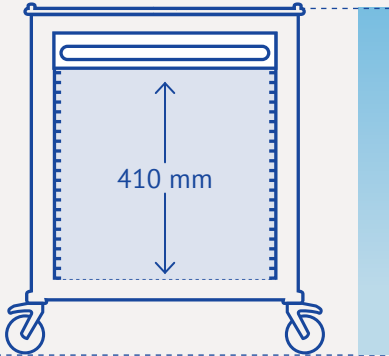
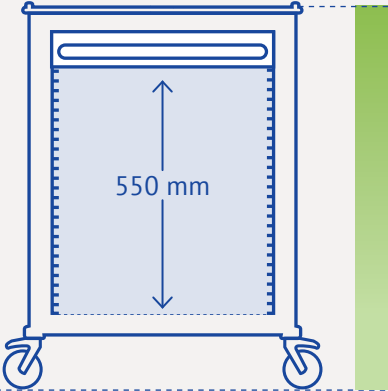
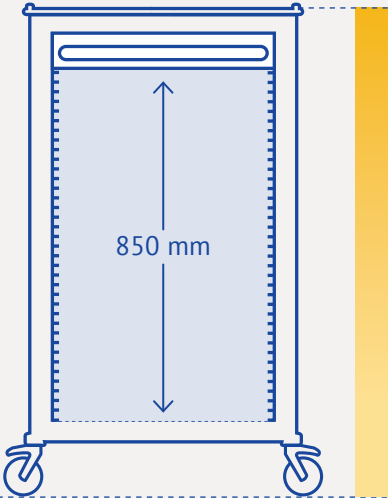
## Painted steel ISO 600

	<b>HIGH</b> <b>H 1860</b>	<b>TALL</b> <b>H 1570</b>
		
Insertion units	35	26
Trolley height	1860 mm	1570 mm
Drawer compartment height	1510 mm	1210 mm
Total depth including bumper	500 mm	

**MID**  
H 1200 mm

**LOW**  
H 910 mm

**ULTRA LOW**  
H 810 mm



19

11

8

1200 mm

910 mm

810 mm

850 mm

550 mm

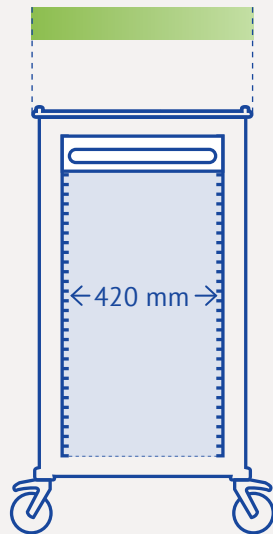
410 mm

## Widths

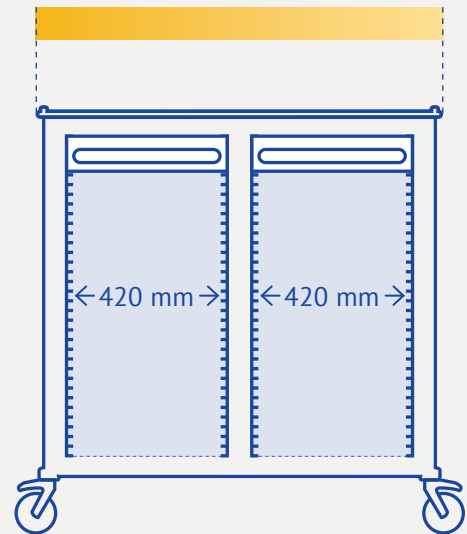
# Painted steel ISO 400



**SINGLE MODULE**  
L 500 mm

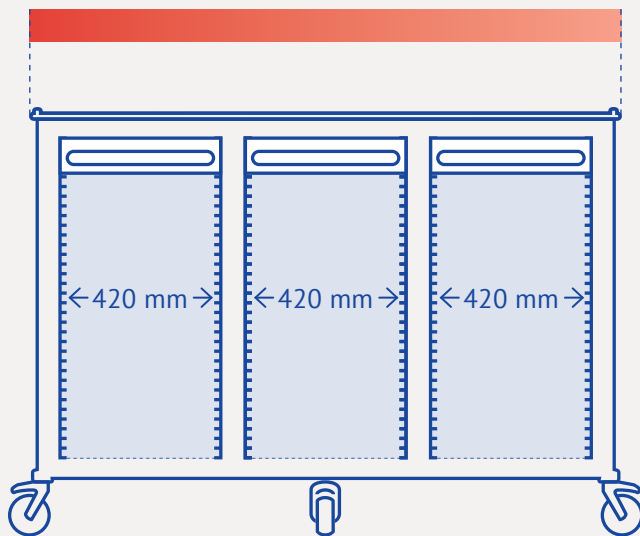


**DOUBLE MODULE**  
L 1000 mm



<b>Columns</b>	1	2
<b>Trolley width</b>	500 mm	1000 mm
<b>Drawer compartment width</b>	420 mm	420 mm
<b>Total depth including bumper</b>	700 mm	

**TRIPLE MODULE**  
**L 1500 mm**



3

1500 mm

420 mm

# Heights

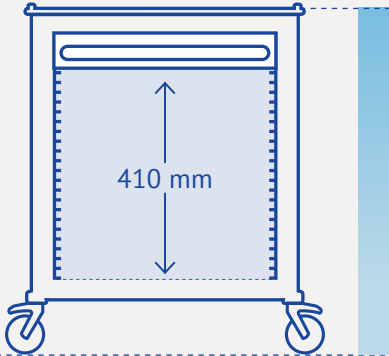
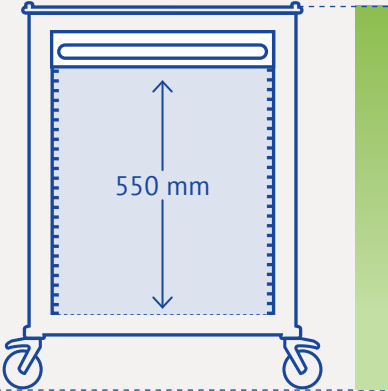
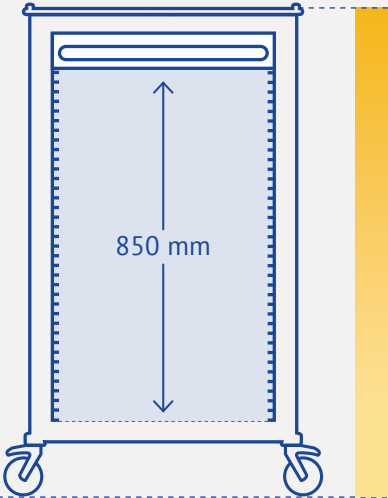
## Painted steel ISO 400

	<p><b>HIGH</b> H 1860 mm</p> 	<p><b>TALL</b> H 1570 mm</p> 
<p><b>Insertion units</b></p>	<p>35</p>	<p>26</p>
<p><b>Trolley height</b></p>	<p>1860 mm</p>	<p>1570 mm</p>
<p><b>Drawer compartment height</b></p>	<p>1510 mm</p>	<p>1210 mm</p>
<p><b>Total depth including bumper</b></p>	<p>700 mm</p>	

**MID**  
H 1200 mm

**LOW**  
H 910 mm

**ULTRA LOW**  
H 810 mm



19

11

8

1200 mm

910 mm

810 mm

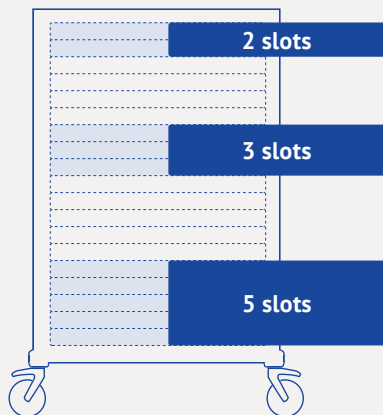
850 mm

550 mm

410 mm

## Internal structure

# Painted steel ISO



This trolley is available with:

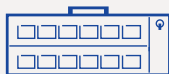
- Roll door
- Glass door
- No door

### ISO drawers



Height	70 mm	2 slots
	140 mm	5 slots
	210 mm	6 slots
	280 mm	7 slots

### Cassette



Height	2 rows	6 slots
	3 rows	8 slots
	4 rows	10 slots

### ISO baskets



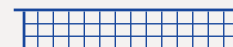
50 mm	2 slots
100 mm	3 slots
200 mm	5 slots

### Unit-dose tray



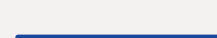
100 mm	3 slots
--------	---------

### ISO wire baskets



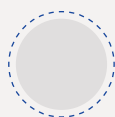
100 mm	3 slots
200 mm	5 slots

### Removable shelf



10 mm	1 slot
-------	--------

## Drawer colors



GREY



BLUE



GREEN



YELLOW



ORANGE



RED







Material

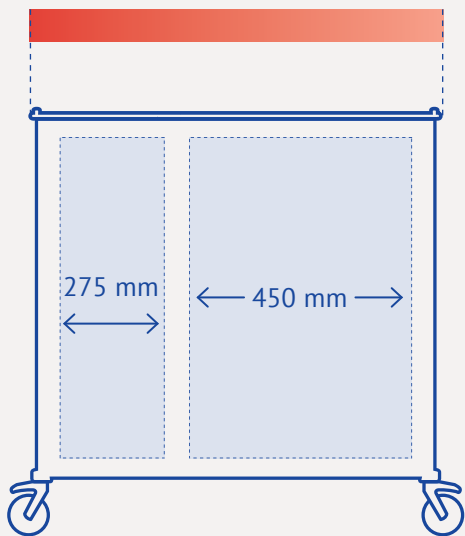
# Technopolymer

A strong & durable plastic material, a great alternative to metallic materials. We choose technopolymer in hospital environments because it is light, easy to clean & disinfect, and its high resistance to impact and chemical agents.

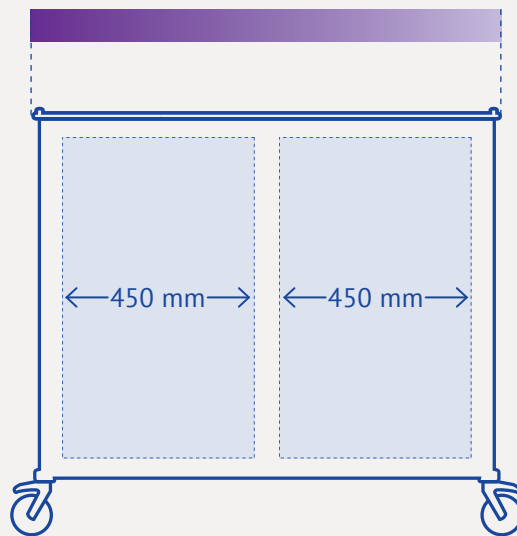




**LARGE**  
L 1100 mm



**EXTRA LARGE**  
L 1250 mm



2

1100 mm

275 mm / 450 mm

2

1250 mm

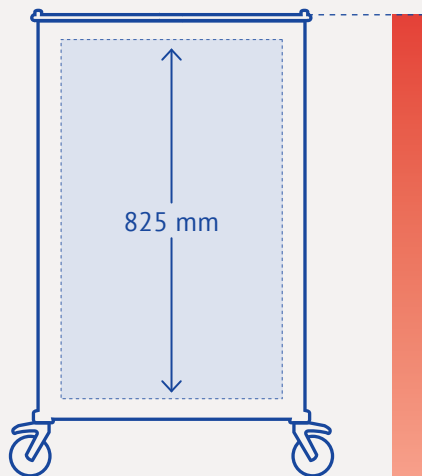
450 mm

# Heights

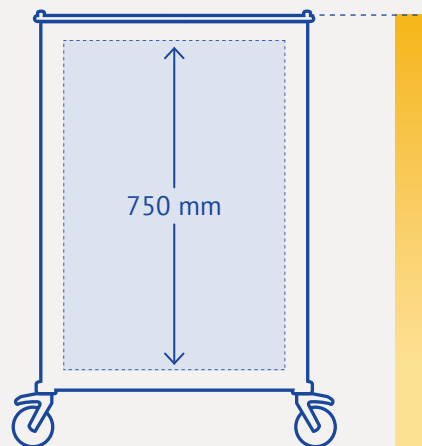
## Technopolymer



**HIGH**  
H 1135 mm



**MID**  
H 1060 mm



Trolley height

1135 mm

1060 mm

Drawer compartment height

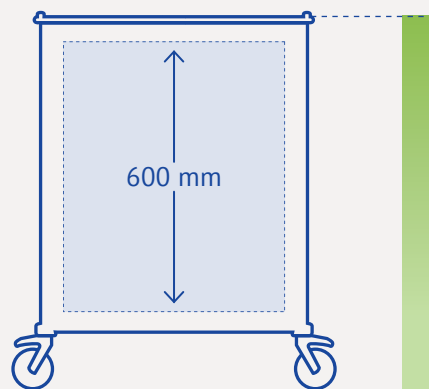
825 mm

750 mm

Total depth including bumper

550 mm

**LOW**  
H 910 mm

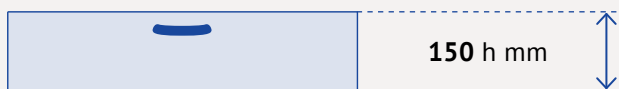
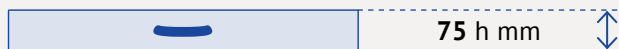


910 mm

600 mm

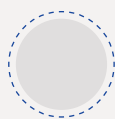
Internal structure

## Technopolymer



---

## Drawer colors



GREY



BLUE



GREEN



YELLOW



ORANGE



RED







Material

# Technopolymer ISO

A strong & durable plastic material, a great alternative to metallic materials. We choose technopolymer in hospital environments because it is light, easy to clean & disinfect, and its high resistance to impact and chemical agents.

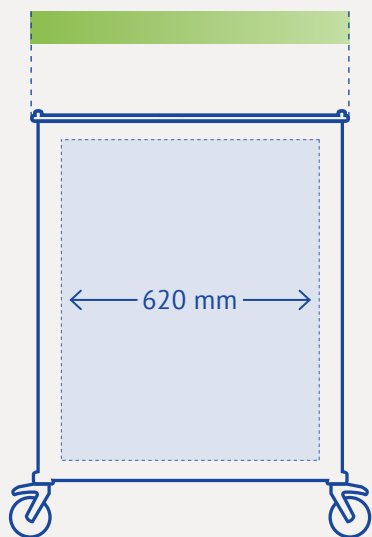


Widths

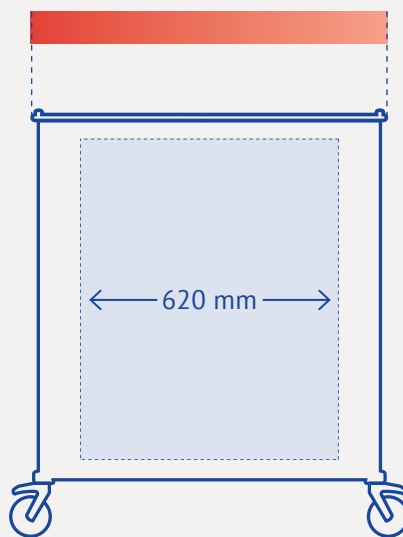
# Technopolymer ISO



**STANDARD**  
L 850 mm



**LARGE**  
L 950 mm

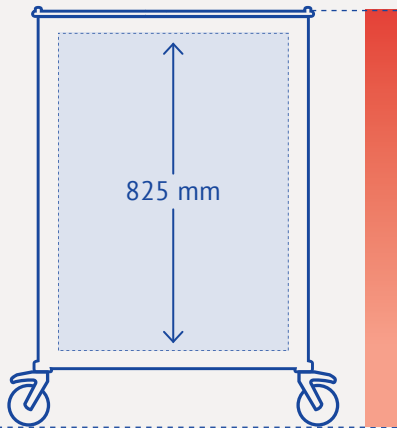


<b>Columns</b>	1	1
<b>Trolley Width/Height</b>	850 mm	950 mm
<b>Drawer compartment Width/Height</b>	620 mm	620 mm
<b>Total depth including bumper</b>	600 mm	

# Sizes – Heights

## Technopolymer ISO

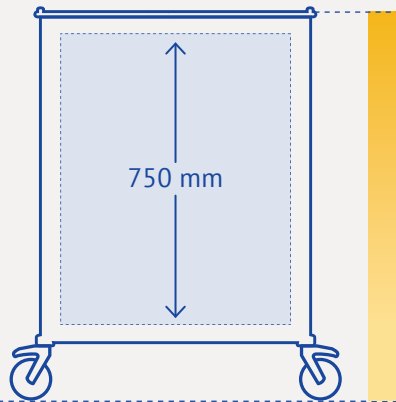
**HIGH**  
H 1135 mm



1135 mm

825 mm

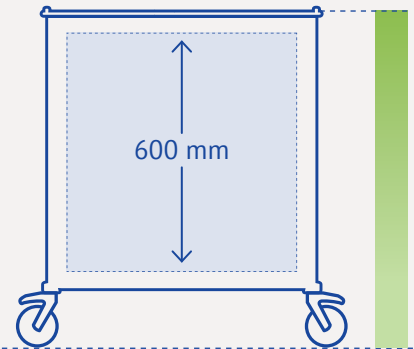
**MID**  
H 1060 mm



1060 mm

750 mm

**LOW**  
H 910 mm

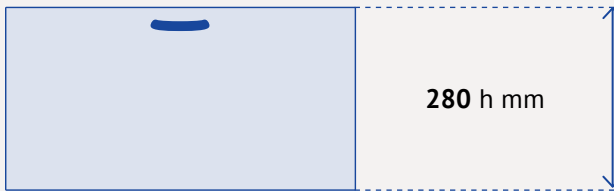


910 mm

600 mm

Internal structure

## Technopolymer ISO



## Drawer colors



GREY



BLUE



GREEN



YELLOW



ORANGE



RED







Material

# Aluminium

Easy to move and handle in hospital environments, it is a sturdy and corrosion-resistant material with a smooth surface ideal for high hygienic standards. It is fully recyclable, thus environmentally friendly.

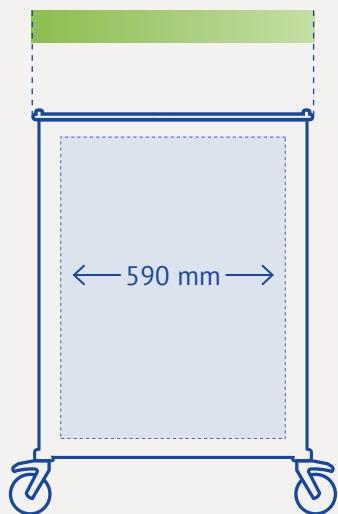


# Widths

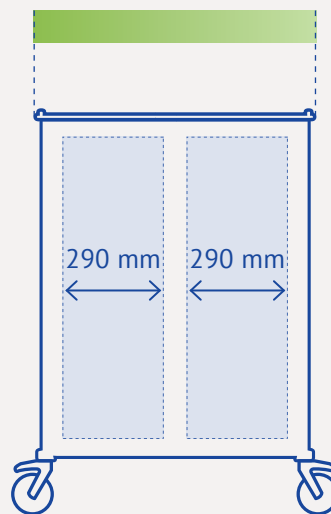
## Aluminium



**STANDARD**  
L 800 mm

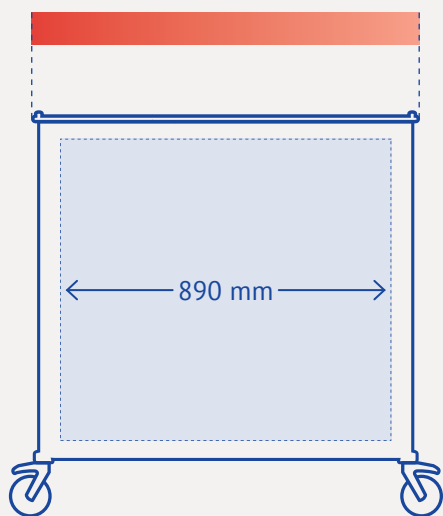


**STANDARD**  
L 800 mm

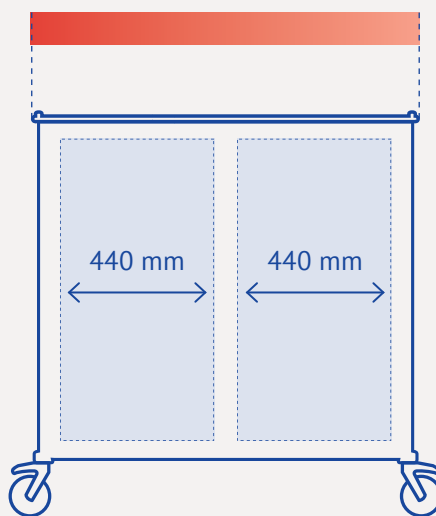


<b>Columns</b>	1	2
<b>Trolley width</b>	800 mm	800 mm
<b>Drawer compartment width</b>	590 mm	290 mm
<b>Total depth including bumper</b>	640 mm	

**LARGE**  
**L 1100 mm**



**LARGE**  
**L 1100 mm**



1

1100 mm

890 mm

2

1100 mm

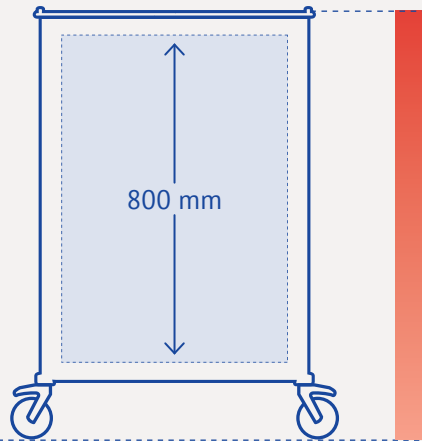
440 mm

# Heights

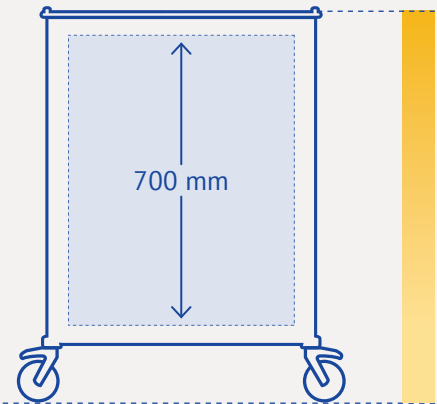
## Aluminium



**HIGH**  
H 1110 mm



**MID**  
H 1010 mm



Trolley height

1110 mm

1010 mm

Drawer compartment height

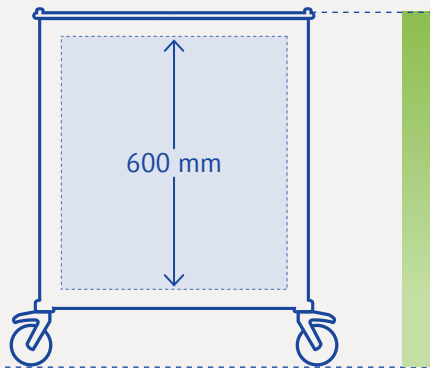
800 mm

700 mm

Total depth including bumper

640 mm

**LOW**  
H 910 mm

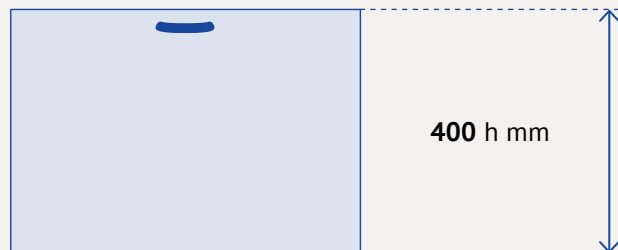
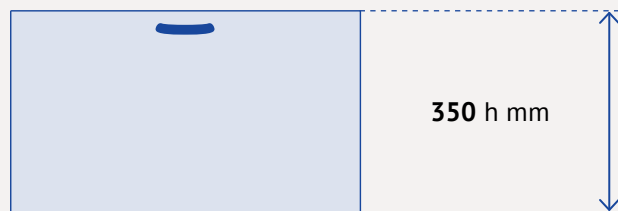
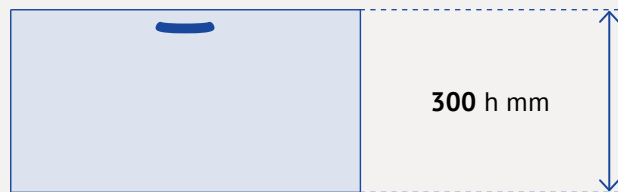
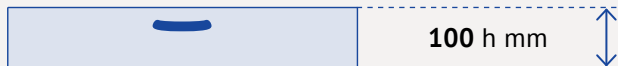
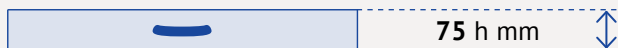


910 mm

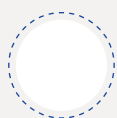
600 mm

## Internal structure

# Aluminium



## Drawer colors



WHITE



SKY BLUE



LIGHT GREEN



YELLOW



ORANGE



RED



BLUE



GREEN



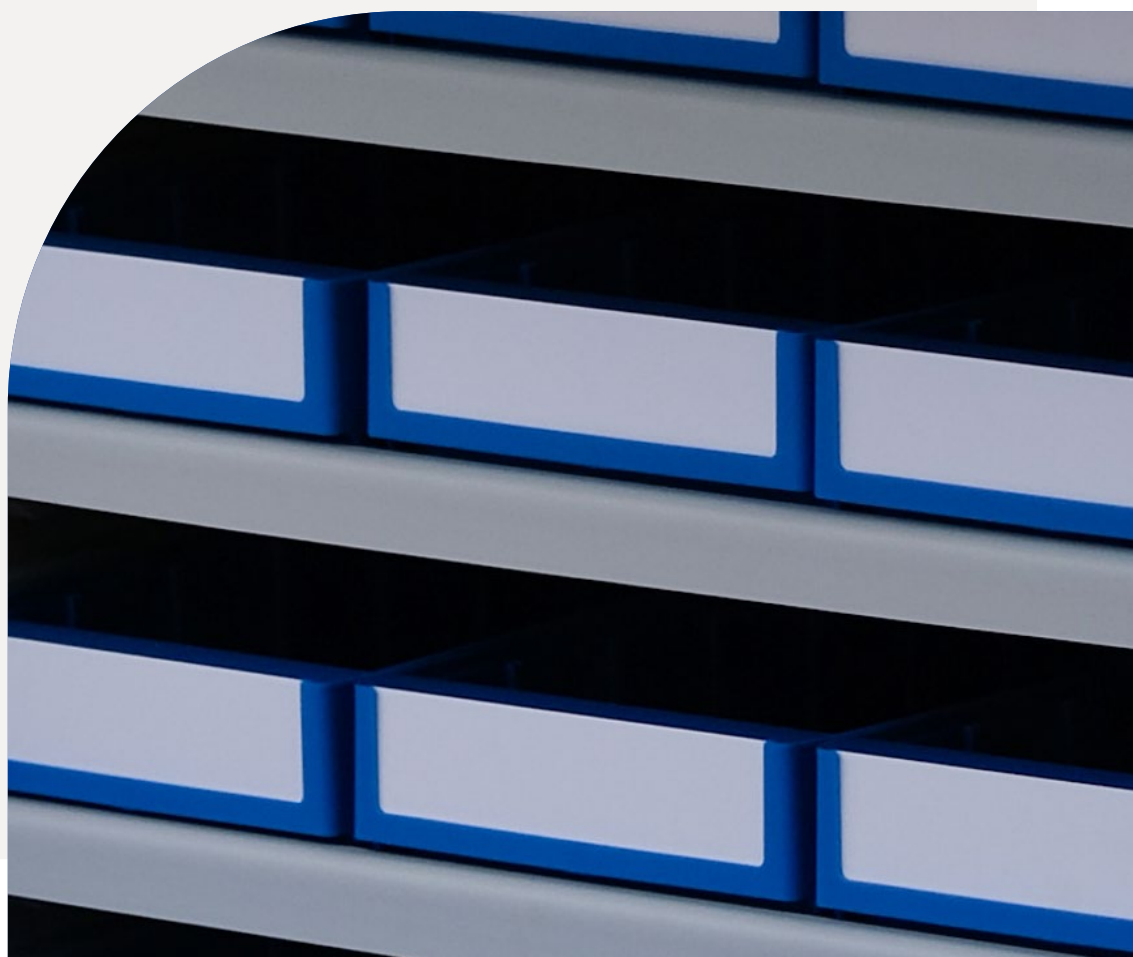




Material

# Aluminium ISO

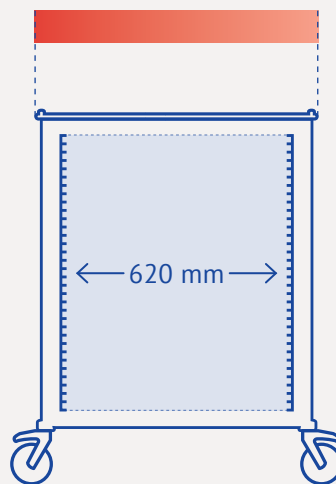
Easy to move and handle in hospital environments, it is a sturdy and corrosion-resistant material with a smooth surface ideal for high hygienic standards. It is fully recyclable, thus environmentally friendly.



## Sizes – Widths

# Aluminium ISO

**STANDARD**  
**L 880 mm**



Insertion units

19

Trolley  
Width/Height

**880 mm**

Drawer compartment  
Width/Height

620 mm

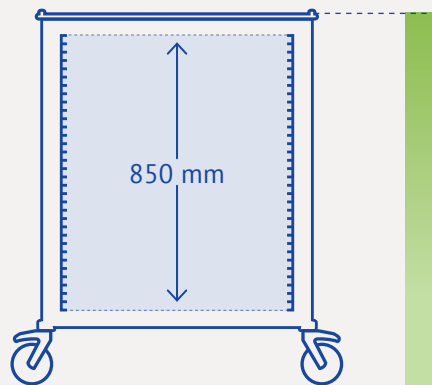
Total depth  
including bumper

600 mm

# Sizes – Heights

## Aluminium ISO

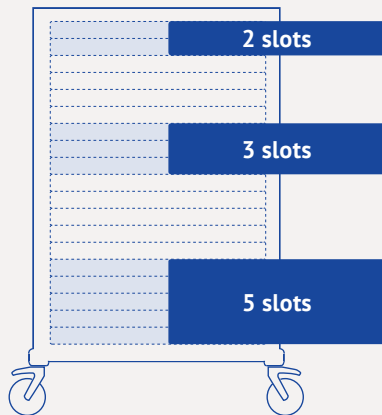
**MID**  
H 1080 mm



1080 mm

850 mm

## Internal structure Aluminium ISO



This trolley is equipped with:

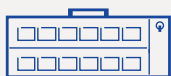
- Recessed doors
- Front pull-out shelf

### ISO drawers



Height	70 mm	2 slots
	140 mm	5 slots
	210 mm	6 slots
	280 mm	7 slots

### Cassette



Height	2 rows	6 slots
	3 rows	8 slots
	4 rows	10 slots

### ISO baskets



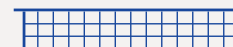
50 mm	2 slots
100 mm	3 slots
200 mm	5 slots

### Unit-dose tray



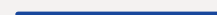
100 mm	3 slots
--------	---------

### ISO wire baskets



100 mm	3 slots
200 mm	5 slots

### Removable shelf



10 mm	1 slot
-------	--------

## Drawers colours



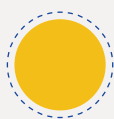
GREY



BLUE



GREEN



YELLOW



ORANGE



RED



GREY



BLUE

## Doors



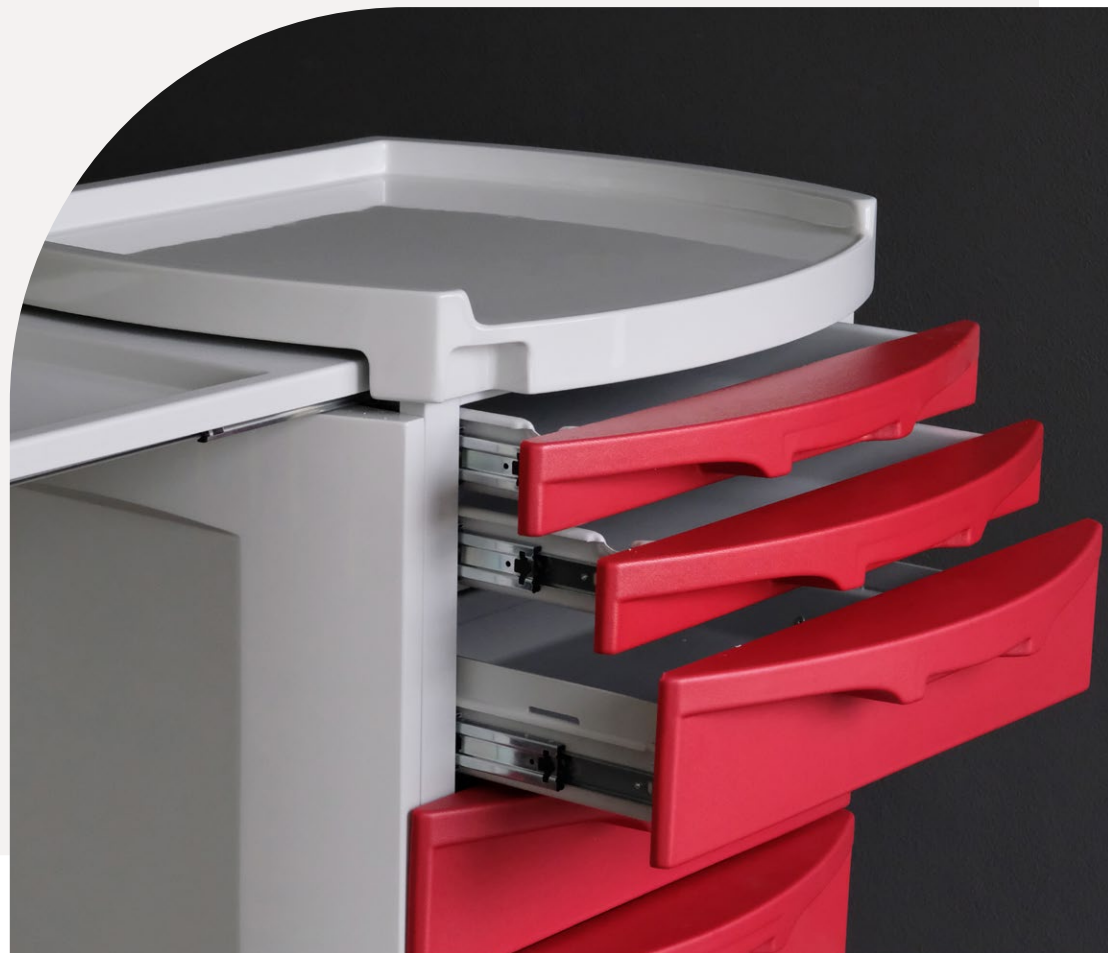




## Material

# Baydur

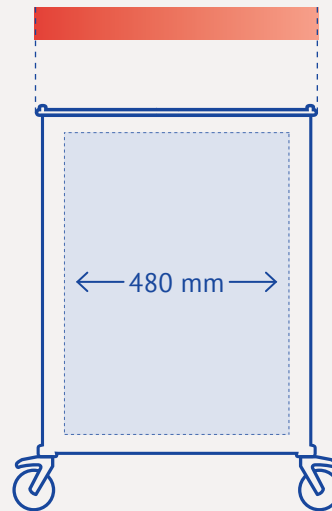
A rigid polyurethane with great shaping ability. We choose it to create complex shapes, such as custom carts with a functional, ergonomic design. Very resistant and easy to sanitize.



## Sizes – Widths

# Baydur

**STANDARD**  
**L 800 mm**



**Columns**

1

**Trolley  
Width/Height**

**800 mm**

**Drawer compartment  
Width/Height**

480 mm

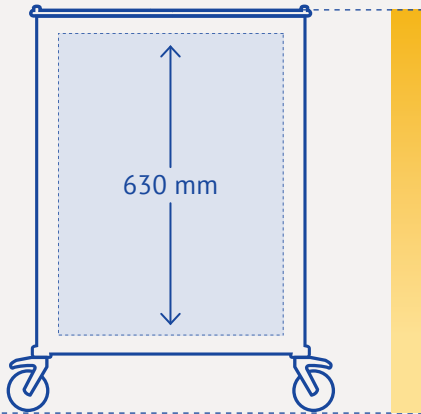
**Total depth  
including bumper**

620 mm

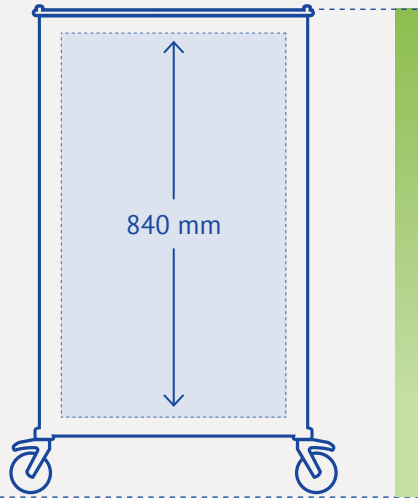
# Sizes – Heights

## Baydur

**MID**  
H 930 mm



**HIGH**  
H 1130 mm



930 mm

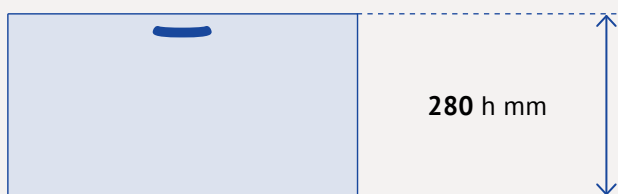
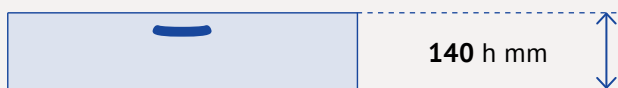
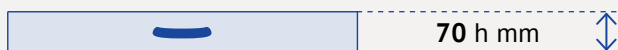
630 mm

1130 mm

840 mm

## Internal structure

### Baydur



---

## Drawer colors



RED



GREEN



BLUE



YELLOW







Material

# Stainless steel

The top choice for hospital environments. It is a premium material that provides maximum hygiene, versatility and resistance to impact, scratches and chemicals. Long-lasting and easy to sterilize.

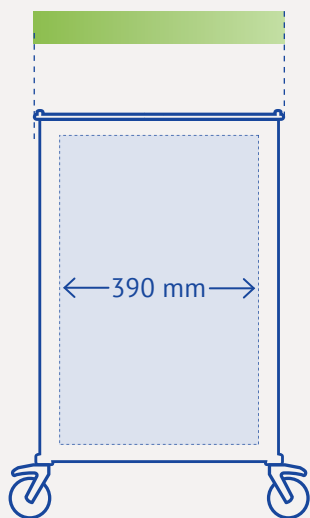


## Widths

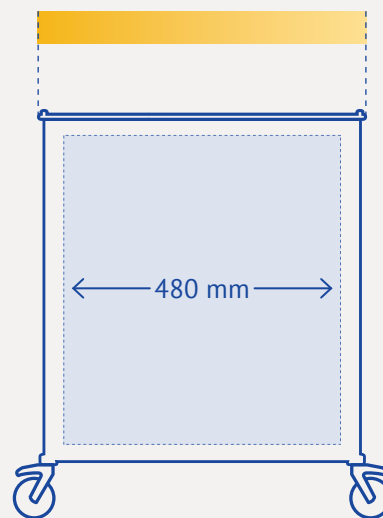
# Stainless steel



**SMALL**  
L 680 mm

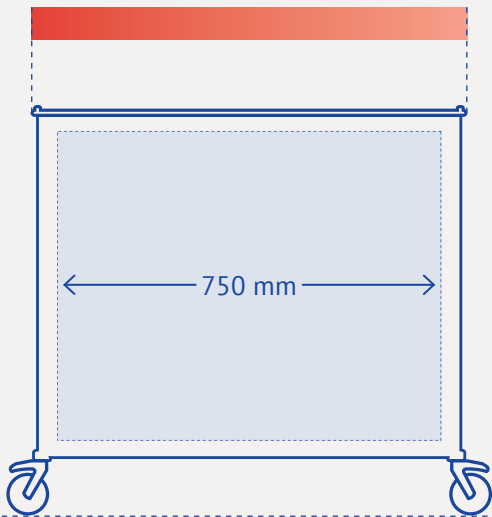


**STANDARD**  
L 890 mm

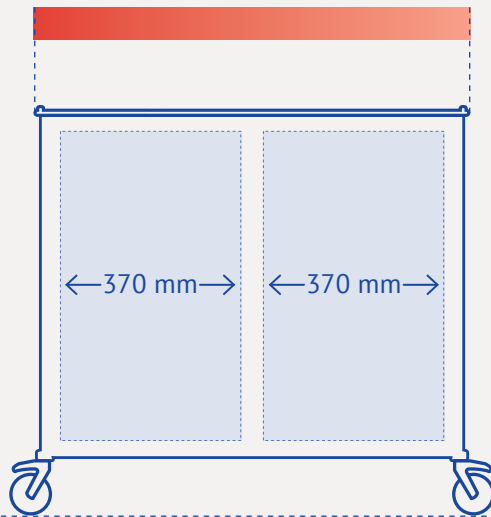


<b>Columns</b>	1	1
<b>Trolley width</b>	680 mm	890 mm
<b>Drawer compartment width</b>	390 mm	480 mm
<b>Total depth including bumper</b>	630 mm	

**LARGE**  
**L 1180 mm**



**LARGE**  
**L 1180 mm**



1

1180 mm

750 mm

2

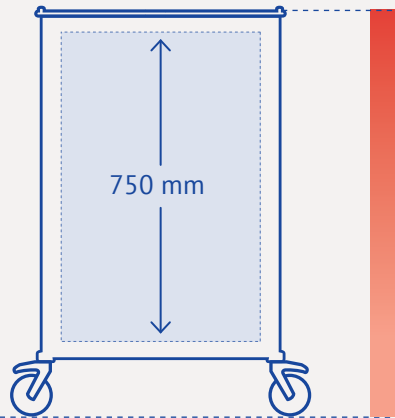
1180 mm

370 mm

# Heights

## Stainless steel

**MID**  
**H 1010 mm**



**Trolley height**

**1010 mm**

**Drawer  
compartment height**

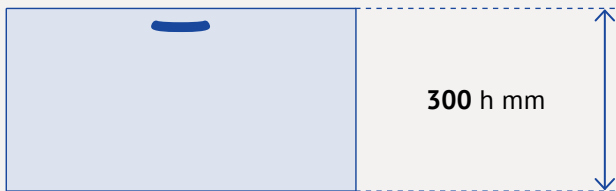
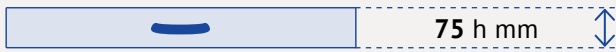
750 mm

**Total depth  
including bumper**

630 mm

Internal structure

## Stainless steel



---

## Drawer colors



BLUE



ORANGE



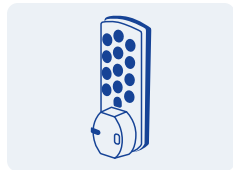
GREY

# Accessories



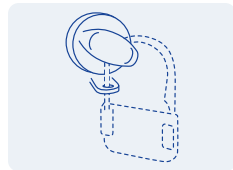
**Centralized key lock**

CH/CFS



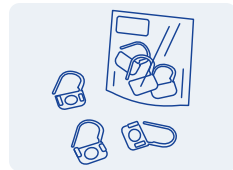
**Centralized electronic lock**

CH/EL



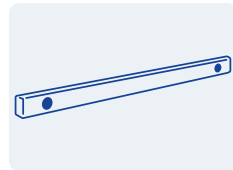
**Centralized breakaway lock**

CHS



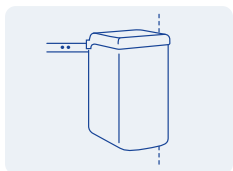
**Pack of numbered seals**

6064



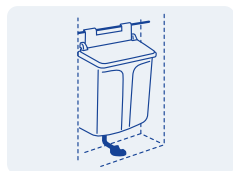
**Accessory rail**

6075



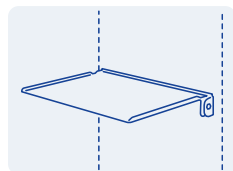
**Knee operated waste bin**

6042 10 LT  
60424 20 LT



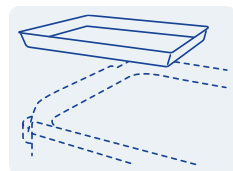
**Pedal operated waste bin (15 LT)**

60421



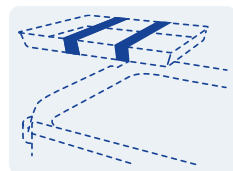
**Pull-up worktop**

6043



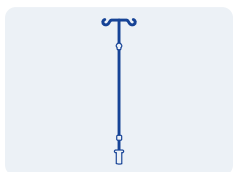
**Defibrillator tray**

60501



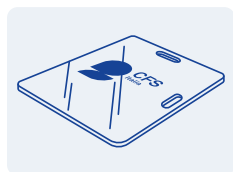
**Straps for defibrillator tray**

6060



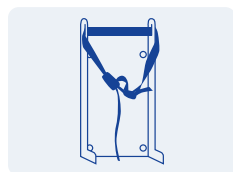
**Height-adjustable IV pole**

6041



**CPR backboard**

70120



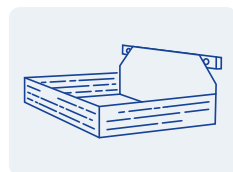
**Holder for oxygen cylinder (with straps)**

60663 Painted steel  
6059 Technopolymer



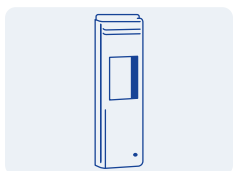
**Holder for sharps containers**

6067



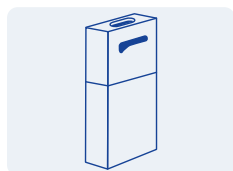
**Compartment for suction machine**

6061 Painted steel  
70117 Technopolymer



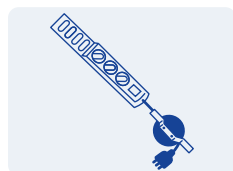
**Catheter holder**

6046-A



**Ampoule opener**

5771



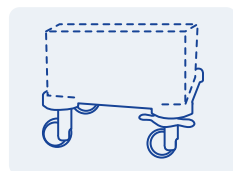
**Socket with power cable**

6063



**Antistatic castors**

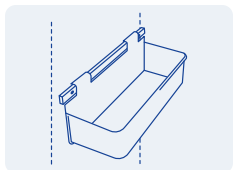
RH/5K 2 castors  
RH/6K 4 castors



**Steering and braking system**

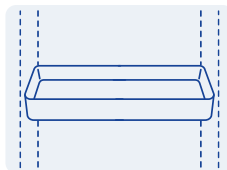
RH/26

Add a final touch to your customization and create a truly versatile trolley. Take a look at our range of functional Accessories, specifically designed to improve the efficiency and the usability of the product.



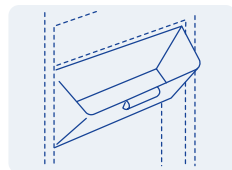
**Side storage compartment on bar**

60491



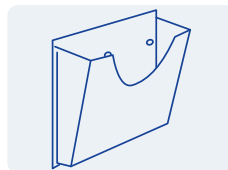
**Removable side storage compartment**

70118



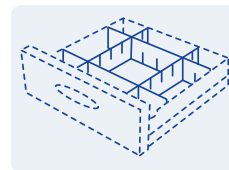
**Tilting side storage compartment**

70119



**Side compartment for documents**

CFS134.10



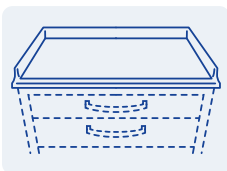
**Set of drawer dividers**

DIV



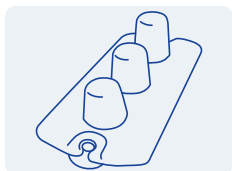
**Battery-operated lamp**

60497



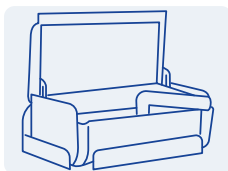
**Removable S/S worktop**

6074



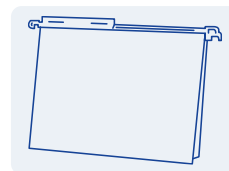
**Medicine cup dispenser**

60493



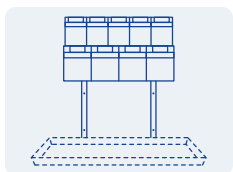
**Sterilization container with support**

6045



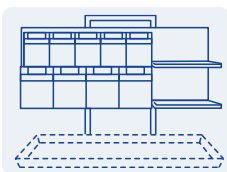
**Hanging file folder**

6049	A4
6048	470x390 mm
6048-1	A3



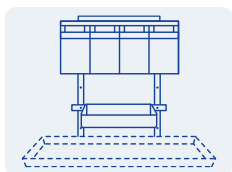
**Upstand with 5+4 tilt bins**

6044



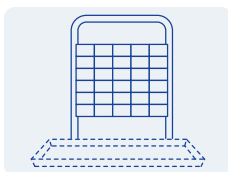
**Upstand with 5+4 tilt bins + 2 shelves**

6044/C



**Upstand with 4 tilt bins + tray**

60500



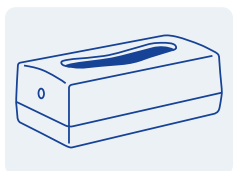
**Upstand for suture boxes**

60000



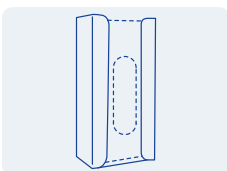
**Holder for kidney-shaped bowls**

60498



**ABS gloves dispenser**

CFS134.35P



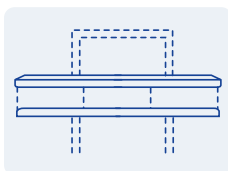
**S/S gloves dispenser**

CFS134.35I



**Vertical S/S triple gloves dispenser**

CFS134.35M



**Horizontal S/S triple gloves dispenser**

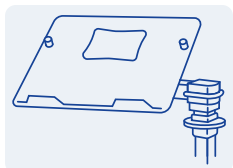
CFS134.35MI



**ABS dispenser**

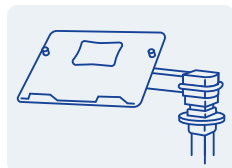
15022	Soap
15222	Gel

## Accessories



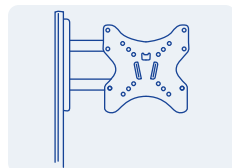
**Laptop holder**

60502



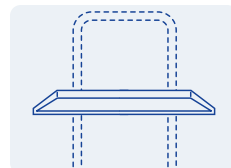
**Tablet holder**

60503



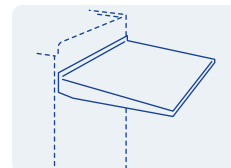
**Monitor holder**

24510-10



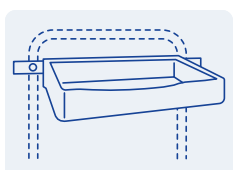
**Removable shelf for upstand**

CFS134.36



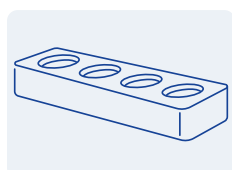
**Removable side shelf**

6043-1



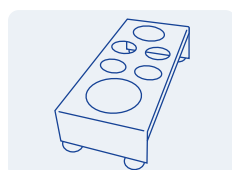
**Removable bin**

CFS134.35B



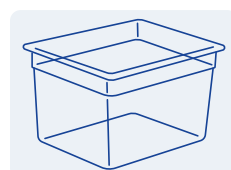
**ABS bottle & vial holder**

134.02.00



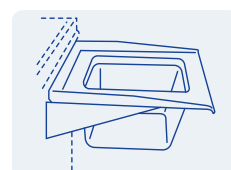
**Painted steel bottle & vial holder**

60499



**Plaster basin**

2061-30

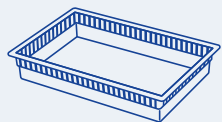


**Support for plaster basin**

30901

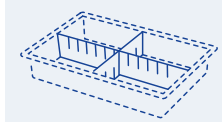


# ISO Accessories



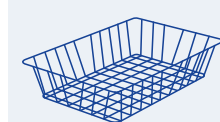
**ISO basket**

40734V 50 mm  
40744V 100 mm  
40754V 200 mm



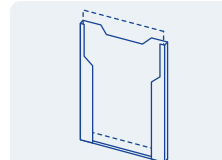
**Dividers for ISO baskets**

DIV-ISO



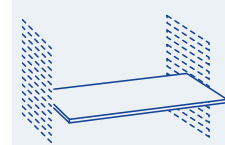
**ISO S/S wire basket**

WB1 100 mm  
WB3 200 mm



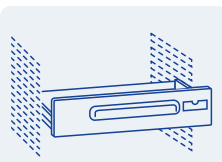
**Label holder for ISO baskets**

4078



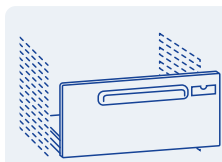
**Removable ISO shelf**

6018P Painted steel  
AARB40 Wood



**Technopolymer ISO drawer, 70 h mm**

601870



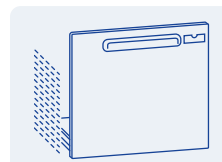
**Technopolymer ISO drawer, 140 h mm**

6018140



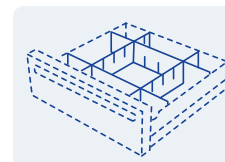
**Technopolymer ISO drawer, 210 h mm**

6018210



**Technopolymer ISO drawer, 280 h mm**

6018280



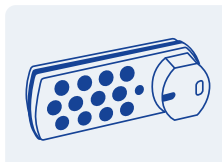
**Set of drawer dividers**

DIV



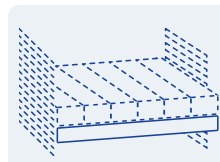
**Key lock for SPACE ISO**

60138



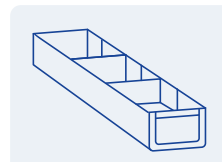
**Electronic lock for SPACE ISO**

CH/ELO



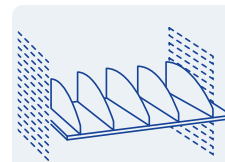
**ISO drawer for medication bins**

6018CM



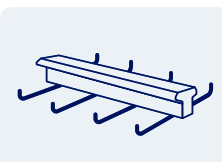
**Medication bin**

4532 94 mm  
4530 188 mm



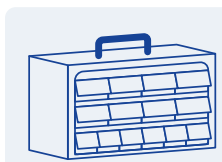
**Shelf for document filing**

6058-5



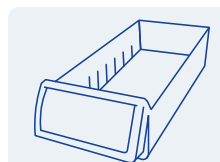
**Rail with catheter hooks**

C8080/G 8 hooks  
C8081/G 10 hooks



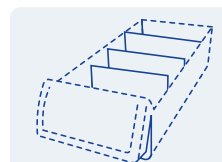
**Medication cassette**

6053SD 2 rows  
6053SE 3 rows  
6053SF 4 rows



**Medication bin for cassette**

4535 120 mm  
4536 80 mm



**Divider for medication bin**

45351 120 mm  
45361 80 mm

# Pre-configured trolleys

## **The choice is easy with our ready-made solutions**

Our pre-configured trolleys are designed with the end user in mind. Suitable for everyday use in hospitals, nursing homes, clinics and healthcare facilities.

Made with highly resistant materials and easy to clean & disinfect, our trolleys are functional tools in everyday activities and in emergency situations.

Our design combines functionality and aesthetics, our goal is to support healthcare personnel with easy to use products and to improve the well-being of the patient.





**Emergency**

Trolleys suitable for storing all necessary tools and consumables for life-saving assistance.

*From page 74*



**Medication**

Trolleys suitable for unit-dose therapy, with dedicated medication bins for each patient.

*From page 84*



**Treatment and Procedure**

Trolleys suitable for everyday use, keep all medical equipment at your fingertips.

*From page 94*



**Anesthesia**

Trolleys suitable for safe storage of essential anesthesia equipment and medications.

*From page 112*



**Collection and Storage**

Trolleys suitable for all hospital wards, where you can store any kind of medical equipment or other materials.

*From page 122*



**Medical Records**

Trolleys suitable for handling and archiving patient charts and data in a safe, organized manner.

*From page 134*



**Isolation**

Trolleys suitable for treatment of infectious diseases, with isolated compartments.

*From page 144*



**Pediatric**

Trolleys with drawer according to the Broselow tape, an internationally acknowledged color-coded system.

*From page 150*



**Phlebotomy**

Trolleys suitable for blood collection operations, keep instruments, vials, and syringes organized.

*From page 156*



Pre-configured trolleys

# Emergency

## Efficient management of critical events

In the most sensitive situations, emergency carts assume a key role in the safety and effectiveness of interventions. Quick and safe access to life-saving drugs and tools can determine the outcome of a critical event.

All of our crash carts are created to:

- act promptly and effectively in emergency situations;
- reduce response time and optimize rescue procedures;
- improve coordination and communication among healthcare personnel;
- increase the level of safety for patients and staff.

These trolleys are designed for resuscitation wards, emergency departments, emergency response corners, hospital wards, nursing homes and field hospitals.

With a carefully thought-out design, our emergency trolleys facilitate all emergency department operations. Thanks to the study of actual use cases of medical personnel, their structure is well organized and efficient in emergency situations.

### Materials

---

Painted steel  
Technopolymer  
Technopolymer ISO  
Aluminium  
Aluminium ISO  
Baydur  
Stainless steel

### Drawer colors

---

- ORANGE
- RED

### Frame colors

---

- GREY
- DARK GREY
- BLUE

## Components and Accessories



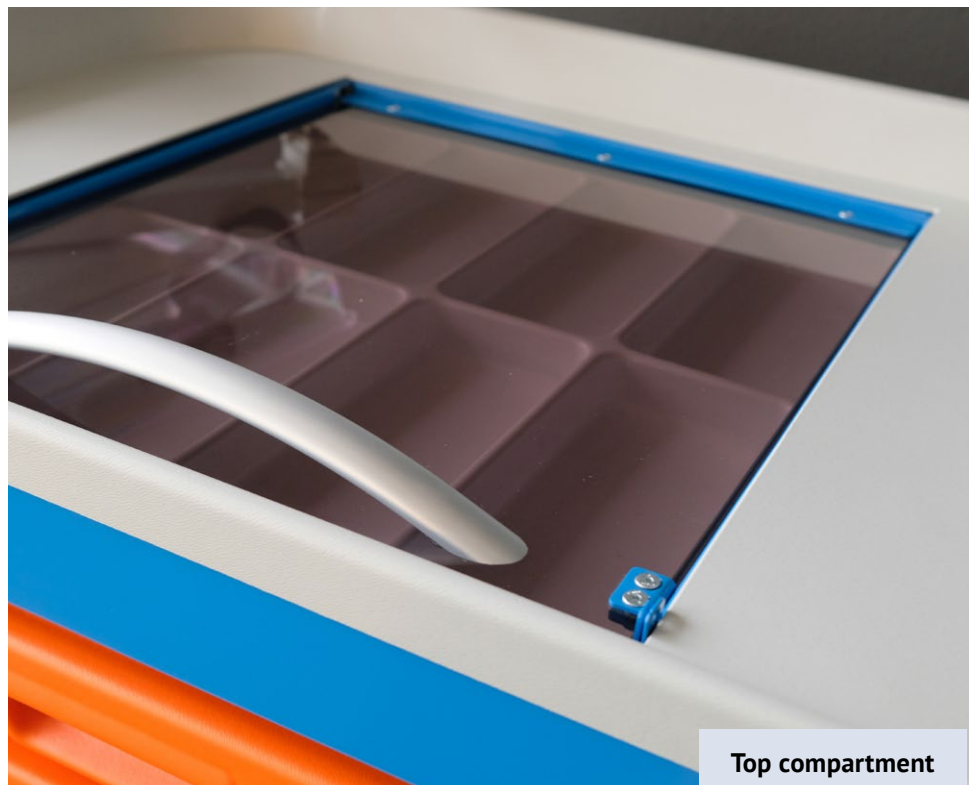
Lock by seals



Seals



CPR backboard



Top compartment

Back side



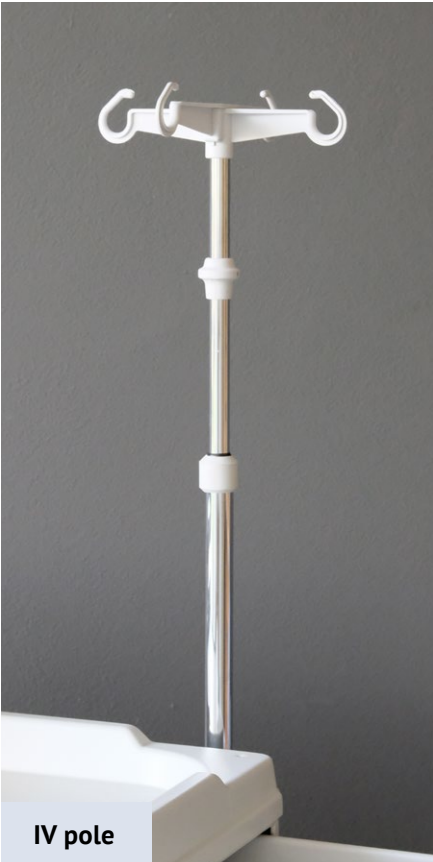
Defibrillator support



Oxygen cylinder holder



IV pole



Antistatic castor



## Genius

CODE  
6050

<b>Material</b>	Painted steel
<b>Trolley size only</b>	650x600x1060 h mm
<b>Size with Accessories</b>	880x600x1470 h mm

Basic features	Qty
Drawer 75 h mm	2
Drawer 100 h mm	1
Drawer 150 h mm	1
Drawer 200 h mm	2
Lock by seals	1
Push handle	1
Technopolymer bumper	2
Castor, diam. 125 mm, antistatic	2
Castor, diam. 125 mm, w/brake	2

Preconfigured Accessories	Item number	Qty
Defibrillator support	60501	1
IV pole	6041	1
CPR backboard	70120	1
Oxygen cylinder holder	60663	1
Catheter holder	6046-A	1
Waste bin	6042	1
Accessories rail	6075	1
Bag of numbered seals	6064	1

## Genius Plus

CODE  
6050/PLUS

<b>Material</b>	Painted steel
<b>Trolley size only</b>	650x600x1060 h mm
<b>Size with Accessories</b>	880x600x1470 h mm

Basic features	Qty
Drawer 100 h mm	2
Drawer 150 h mm	2
Drawer 200 h mm	1
Lateral Drawer 100 h mm	1
Lock by seals	1
Key lock	1
Push handle	1
Technopolymer bumper	2
Castor, diam. 125 mm, antistatic	2
Castor, diam. 125 mm, w/brake	2

Preconfigured Accessories	Item number	Qty
Defibrillator support	60501	1
IV pole	6041	1
CPR backboard	70120	1
Oxygen cylinder holder	60663	1
Catheter holder	6046-A	1
Waste bin	6042	1
Accessories rail	6075	1
Bag of numbered seals	6064	1

## Tornado Life

CODE  
70171

## Tornado Large Iso

CODE  
7010/ES

<b>Material</b>	Technopolymer
<b>Trolley size only</b>	750x550x1060 h mm
<b>Size with Accessories</b>	990x550x1470 h mm

<b>Material</b>	Technopolymer
<b>Trolley size only</b>	850x600x1060 h mm
<b>Size with Accessories</b>	1080x600x1470 h mm

Basic features	Qty
Drawer 75 h mm	2
Drawer 150 h mm	2
Drawer 300 h mm	1
Lock by seals	1
Push handle	1
Pull-out worktop	1
Drugs compartment in the worktop	1
Corner bumper	4
Castor diam. 125 mm, antistatic	2
Castor diam. 125 mm, w/brake	2

Basic features	Qty
Drawer 140 h mm	3
Drawer 280 h mm	1
Lock by seals	1
Pull-out worktop	1
Push handle	1
Corner bumper	4
Castor diam. 125 mm, antistatic	2
Castor diam. 125 mm, w/brake	2

Preconfigured Accessories	Item number	Qty
Defibrillator support	60501	1
IV pole	6041	1
CPR backboard	70120	1
Oxygen cylinder holder	6059	1
Catheter holder	6046-A	1
Waste bin	6042	1
Accessories rail	6075	1
Compartment for suction machine	70117	1
Tilting side storage compartment	70119	1
Bag of numbered seals	6064	1

Preconfigured Accessories	Item number	Qty
Defibrillator support	60501	1
IV pole	6041	1
CPR backboard	70120	1
Oxygen cylinder holder	6059	1
Catheter holder	6046-A	1
Waste bin	6042	1
Accessories rail	6075	1
Removable side storage compartment	70118-1	4
Bag of numbered seals	6064	1

## Tornado Small

CODE  
7010-1

<b>Material</b>	Technopolymer
<b>Trolley size only</b>	750x550x1060 h mm
<b>Size with Accessories</b>	990x550x1470 h mm

Basic features	Qty
Drawer 75 h mm	2
Drawer 150 h mm	2
Drawer 300 h mm	1
Lock by seals	1
Push handle	1
Pull-out worktop	1
Corner bumper	4
Castor, diam. 125 mm, antistatic	2
Castor, diam. 125 mm, w/brake	2

Preconfigured Accessories	Item number	Qty
Defibrillator support	60501	1
IV pole	6041	1
CPR backboard	70120	1
Oxygen cylinder holder	6059	1
Catheter holder	6046-A	1
Waste bin	6042	1
Accessories rail	6075	1
Compartment for suction machine	70117	1
Tilting side storage compartment	70119	1
Bag of numbered seals	6064	1

## Zeus

CODE  
60900E

<b>Material</b>	Baydur
<b>Trolley size only</b>	800x620x930 h mm
<b>Size with Accessories</b>	1100x620x1470 h mm

Basic features	Qty
Drawer 70 h mm	2
Drawer 140 h mm	2
Drawer 210 h mm	1
Lock by seals	1
Push handle	1
Tiltable side storage compartment	2
Pull-out worktop	1
Technopolymer bumper	2
Castor, diam. 125 mm, antistatic	2
Castor, diam. 125 mm, w/brake	2

Preconfigured Accessories	Item number	Qty
Defibrillator support	60501	1
IV pole	6041	1
CPR backboard	70120	1
Oxygen cylinder holder	60663	1
Catheter holder	6046-A	1
Holder for sharps container	6067	1
Compartment for suction machine	6061	1
Bag of numbered seals	6064	1

## ALV600500

CODE  
6080/V

<b>Material</b>	Aluminium
<b>Trolley size only</b>	800x640x1100 h mm
<b>Size with Accessories</b>	1030x640x1470 h mm

Basic features	Qty
Drawer 100 h mm	1
Drawer 150 h mm	2
Drawer 200 h mm	2
Lock by seals	1
Push handle	1
Pull-out worktop	1
Technopolymer bumper	2
Castor, diam. 125 mm, antistatic	2
Castor, diam. 125 mm, w/brake	2

Preconfigured Accessories	Item number	Qty
Defibrillator support	60501	1
IV pole	6041	1
CPR backboard	70120	1
Oxygen cylinder holder	60663	1
Catheter holder	6046-A	1
Waste bin	6042	1
Accessories rail	6075	1
Bag of numbered seals	6064	1

## Universal

CODE  
60181

<b>Material</b>	Aluminium
<b>Trolley size only</b>	880x630x1080 h mm
<b>Size with Accessories</b>	1120x630x1470 h mm

Basic features	Qty
Drawer 70 h mm	1
Drawer 140 h mm	2
Drawer 280 h mm	1
Retractable door	2
Lock by seals	1
Front pull-out worktop	1
Technopolymer bumper base	1
Twin castor, diam. 125 mm, antistatic	2
Twin castor, diam. 125 mm, w/brake	2

Preconfigured Accessories	Item number	Qty
Defibrillator support	60501	1
IV pole	6041	1
CPR backboard	70120	1
Oxygen cylinder holder	60663	1
Catheter holder	6046-A	1
Bag of numbered seals	6064	1

## Mini Luxor

CODE  
6070/M

<b>Material</b>	Stainless steel
<b>Trolley size only</b>	680x630x1010 h mm
<b>Size with Accessories</b>	910x630x1470 h mm

Basic features	Qty
Drawer 150 h mm	3
Drawer 300 h mm	1
Lock by seals	1
Pull-out worktop	1
Defibrillator support	1
Side storage compartment	3
Oxygen cylinder holder	1
Compartment for suction machine	1
Corner bumper	4
Castor, diam. 125 mm, antistatic	2
Castor, diam. 125 mm, w/brake	2

Preconfigured Accessories	Item number	Qty
IV pole	6041	1
CPR backboard	70120	1
Waste bin	6042	1
Accessories rail	6075	1
Bag of numbered seals	6064	1

## Luxor

CODE  
6070

<b>Material</b>	Stainless steel
<b>Trolley size only</b>	890x630x1040 h mm
<b>Size with Accessories</b>	1120x630x1470 h mm

Basic features	Qty
Drawer 150 h mm	3
Drawer 300 h mm	1
Lock by seals	1
Pull-out worktop	1
Defibrillator support	1
Side storage compartment	3
Oxygen cylinder holder	1
Compartment for suction machine	1
Catheter holder	1
Corner bumper	4
Castor, diam. 125 mm, antistatic	2
Castor, diam. 125 mm, w/brake	2

Preconfigured Accessories	Item number	Qty
IV pole	6041	1
CPR backboard	70120	1
Waste bin	6042	1
Accessories rail	6075	1
Bag of numbered seals	6064	1





Pre-configured trolleys

# Medication

## Optimize the workflow for drug treatment

Unit-dose therapy trolleys, or medication trolleys, are designed for storage, transport and delivery of medications, with dedicated compartments for each dose or type of medication. They help the nursing staff administer each patient's medication according to the doctor's prescription. All medications from different patients are safely divided.

The most common features of medication carts are:

- compartments and drawers;
- large or small unit-dose bins with dividers;
- labels with bar code and patient name.

This type of trolley may contain dangerous drugs that require a high level of control. CFS Italia has the answer: we design drawers with special locks, so that safety is guaranteed even when the cart is unattended.

These trolleys feature a design that facilitates transportation directly to the patient's bedside, a great advantage for improving treatment management.

### Materials

---

Painted steel  
 Painted steel ISO  
 Technopolymer  
 Technopolymer ISO  
 Aluminium ISO

### Drawer colors

---

- GREY
- BLUE
- GREEN
- YELLOW
- ORANGE
- RED

### Frame colors

---

- GREY
- DARK GREY
- BLUE

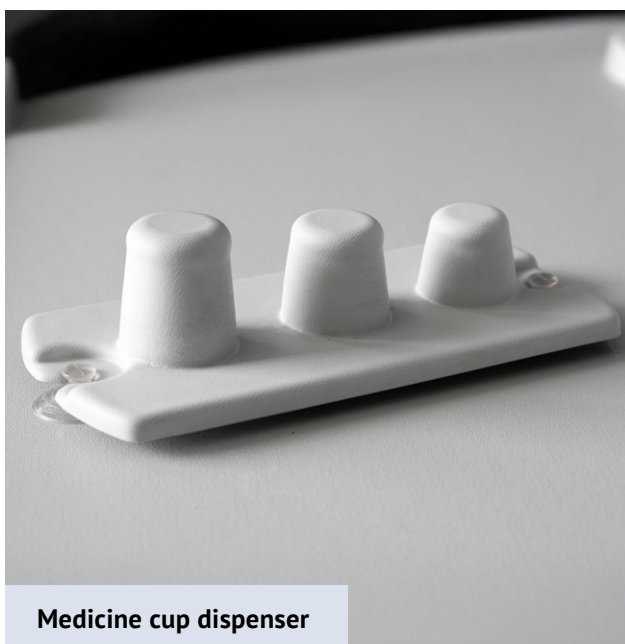
## Components and Accessories



Electronic lock



Monitor holder



Medicine cup dispenser



Drawers



Keyboard drawer



Medication cassette



Laptop/tablet holder



Medication bins

## Unit-Dose

CODE  
6053

<b>Material</b>	Painted steel
<b>Trolley size only</b>	650x600x1060 h mm
<b>Size with Accessories</b>	800x600x1060 h mm

Basic features	Qty
Medications Drawer 100 h mm	8
Small medication bin	24
Large medication bin	4
Key lock	1
Push handle	1
Technopolymer bumper	2
Castor, diam. 125 mm	2
Castor, diam. 125 mm, w/brake	2

Preconfigured Accessories	Item number	Qty
Waste bin	6042	1
Accessories rail	6075	1
Pull-up worktop	6043	1

## Unit-Dose D-A

CODE  
6053/DA

<b>Material</b>	Painted steel
<b>Trolley size only</b>	650x600x1300 h mm
<b>Size with Accessories</b>	880x600x1300 h mm

Basic features	Qty
Medications Drawer 100 h mm	8
Small medication bin	32
Drawer 200 h mm	1
Key lock	1
Push handle	1
Technopolymer bumper	2
Castor, diam. 125 mm	2
Castor, diam. 125 mm, w/brake	2

Preconfigured Accessories	Item number	Qty
Waste bin	6042	1
Accessories rail	6075	1
Pull-up worktop	6043	1

## Unit-Dose Plus

CODE  
6053/PLUS



## Unit-Dose Plus D-U

CODE  
6053/PDU



<b>Material</b>	Painted steel
<b>Trolley size only</b>	1200x600x1060 h mm
<b>Size with Accessories</b>	-

Basic features	Qty
Medications Drawer 100 h mm	16
Small medication bin	64
Key lock	2
Push handle	2
Technopolymer bumper	2
Castor, diam. 125 mm	2
Castor, diam. 125 mm, w/brake	2

<b>Material</b>	Painted steel
<b>Trolley size only</b>	1200x600x1060 h mm
<b>Size with Accessories</b>	-

Basic features	Qty
Medications Drawer 100 h mm	10
Small medication bin	40
Drawer 100 h mm	1
Drawer 150 h mm	2
Drawer 200 h mm	1
Key lock	2
Push handle	2
Technopolymer bumper	2
Castor, diam. 125 mm	2
Castor, diam. 125 mm, w/brake	2

## Zephiro

CODE  
7014

<b>Material</b>	Technopolymer
<b>Trolley size only</b>	750x550x1060 h mm
<b>Size with Accessories</b>	-

Basic features	Qty
Medications Drawer 100 h mm	7
Small medication bin	20
Large medication bin	4
Push handle	1
Pull-out worktop	1
Corner bumper	4
Castor, diam. 125 mm	2
Castor, diam. 125 mm, w/brake	2

Preconfigured Accessories	Item number	Qty
Electronic lock	CH/EL	1

## Zephiro/C Plus

CODE  
70191

<b>Material</b>	Technopolymer
<b>Trolley size only</b>	1100x550x1060 h mm
<b>Size with Accessories</b>	1220x550x1060 h mm

Basic features	Qty
Medications Drawer 100 h mm	5
Small medication bin	35
Drawer 100 h mm	1
Drawer 150 h mm	1
Drawer 250 h mm	1
Pull-out worktop	1
Key lock	2
Push handle	1
Corner bumper	4
Castor, diam. 150 mm	2
Castor, diam. 150 mm, w/brake	2

Preconfigured Accessories	Item number	Qty
Tilting side storage compartment	70119	3
Waste bin	6042	1

# Tornado Large ISO

CODE  
7010/S16



<b>Material</b>	Technopolymer
<b>Trolley size only</b>	850x600x1060 h mm
<b>Size with Accessories</b>	850x600x1460 h mm

Basic features	Qty
ISO Drawer 70 h mm	1
ISO Drawer 140 h mm	2
Medication cassette, 3 rows	1
Small medication bin	6
Large medication bin	8
Key lock	1
Pull-out worktop	1
Push handle	1
Corner bumper	4
Castor, diam. 125 mm	2
Castor, diam. 125 mm, w/brake	2

Preconfigured Accessories	Item number	Qty
Monitor holder	24510-10	1

# Tornado Large ISO

CODE  
7010/S19



<b>Material</b>	Technopolymer
<b>Trolley size only</b>	850x600x1060 h mm
<b>Size with Accessories</b>	-

Basic features	Qty
Medication cassette, 4 rows	2
Small medication bin	12
Large medication bin	16
Pull-out worktop	1
Push handle	1
Corner bumper	4
Castor, diam. 125 mm	2
Castor, diam. 125 mm, w/brake	2

## Space ISO-1M

CODE  
60122C



<b>Material</b>	Painted steel
<b>Trolley size only</b>	700x500x1200 h mm
<b>Size with Accessories</b>	-

Basic features	Qty
ISO Drawer 70 h mm	1
ISO Drawer 140 h mm	2
Small medication bin	6
Large medication bin	8
Medication cassette, 3 rows	1
Roll door	1
Push handle	1
Twin castor, diam. 125 mm	2
Twin castor, diam. 125 mm, w/brake	2

Preconfigured Accessories	Item number	Qty
Electronic lock	CH/ELO	1

## Space ISO-1B

CODE  
60127C



<b>Material</b>	Painted steel
<b>Trolley size only</b>	700x500x950 h mm
<b>Size with Accessories</b>	-

Basic features	Qty
Medications Drawer 100 h mm	4
Small medication bin	12
Large medication bin	6
Roll door	1
Push handle	1
Twin castor, diam. 125 mm	2
Twin castor, diam. 125 mm, w/brake	2

Preconfigured Accessories	Item number	Qty
Electronic lock	CH/ELO	1

## Universal

CODE  
60183

<b>Material</b>	Aluminium
<b>Trolley size only</b>	880x620x1080 h mm
<b>Size with Accessories</b>	-

Basic features	Qty
Medications Drawer 100 h mm	6
Small medication bin	36
Retractable door	2
Key lock	1
Technopolymer bumper base	1
Twin castor, diam. 125 mm	2
Twin castor, diam. 125 mm, w/brake	2

Preconfigured Accessories	Item number	Qty
Accessories rail	6044	2

## Tornado Large ISO

CODE  
7010/S18

<b>Material</b>	Technopolymer
<b>Trolley size only</b>	850x600x1060 h mm
<b>Size with Accessories</b>	1080x600x1700 h mm

Basic features	Qty
Drawer 150 h mm, with ISO basket	3
Drawer 300 h mm, with ISO basket	1
Key lock	1
Pull-out worktop	1
Push handle	1
Corner bumper	4
Castor, diam. 125 mm	2
Castor, diam. 125 mm, w/brake	2

Preconfigured Accessories	Item number	Qty
Upstand with 5+4 tilt bins	6044	1
Removable side storage compartment	70118	4
Horizontal S/S triple gloves dispenser	CFS134.35MI	1
Waste bin	6042	1
Accessories rail	6075	2
Holder for sharps container	6067	1
Monitor holder	24510-10	1



PRE-CONFIGURED TROLLEYS

# Treatment and Procedure

## A mobile station for patient treatment

Procedure carts are equipped with all you need for patient treatment. They provide quick access to useful tools for treating a wound in the post-operative course, such as bandages, gauze, scissors, bottles, plasters, disinfectants, and syringes.

The main functions of a treatment trolley are:

- ease the transition from storage or medicine cabinets;
- reduce travel time;
- have everything at your fingertips in one mobile station;
- improve the experience of both operator and patient.

Usually, these trolleys have special shelves, compartments or drawers to prevent the risk of contamination and ensure high standards of hygiene. They are used in different facilities such as hospitals, nursing homes or small clinics, and allow all healthcare personnel to optimize their workflow.

### Materials

---

Painted steel  
Technopolymer  
Aluminium  
Aluminium ISO  
Baydur  
Stainless steel

### Drawer colors

---

- GREY
- BLUE
- GREEN
- YELLOW
- ORANGE
- RED

### Frame colors

---

- GREY
- DARK GREY

## Components and Accessories



Push handle



Drawer dividers



Waste bin



Side storage compartment



Accessories bar



Corner bumper



Side storage compartment



Triple gloves dispenser

## Alfa 01

CODE  
6010

<b>Material</b>	Painted steel
<b>Trolley size only</b>	650x600x1060 h mm
<b>Size with Accessories</b>	880x600x1060 h mm

Basic features	Qty
Drawer 100 h mm	1
Drawer 150 h mm	2
Drawer 200 h mm	2
Key lock	1
Push handle	1
Technopolymer bumper	2
Castor, diam. 125 mm	2
Castor, diam. 125 mm, w/brake	2

Preconfigured Accessories	Item number	Qty
Waste bin	6042	1
Accessories rail	6075	1
Pull-up worktop	6043	1

## Alfa 01/A

CODE  
6011

<b>Material</b>	Painted steel
<b>Trolley size only</b>	650x600x1060 h mm
<b>Size with Accessories</b>	880x600x1060 h mm

Basic features	Qty
Drawer 150 h mm	2
Lower compartment 500 h mm	1
Key lock	1
Push handle	1
Technopolymer bumper	2
Castor, diam. 125 mm	2
Castor, diam. 125 mm, w/brake	2

Preconfigured Accessories	Item number	Qty
Waste bin	6042	1
Accessories rail	6075	1

## Alfa 01 PLUS

CODE  
6010/PLUS

## Alfa 23/L PLUS

CODE  
6017/PLUS

<b>Material</b>	Painted steel
<b>Trolley size only</b>	650x600x1060 h mm
<b>Size with Accessories</b>	-

Basic features	Qty
Drawer 100 h mm	2
Drawer 200 h mm	1
Drawer 150 h mm	2
Lateral Drawer 100 h mm	1
Key lock	2
Push handle	1
Technopolymer bumper	2
Castor, diam. 125 mm	2
Castor, diam. 125 mm, w/brake	2

Preconfigured Accessories	Item number	Qty
Laptop holder	60502	1

<b>Material</b>	Painted steel
<b>Trolley size only</b>	960x600x1060 h mm
<b>Size with Accessories</b>	-

Basic features	Qty
Drawer 100 h mm	1
Drawer 150 h mm	2
Drawer 300 h mm	1
Lateral drawer 100 h mm	1
Key lock	2
Push handle	1
Technopolymer bumper	2
Castor, diam. 125 mm	2
Castor, diam. 125 mm, w/brake	2

Preconfigured Accessories	Item number	Qty
Pull-up worktop	6043	1

## Alfa 23/V

CODE  
6013

<b>Material</b>	Painted steel
<b>Trolley size only</b>	960x600x1060 h mm
<b>Size with Accessories</b>	1190x600x1060 h mm

Basic features	Qty
Drawer 100 h mm	1
Drawer 150 h mm	2
Drawer 200 h mm	2
Open compartment 390 h mm	2
Key lock	1
Push handle	2
Technopolymer bumper	2
Castor, diam. 125 mm	2
Castor, diam. 125 mm, w/brake	2

Preconfigured Accessories	Item number	Qty
Waste bin	6042	1
Accessories rail	6075	1
Pull-up worktop	6043	1

## Alfa 23/L

CODE  
6017

<b>Material</b>	Painted steel
<b>Trolley size only</b>	960x600x1060 h mm
<b>Size with Accessories</b>	-

Basic features	Qty
Drawer 100 h mm	1
Drawer 150 h mm	2
Drawer 200 h mm	2
Key lock	1
Push handle	2
Technopolymer bumper	2
Castor, diam. 125 mm	2
Castor, diam. 125 mm, w/brake	2

Preconfigured Accessories	Item number	Qty
Pull-up worktop	6043	1

## Tornado Large ISO

CODE  
7010/S

## Tornado Large ISO Plus

CODE  
7010/S12

<b>Material</b>	Technopolymer
<b>Trolley size only</b>	850x600x1060 h mm
<b>Size with Accessories</b>	-

Basic features	Qty
ISO Drawer 140 h mm	3
ISO Drawer 280 h mm	1
Key lock	1
Pull-out worktop	1
Push handle	1
Corner bumper	4
Castor, diam. 125 mm	2
Castor, diam. 125 mm, w/brake	2

Preconfigured Accessories	Item number	Qty
Removable side storage compartment	70118	4

<b>Material</b>	Technopolymer
<b>Trolley size only</b>	950x600x1060 h mm
<b>Size with Accessories</b>	-

Basic features	Qty
Drawer 140 h mm	3
Drawer 280 h mm	1
Key lock	1
Push handle	1
Pull-out worktop	1
Corner bumper	4
Castor, diam. 125 mm	2
Castor, diam. 125 mm, w/brake	2

Preconfigured Accessories	Item number	Qty
Tilting side storage compartment	70119	3

## Tornado Small

CODE  
7010-1

<b>Material</b>	Technopolymer
<b>Trolley size only</b>	750x550x1060 h mm
<b>Size with Accessories</b>	-

Basic features	Qty
Drawer 75 h mm	2
Drawer 150 h mm	2
Drawer 300 h mm	1
Key lock	1
Push handle	1
Pull-out worktop	1
Corner bumper	4
Castor, diam. 125 mm	2
Castor, diam. 125 mm, w/brake	2

## Ciclone Medium

CODE  
7011

<b>Material</b>	Technopolymer
<b>Trolley size only</b>	1100x550x1060 h mm
<b>Size with Accessories</b>	-

Basic features	Qty
Drawer 150 h mm	6
Drawer 300 h mm	2
Key lock	2
Push handle	1
Pull-out worktop	1
Corner bumper	4
Castor, diam. 150 mm	2
Castor, diam. 150 mm, w/brake	2

## Ciclone Large

CODE  
7011-1

<b>Material</b>	Technopolymer
<b>Trolley size only</b>	1250x550x1060 h mm
<b>Size with Accessories</b>	-

Basic features	Qty
Drawer 150 h mm	6
Drawer 300 h mm	2
Key lock	2
Push handle	1
Pull-out worktop	1
Corner bumper	4
Castor, diam. 150 mm	2
Castor, diam. 150 mm, w/brake	2

## Storm

CODE  
7015

<b>Material</b>	Technopolymer
<b>Trolley size only</b>	750x550x1060 h mm
<b>Size with Accessories</b>	-

Basic features	Qty
Drawer 100 h mm	2
Drawer 150 h mm	2
Drawer 250 h mm	1
Key lock	1
Push handle	1
Pull-out worktop	1
Corner bumper	4
Castor, diam. 125 mm	2
Castor, diam. 125 mm, w/brake	2

## ALV600500

CODE  
6080/V

<b>Material</b>	Aluminium
<b>Trolley size only</b>	800x640x1100 h mm
<b>Size with Accessories</b>	-

Basic features	Qty
Drawer 100 h mm	1
Drawer 150 h mm	2
Drawer 200 h mm	2
Key lock	1
Push handle	1
Pull-out worktop	1
Technopolymer bumper	2
Castor, diam. 125 mm	2
Castor, diam. 125 mm, w/brake	2

## ALV600730

CODE  
6091/V

<b>Material</b>	Aluminium
<b>Trolley size only</b>	800x640x1100 h mm
<b>Size with Accessories</b>	-

Basic features	Qty
Half Drawer 200 h mm	6
Drawer 200 h mm	1
Key lock	1
Push handle	1
Pull-out worktop	1
Technopolymer bumper	1
Castor, diam. 125 mm	2
Castor, diam. 125 mm, w/brake	2

## ALV900210

CODE  
60804/V

## ALV900330

CODE  
60812/V

<b>Material</b>	Aluminium
<b>Trolley size only</b>	1100x640x1100 h mm
<b>Size with Accessories</b>	-

Basic features	Qty
Drawer 200 h mm	1
Small Drawer 200 h mm	4
Compartment w/inner shelf	1
Key lock	2
Push handle	1
Pull-out worktop	1
Technopolymer bumper	2
Castor, diam. 125 mm	2
Castor, diam. 125 mm, w/brake	2

<b>Material</b>	Aluminium
<b>Trolley size only</b>	1100x640x1100 h mm
<b>Size with Accessories</b>	-

Basic features	Qty
Drawer 150 h mm	4
Drawer 200 h mm	2
Drawer 300 h mm	2
Key lock	2
Push handle	1
Pull-out worktop	1
Technopolymer bumper	2
Castor, diam. 125 mm	2
Castor, diam. 125 mm, w/brake	2

## ALV900400

CODE  
60809/V

<b>Material</b>	Aluminium
<b>Trolley size only</b>	1100x640x1100 h mm
<b>Size with Accessories</b>	-

Basic features	Qty
Drawer 100 h mm	2
Drawer 150 h mm	4
Drawer 200 h mm	4
Key lock	2
Push handle	1
Pull-out worktop	1
Technopolymer bumper	2
Castor, diam. 125 mm	2
Castor, diam. 125 mm, w/brake	2

## Zeus

CODE  
60900

<b>Material</b>	Baydur
<b>Trolley size only</b>	800x620x930 h mm
<b>Size with Accessories</b>	-

Basic features	Qty
Drawer 70 h mm	2
Drawer 140 h mm	2
Drawer 210 h mm	1
Push handle	1
Tiltable side storage compartment	2
Pull-out worktop	1
Technopolymer bumper	2
Castor, diam. 125 mm	2
Castor, diam. 125 mm, w/brake	2

## Universal

CODE  
60190

<b>Material</b>	Aluminium
<b>Trolley size only</b>	880x620x1080 h mm
<b>Size with Accessories</b>	1100x620x1080 h mm

Basic features	Qty
ISO drawer 70 h mm	1
ISO drawer 140 h mm	2
ISO drawer 280 h mm	1
Retractable door	2
Key lock	1
Front pull-out worktop	1
Technopolymer bumper base	1
Twin castor, diam. 125 mm	2
Twin castor, diam. 125 mm, w/brake	2

Preconfigured Accessories	Item number	Qty
Accessories rail	6075	2
Waste bin	6042	1
Medicine cup dispenser	60493	1

## Universal

CODE  
60188

<b>Material</b>	Aluminium
<b>Trolley size only</b>	880x620x1080 h mm
<b>Size with Accessories</b>	1200x620x1470 h mm

Basic features	Qty
ISO drawer 70 h mm	1
ISO drawer 140 h mm	2
ISO drawer 280 h mm	1
Retractable door	2
Key lock	1
Front pull-out worktop	1
Technopolymer bumper base	1
Twin castor, diam. 125 mm	2
Twin castor, diam. 125 mm, w/brake	2

Preconfigured Accessories	Item number	Qty
Accessories rail	6075	4
Wire basket	8216	1
ABS gloves dispenser	CFS134.35P	1
IV pole	6041	1
ABS soap dispenser	15022	1

## Mini Comfort

CODE  
6072/M

<b>Material</b>	Stainless steel
<b>Trolley size only</b>	680x630x1010 h mm
<b>Size with Accessories</b>	910x630x1010 h mm

Basic features	Qty
Drawer 150 h mm	3
Drawer 300 h mm	1
Key lock	1
Push handle	1
Pull-out worktop	1
Side storage compartment	3
Corner bumper	4
Castor, diam. 125 mm	2
Castor, diam. 125 mm, w/brake	2

Preconfigured Accessories	Item number	Qty
Accessories rail	6075	1
Waste bin	6042	1

## Comfort

CODE  
6072

<b>Material</b>	Stainless steel
<b>Trolley size only</b>	890x630x1010 h mm
<b>Size with Accessories</b>	1120x630x1010 h mm

Basic features	Qty
Drawer 150 h mm	3
Drawer 300 h mm	1
Key lock	1
Push handle	1
Pull-out worktop	1
Side storage compartment	3
Catheter holder	1
Corner bumper	4
Castor, diam. 125 mm	2
Castor, diam. 125 mm, w/brake	2

Preconfigured Accessories	Item number	Qty
Accessories rail	6075	1
Waste bin	6042	1

## Comfort Plus 4I

CODE  
60724

## Comfort Plus 4V

CODE  
60725

<b>Material</b>	Stainless steel
<b>Trolley size only</b>	1180x630x1010 h mm
<b>Size with Accessories</b>	-

<b>Material</b>	Stainless steel
<b>Trolley size only</b>	1180x630x1010 h mm
<b>Size with Accessories</b>	-

Basic features	Qty
Drawer H 150 mm	3
Drawer H 300 mm	1
Key lock	1
Push handle	1
Pull-out worktop	1
Side storage compartment	3
Corner bumper	4
Castor, diam. 125 mm	2
Castor, diam. 125 mm, w/brake	2

Basic features	Qty
Drawer H 150 mm	3
Drawer H 300 mm	1
Key lock	1
Push handle	1
Pull-out worktop	1
Side storage compartment	3
Corner bumper	4
Castor, diam. 125 mm	2
Castor, diam. 125 mm, w/brake	2

## Comfort Plus 8I

CODE  
60722

<b>Material</b>	Stainless steel
<b>Trolley size only</b>	1180x630x1010 h mm
<b>Size with Accessories</b>	-

Basic features	Qty
Drawer H 150 mm	6
Drawer H 300 mm	2
Key lock	2
Push handle	1
Pull-out worktop	1
Side storage compartment	3
Corner bumper	4
Castor, diam. 125 mm	2
Castor, diam. 125 mm, w/brake	2

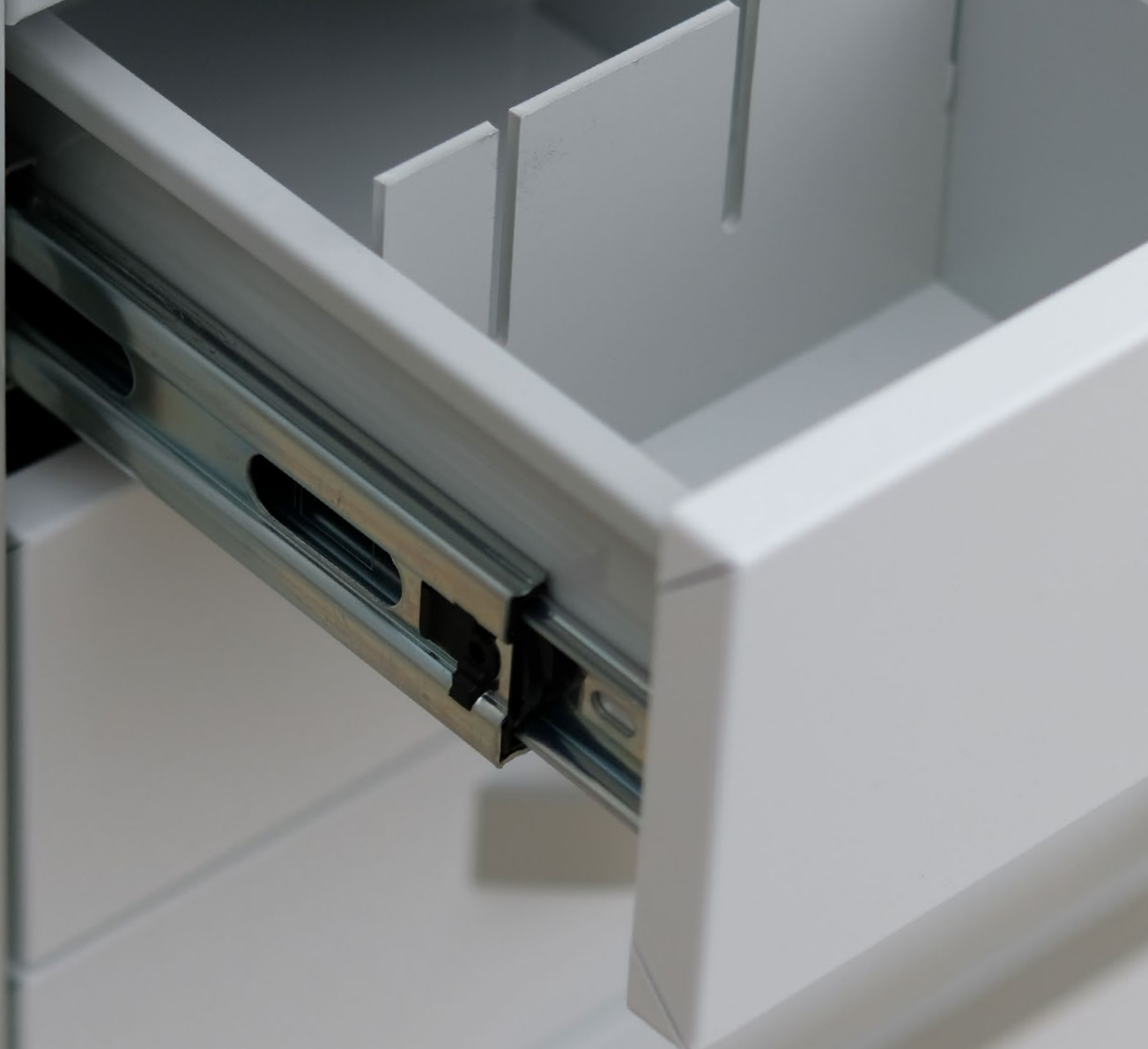
## Comfort Plus 8V

CODE  
60721

<b>Material</b>	Stainless steel
<b>Trolley size only</b>	1180x630x1010 h mm
<b>Size with Accessories</b>	-

Basic features	Qty
Drawer H 150 mm	6
Drawer H 300 mm	2
Key lock	2
Push handle	1
Pull-out worktop	1
Side storage compartment	3
Corner bumper	4
Castor, diam. 125 mm	2
Castor, diam. 125 mm, w/brake	2

 **CFS**  
Italia





PRE-CONFIGURED TROLLEYS

# Anesthesia

## Keep equipment and medications organized

Anesthesia trolleys are a must-have tool in the operating room. It helps anesthesiologists keep everything they need at hand and well organized.

Anesthesia carts by CFS Italia offer:

- clear organization with drawers and compartments of different sizes, so you always know where medications and tools are located;
- a secure locking system that gives only authorized personnel access to dangerous medications;
- useful accessories such as IV pole, upstand with tilt bins, catheter holder and side storage compartments.

Made of durable materials that are easy to clean, our anesthesia trolleys are designed to be practical and safe during every procedure.

### Materials

---

Painted steel  
Technopolymer  
Aluminium  
Aluminium ISO  
Baydur  
Stainless steel

### Drawer colors

---

- GREY
- BLUE
- GREEN
- YELLOW
- ORANGE
- RED

### Frame colors

---

- GREY
- DARK GREY
- BLUE

## Components and Accessories



Upstand



Catheter holder



Centralized braking system



Tilt bins on upstand



Holder for sharps container



Gloves dispenser



Upstand

## Omega

CODE  
6020

<b>Material</b>	Painted steel
<b>Trolley size only</b>	650x600x1060 h mm
<b>Size with Accessories</b>	880x600x1700 h mm

Basic features	Qty
Drawer 100 h mm	1
Drawer 150 h mm	2
Drawer 200 h mm	2
Upstand with 5+4 tilt bins	1
Key lock	1
Push handle	1
Technopolymer bumper	2
Castor, diam. 125 mm	2
Castor, diam. 125 mm, w/brake	2

Preconfigured Accessories	Item number	Qty
Waste bin	6042	1
Accessories rail	6075	1
Pull-up worktop	6043	1
Catheter holder	6046-A	1

## Omega Plus

CODE  
6021

<b>Material</b>	Painted steel
<b>Trolley size only</b>	960x600x1060 h mm
<b>Size with Accessories</b>	1190x600x1700 h mm

Basic features	Qty
Drawer 100 h mm	2
Drawer 150 h mm	4
Drawer 200 h mm	4
Upstand with 5+4 tilt bins	1
Key lock	2
Push handle	2
Technopolymer bumper	2
Castor, diam. 125 mm	2
Castor, diam. 125 mm, w/brake	2

Preconfigured Accessories	Item number	Qty
Waste bin	6042	1
Accessories rail	6075	1
Pull-up worktop	6043	1
Catheter holder	6046-A	1
ABS bottle & vial holder	134.02.00	1
IV pole	6041	1

## Tornado Small

CODE  
7010

## Ciclone Medium

CODE  
7011

<b>Material</b>	Technopolymer
<b>Trolley size only</b>	750x650x1060 h mm
<b>Size with Accessories</b>	870x650x1700 h mm

<b>Material</b>	Technopolymer
<b>Trolley size only</b>	1100x650x1060 h mm
<b>Size with Accessories</b>	1220x650x1700 h mm

Basic features	Qty
Drawer 150 h mm	3
Drawer 300 h mm	1
Key lock	1
Push handle	1
Pull-out worktop	1
Corner bumper	4
Castor, diam. 125 mm	2
Castor, diam. 125 mm, w/brake	2

Basic features	Qty
Drawer 150 h mm	6
Drawer 300 h mm	2
Key lock	2
Push handle	1
Pull-out worktop	1
Corner bumper	4
Castor, diam. 150 mm	2
Castor, diam. 150 mm, w/brake	2

Preconfigured Accessories	Item number	Qty
Upstand with 5+4 tilt bins	6044	1
Tilt-out side compartment	70119	3
Waste bin	6042	1
Accessories rail	6075	1

Preconfigured Accessories	Item number	Qty
Upstand with 5+4 tilt bins	6044	1
Tilt-out side compartment	70119	3
Waste bin	6042	1
Accessories rail	6075	1

## ALV600500

CODE  
6080/V

<b>Material</b>	Aluminium
<b>Trolley size only</b>	800x640x1100 h mm
<b>Size with Accessories</b>	1030x640x1700 h mm

Basic features	Qty
Drawer 100 h mm	1
Drawer 150 h mm	2
Drawer 200 h mm	2
Key lock	1
Push handle	1
Pull-out worktop	1
Technopolymer bumper	2
Castor, diam. 125 mm	2
Castor, diam. 125 mm, w/brake	2

Preconfigured Accessories	Item number	Qty
Upstand with 5+4 tilt bins	6044	1
Waste bin	6042	1
Accessories rail	6075	1

## ALV900310

CODE  
60807/V

<b>Material</b>	Aluminium
<b>Trolley size only</b>	1100x640x1100 h mm
<b>Size with Accessories</b>	1100x640x1700 h mm

Basic features	Qty
Drawer 100 h mm	2
Drawer 150 h mm	1
Drawer 200 h mm	1
Drawer 250 h mm	1
Key lock	1
Push handle	1
Pull-out worktop	1
Technopolymer bumper	2
Castor, diam. 125 mm	2
Castor, diam. 125 mm, w/brake	2

Preconfigured Accessories	Item number	Qty
Upstand with 5+4 tilt bins	6044	1

## Universal

CODE  
60186



<b>Material</b>	Aluminium
<b>Trolley size only</b>	880x620x1080 h mm
<b>Size with Accessories</b>	1200x620x1600 h mm

Basic features	Qty
ISO Drawer 70 h mm	1
ISO Drawer 140 h mm	2
ISO Drawer 280 h mm	1
Retractable door	2
Key lock	1
Technopolymer bumper base	1
Twin castor, diam. 125 mm	2
Twin castor, diam. 125 mm, w/brake	2

Preconfigured Accessories	Item number	Qty
Upstand with 5+4 tilt bins	6044	1
Accessories rail	6075	1
Waste bin	6042	1

## Apollo

CODE  
60914M



<b>Material</b>	Baydur
<b>Trolley size only</b>	800x620x1130 h mm
<b>Size with Accessories</b>	800x620x1720 h mm

Basic features	Qty
Drawer H 140 mm	3
Drawer H 210 mm	2
Key lock	1
Push handle	1
Tiltable side storage compartment	2
Pull-out worktop	1
Technopolymer bumper	2
Castor, diam. 125 mm	2
Castor, diam. 125 mm, w/brake	2

Preconfigured Accessories	Item number	Qty
Upstand with 5+4 tilt bins	6044	1

## Mini Master

CODE  
6071/M

<b>Material</b>	Stainless steel
<b>Trolley size only</b>	680x630x1010 h mm
<b>Size with Accessories</b>	910x630x1640 h mm

Basic features	Qty
Drawer H 150 mm	3
Drawer H 300 mm	1
Key lock	1
Push handle	1
Pull-out worktop	1
Side storage compartment	3
PVC bumper	4
Castor, diam. 125 mm	2
Castor, diam. 125 mm, w/brake	2

Preconfigured Accessories	Item number	Qty
Upstand with 4 tilt bins	60496	1

## Master


CODE  
6071

<b>Material</b>	Stainless steel
<b>Trolley size only</b>	890x630x1040 h mm
<b>Size with Accessories</b>	1120x630x1640 h mm

Basic features	Qty
Drawer H 150 mm	3
Drawer H 300 mm	1
Key lock	1
Push handle	1
Pull-out worktop	1
Side storage compartment	3
Catheter holder	1
PVC bumper	4
Castor, diam. 125 mm	2
Castor, diam. 125 mm, w/brake	2

Preconfigured Accessories	Item number	Qty
Upstand with 4 tilt bins	60496	1





PRE-CONFIGURED TROLLEYS

# Collection and Storage

## Efficient storage and transport of medical equipments and other materials

Storage trolleys are designed to handle large quantities of medical supplies in a safe and convenient manner. Ideal for ensuring efficiency in daily operations, these carts feature baskets and drawers of different sizes for all your needs.

Our storage carts offer:

- easy access and transport thanks to a very practical design and the choice of light-weight but sturdy materials;
- the possibility of standardization in all departments and wards thanks to ISO-compatible baskets and drawers.

Collection and storage trolleys by CFS Italia are designed to fit multiple hospital environments. They are an effective solution to optimize supply management, as well as to maintain an organized and functional work environment.

### Materials

---

Painted steel ISO  
Technopolymer ISO  
Aluminium ISO

### Drawer colors

---

- GREY
- BLUE
- GREEN
- YELLOW
- ORANGE
- RED

### Frame colors

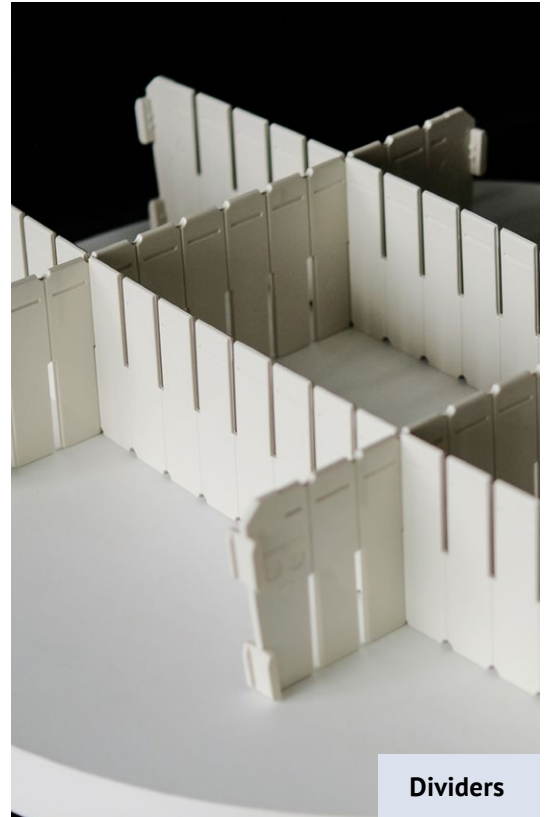
---

- GREY

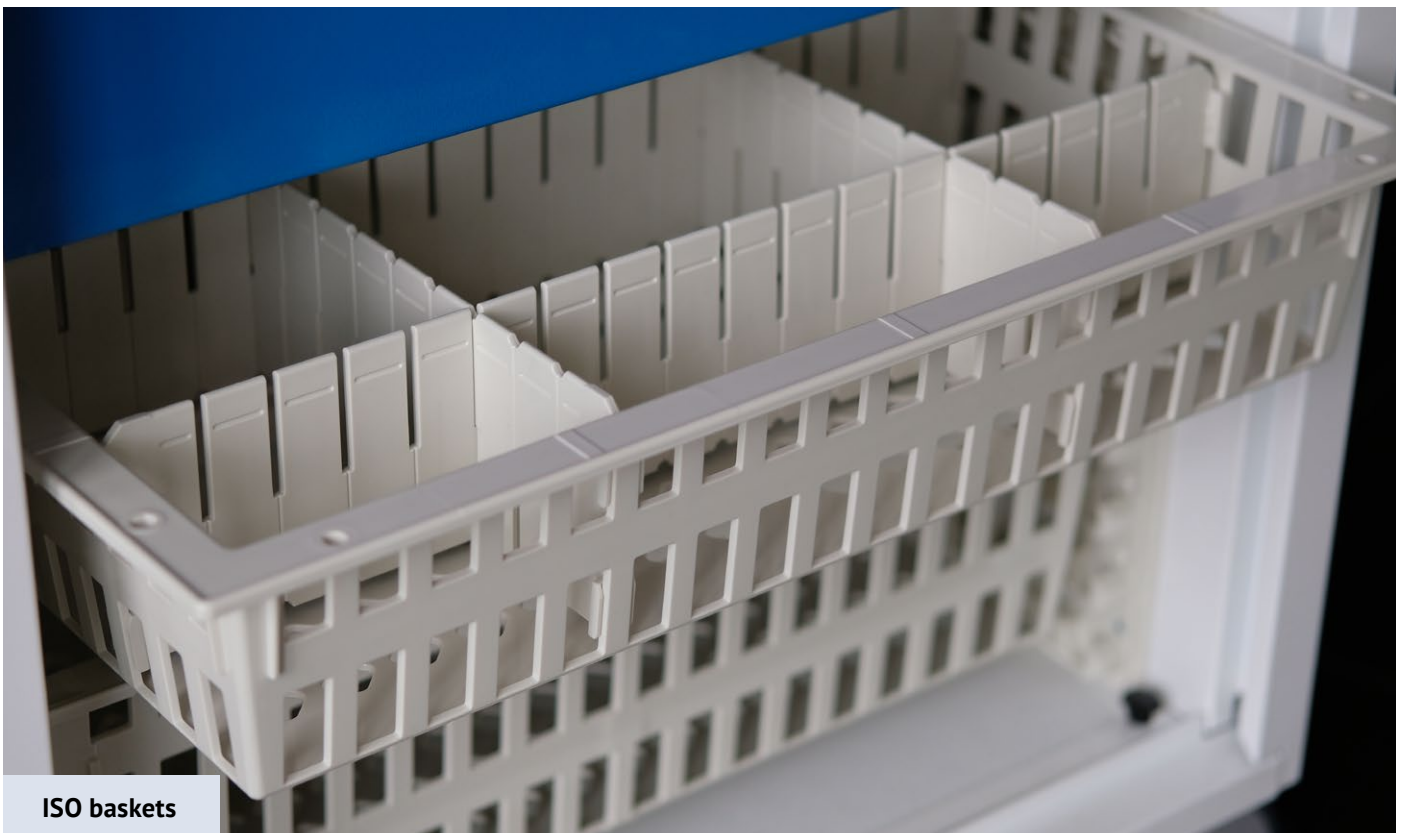
## Components and Accessories



Label holder



Dividers



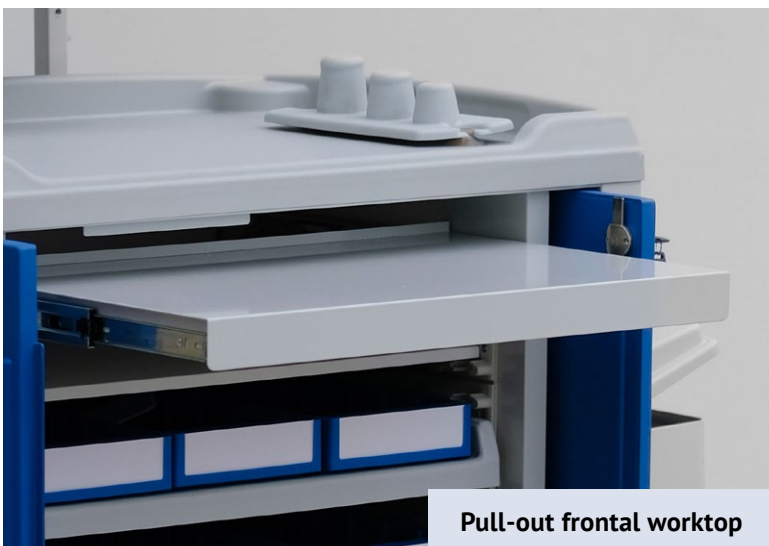
ISO baskets



Roll door



Retractable door



Pull-out frontal worktop



Drawer for ISO basket

## Space ISO-1UB

CODE  
60132C

<b>Material</b>	Painted steel
<b>Trolley size only</b>	700x500x860 h mm
<b>Size with Accessories</b>	-

Basic features	Qty
Roll door	1
Push handle	1
Twin castor, diam. 125 mm	2
Twin castor, diam. 125 mm, w/brake	2

Preconfigured Accessories	Item number	Qty
ISO basket, 50 h mm	40734V	2
ISO basket, 100 h mm	40744V	1

## Space ISO-1B

CODE  
60127C

<b>Material</b>	Painted steel
<b>Trolley size only</b>	700x500x950 h mm
<b>Size with Accessories</b>	-

Basic features	Qty
Roll door	1
Push handle	2
Twin castor, diam. 125 mm	2
Twin castor, diam. 125 mm, w/brake	2

Preconfigured Accessories	Item number	Qty
ISO basket, 50 h mm	40734V	1
ISO basket, 100 h mm	40744V	1
ISO basket, 200 h mm	40754V	1

Space ISO line: the standard version of the carts is 600x400 (overall WxD dimensions of the cart: 700x500 mm), meaning that ISO baskets are inserted on the 600 mm side. CFS Italia can also provide the alternative version, 400x600, where ISO baskets are inserted on the 400 mm side (overall WxD dimensions of the cart: 500x700 mm).

For more info, please contact our Sales Team.

## Space ISO-2B

CODE  
60128C

## Space ISO-3B

CODE  
60133C

<b>Material</b>	Painted steel
<b>Trolley size only</b>	1400x500x910 h mm
<b>Size with Accessories</b>	-

<b>Material</b>	Painted steel
<b>Trolley size only</b>	2100x500x910 h mm
<b>Size with Accessories</b>	-

Basic features	Qty
Roll door	1
Push handle	2
Twin castor, diam. 125 mm	2
Twin castor, diam. 125 mm, w/brake	2

Basic features	Qty
Roll door	1
Push handle	2
Twin castor, diam. 125 mm	2
Twin castor, diam. 125 mm, w/brake	2

Preconfigured Accessories	Item number	Qty
ISO basket, 50 h mm	40734V	2
ISO basket, 100 h mm	40744V	2
ISO basket, 200 h mm	40754V	2

Preconfigured Accessories	Item number	Qty
ISO basket, 50 h mm	40734V	3
ISO basket, 100 h mm	40744V	3
ISO basket, 200 h mm	40754V	3

## Space ISO-1M

CODE  
60122C

<b>Material</b>	Painted steel
<b>Trolley size only</b>	700x500x1200 h mm
<b>Size with Accessories</b>	-

Basic features	Qty
Roll door	1
Push handle	2
Twin castor, diam. 125 mm	2
Twin castor, diam. 125 mm, w/brake	2

Preconfigured Accessories	Item number	Qty
ISO basket, 50 h mm	40734V	1
ISO basket, 100 h mm	40744V	4
ISO basket, 200 h mm	40754V	1

## Space ISO-2M

CODE  
60156C

<b>Material</b>	Painted steel
<b>Trolley size only</b>	1400x500x1200 h mm
<b>Size with Accessories</b>	-

Basic features	Qty
Roll door	1
Push handle	2
Twin castor, diam. 125 mm	2
Twin castor, diam. 125 mm, w/brake	2

Preconfigured Accessories	Item number	Qty
ISO basket, 50 h mm	40734V	2
ISO basket, 100 h mm	40744V	8
ISO basket, 200 h mm	40754V	2

## Space ISO-3M

CODE  
60157C

<b>Material</b>	Painted steel
<b>Trolley size only</b>	2100x500x1200 h mm
<b>Size with Accessories</b>	-

Basic features	Qty
Roll door	1
Push handle	1
Twin castor, diam. 125 mm	2
Twin castor, diam. 125 mm, w/brake	2

Preconfigured Accessories	Item number	Qty
ISO basket, 50 h mm	40734V	3
ISO basket, 100 h mm	40744V	12
ISO basket, 200 h mm	40754V	3

## Space ISO-1

CODE  
60123C

<b>Material</b>	Painted steel
<b>Trolley size only</b>	700x500x1570 h mm
<b>Size with Accessories</b>	-

Basic features	Qty
Roll door	1
Push handle	1
Twin castor, diam. 125 mm	2
Twin castor, diam. 125 mm, w/brake	2

Preconfigured Accessories	Item number	Qty
ISO basket, 50 h mm	40734V	3
ISO basket, 100 h mm	40744V	3
ISO basket, 200 h mm	40754V	2

## Space ISO-2

CODE  
60129C

<b>Material</b>	Painted steel
<b>Trolley size only</b>	1400x500x1570 h mm
<b>Size with Accessories</b>	-

Basic features	Qty
Roll door	1
Push handle	1
Twin castor, diam. 125 mm	2
Twin castor, diam. 125 mm, w/brake	2

Preconfigured Accessories	Item number	Qty
ISO basket, 50 h mm	40734V	6
ISO basket, 100 h mm	40744V	6
ISO basket, 200 h mm	40754V	4

## Space ISO-3

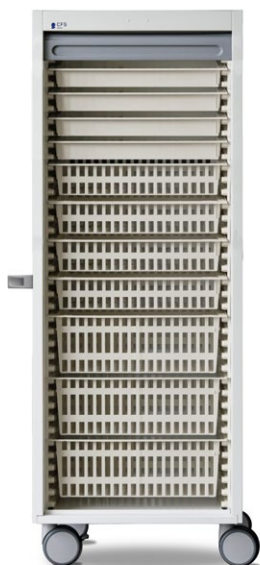
CODE  
60130C

<b>Material</b>	Painted steel
<b>Trolley size only</b>	2100x500x1570 h mm
<b>Size with Accessories</b>	-

Basic features	Qty
Roll door	1
Push handle	1
Twin castor, diam. 125 mm	2
Twin castor, diam. 125 mm, w/brake	2

Preconfigured Accessories	Item number	Qty
ISO basket, 50 h mm	40734V	9
ISO basket, 100 h mm	40744V	9
ISO basket, 200 h mm	40754V	6

## Space ISO-1H

CODE  
60124C

## Space ISO-2H

CODE  
60125C

<b>Material</b>	Painted steel
<b>Trolley size only</b>	700x500x1860 h mm
<b>Size with Accessories</b>	-

<b>Material</b>	Painted steel
<b>Trolley size only</b>	1400x500x1860 h mm
<b>Size with Accessories</b>	-

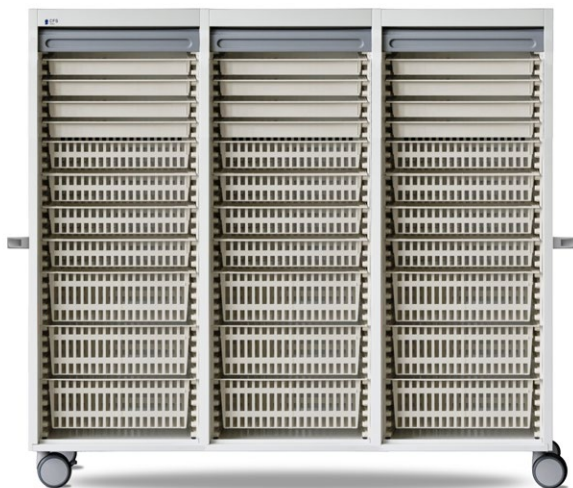
Basic features	Qty
Roll door	1
Push handle	1
Twin castor, diam. 125 mm	2
Twin castor, diam. 125 mm, w/brake	2

Basic features	Qty
Roll door	1
Push handle	1
Twin castor, diam. 125 mm	2
Twin castor, diam. 125 mm, w/brake	2

Preconfigured Accessories	Item number	Qty
ISO basket, 50 h mm	40734V	4
ISO basket, 100 h mm	40744V	4
ISO basket, 200 h mm	40754V	3

Preconfigured Accessories	Item number	Qty
ISO basket, 50 h mm	40734V	8
ISO basket, 100 h mm	40744V	8
ISO basket, 200 h mm	40754V	6

## Space ISO-3H

CODE  
60126C

<b>Material</b>	Painted steel
<b>Trolley size only</b>	2100x500x1860 h mm
<b>Size with Accessories</b>	-

Basic features	Qty
Roll door	1
Push handle	1
Twin castor, diam. 125 mm	2
Twin castor, diam. 125 mm, w/brake	2

Preconfigured Accessories	Item number	Qty
ISO basket, 50 h mm	40734V	12
ISO basket, 100 h mm	40744V	12
ISO basket, 200 h mm	40754V	9

## Alfa 02

CODE  
6010/2

<b>Material</b>	Painted steel
<b>Trolley size only</b>	650x600x1060 h mm
<b>Size with Accessories</b>	-

Basic features	Qty
Push handle	1
Technopolymer bumper	2
Castor, diam. 125 mm	2
Castor, diam. 125 mm, w/brake	2

Preconfigured Accessories	Item no.	Qty
Transparent polycarbonate basket, 50 h mm	40733	4
Transparent polycarbonate basket, 100 h mm	40743	3

## Tornado Large ISO

CODE  
7010/S17

## Universal

CODE  
60185

<b>Material</b>	Painted Steel/Technopolymer
<b>Trolley size only</b>	850x600x1130 h mm
<b>Size with Accessories</b>	950x600x1230 h mm

Basic features	Qty
Drawer 70 h mm, with ISO basket	2
Drawer 140 h mm, with ISO basket	3
Drawer 210 h mm, with ISO basket	1
Pull-out worktop	1
Push handle	1
Corner bumper	4
Castor, diam. 125 mm	2
Castor, diam. 125 mm, w/brake	2

Preconfigured Accessories	Item number	Qty
Side compartment for documents	CFS134.10	1
Removable side storage compartment	70118	4
Electronic lock	CH/EL	1
Tablet holder	60503	1

<b>Material</b>	Aluminium
<b>Trolley size only</b>	880x620x1080 h mm
<b>Size with Accessories</b>	-

Basic features	Qty
Retractable door	2
Key lock	1
Front pull-out worktop	1
Technopolymer bumper base	1
Twin castor, diam. 125 mm	2
Twin castor, diam. 125 mm, w/brake	2

Preconfigured Accessories	Item number	Qty
Accessories rail	6075	2
ISO basket, 50 h mm	40734V	1
ISO basket, 100 h mm	40744V	2
ISO basket, 200 h mm	40754V	1



PRE-CONFIGURED TROLLEYS

# Medical Records

## Easy access to clinical data

Patient chart or medical records trolleys are designed to transport and store patients' clinical data. They are a key tool for keeping all information well organized and easily accessible during ward rounds.

Our patient chart trolleys offer:

- efficient organization with spacious drawers for storing medical records and multiple compartments with dividers for documents of different sizes;
- easy manouverability and access to clinical documents.

Medical records trolleys by CFS Italia are made to simplify medical examination management with practical solutions that will support health-care staff in daily operations. With a versatile design and customizable accessories, these carts facilitate quick access to the information needed for timely care.

### Materials

---

Painted steel  
Technopolymer  
Aluminium

### Drawer colors

---

- GREY
- BLUE
- GREEN
- YELLOW
- ORANGE
- RED

### Frame colors

---

- GREY

## Components and Accessories



Sliding top



Document holder



Roll door



## Mini

CODE  
6033

<b>Material</b>	Painted steel
<b>Trolley size only</b>	670x630x1070 h mm
<b>Size with Accessories</b>	-

Basic features	Qty
Sliding top compartment	1
Drawer 150 h mm	3
Key lock	1
Push handle	1
Corner bumper	4
Castor, diam. 125 mm	2
Castor, diam. 125 mm, w/brake	2

Preconfigured Accessories	Item number	Qty
Hanging file folder	6049	20

## Minidelta

CODE  
6031

<b>Material</b>	Painted steel
<b>Trolley size only</b>	670x630x1070 h mm
<b>Size with Accessories</b>	-

Basic features	Qty
Sliding top compartment	1
Drawer 410 h mm	1
Key lock	1
Push handle	1
Corner bumper	4
Castor, diam. 125 mm	2
Castor, diam. 125 mm, w/brake	2

Preconfigured Accessories	Item number	Qty
Hanging file folder	6049	40

## Delta

CODE  
6030



## Zeta

CODE  
6052/13



<b>Material</b>	Painted steel
<b>Trolley size only</b>	1030x650x950 h mm
<b>Size with Accessories</b>	-

<b>Material</b>	Painted steel
<b>Trolley size only</b>	1000x650x1200 h mm
<b>Size with Accessories</b>	-

Basic features	Qty
Sliding top compartment	1
Drawer 100 h mm	1
Drawer 150 h mm	1
Key lock	1
Push handle	1
Corner bumper	4
Castor, diam. 150 mm	2
Castor, diam. 150 mm, w/brake	2

Basic features	Qty
Sliding top compartment	1
Lower compartment 420 h mm	1
Folder slots	13
Key lock	2
Push handle	1
Corner bumper	4
Castor, diam. 150 mm	2
Castor, diam. 150 mm, w/brake	2

Preconfigured Accessories	Item number	Qty
Hanging file folder	6049	50

Preconfigured Accessories	Item number	Qty
Hanging file folder	6049	30

## Mini File

CODE  
6058-1

<b>Material</b>	Painted steel
<b>Trolley size only</b>	900x550x1200 h mm
<b>Size with Accessories</b>	-

Basic features	Qty
Front compartment	2
Folder slots	22
Roll door	1
Key lock	1
Push handle	1
Corner bumper	4
Castor, diam. 150 mm	2
Castor, diam. 150 mm, w/brake	2

## File

CODE  
6058

<b>Material</b>	Painted steel
<b>Trolley size only</b>	1000x600x1100 h mm
<b>Size with Accessories</b>	-

Basic features	Qty
Front compartment	2
Folder slots	30
Retractable door	2
Key lock	1
Push handle	1
Corner bumper	4
Castor, diam. 150 mm	2
Castor, diam. 150 mm, w/brake	2

**Levante**

CODE  
7020



**Icarus**

CODE  
7030



<b>Material</b>	Technopolymer
<b>Trolley size only</b>	750x650x1060 h mm
<b>Size with Accessories</b>	-

Basic features	Qty
Front compartment	2
Folder slots	24
Hinged door	1
Lateral Drawer 75 h mm	1
Key lock	2
Push handle	1
Corner bumper	4
Castor, diam. 125 mm	2
Castor, diam. 125 mm, w/brake	2

<b>Material</b>	Technopolymer
<b>Trolley size only</b>	950x600x1200h mm
<b>Size with Accessories</b>	-

Basic features	Qty
Front compartment	2
Folder slots	24
Roll door	1
Lateral Drawer 75 h mm	1
Key lock	2
Push handle	1
Corner bumper	4
Castor, diam. 125 mm	2
Castor, diam. 125 mm, w/brake	2

## Universal

CODE  
60182

<b>Material</b>	Aluminium
<b>Trolley size only</b>	880x620x1080 h mm
<b>Size with Accessories</b>	1130x620x1200 h mm

Basic features	Qty
Front compartment	1
Folder slots	16
Retractable door	2
ISO drawer 70 h mm	2
ISO drawer 140 h mm	1
Key lock	1
Technopolymer bumper base	1
Twin castor, diam. 125 mm	2
Twin castor, diam. 125 mm, w/brake	2

Preconfigured Accessories	Item number	Qty
Accessories rail	6075	2
Tablet holder	60503	1
ABS gloves dispenser	CFS134.35P	1
Side compartment for documents	CFS134.10	1
Battery-operated lamp	60497	1

## Universal

CODE  
60191

<b>Material</b>	Aluminium
<b>Trolley size only</b>	880x620x1080 h mm
<b>Size with Accessories</b>	1130x620x1200 h mm

Basic features	Qty
Front compartment	2
Retractable door	2
Key lock	1
Technopolymer bumper base	1
Twin castor, diam. 125 mm	2
Twin castor, diam. 125 mm, w/brake	2

Accessories rail	6042	2
Tablet holder	6075	1
ABS gloves dispenser	6043	1
Side compartment for documents	6046-A	1
Battery-operated lamp	60497	1





PRE-CONFIGURED TROLLEYS

# Isolation

## The safest choice for critical environments

Isolation trolleys are designed to maintain a safe and sterile hospital environment during infectious disease care. These carts are placed outside patient rooms and can be easily recognized by their distinctive yellow color.

With these carts, all materials used, such as gloves, gowns, visors, and shoe covers, remain isolated to prevent the spread of germs. It is essential that these carts are well organized to minimize the risk of contagion.

Our isolation trolleys offer:

- visibility and recognizability, for easy identification of contents and use;
- convenient and quick access to needed materials;
- useful accessories such as a sterilization tray, special waste holder and gloves holder.

Isolation trolleys by CFS Italia are designed to facilitate the work of healthcare personnel and manage infections effectively and safely.

### Materials

---

Painted steel  
Aluminium

### Drawer colors

---

 YELLOW

### Frame colors

---

 GREY

## Components and Accessories



Drawers



Key lock



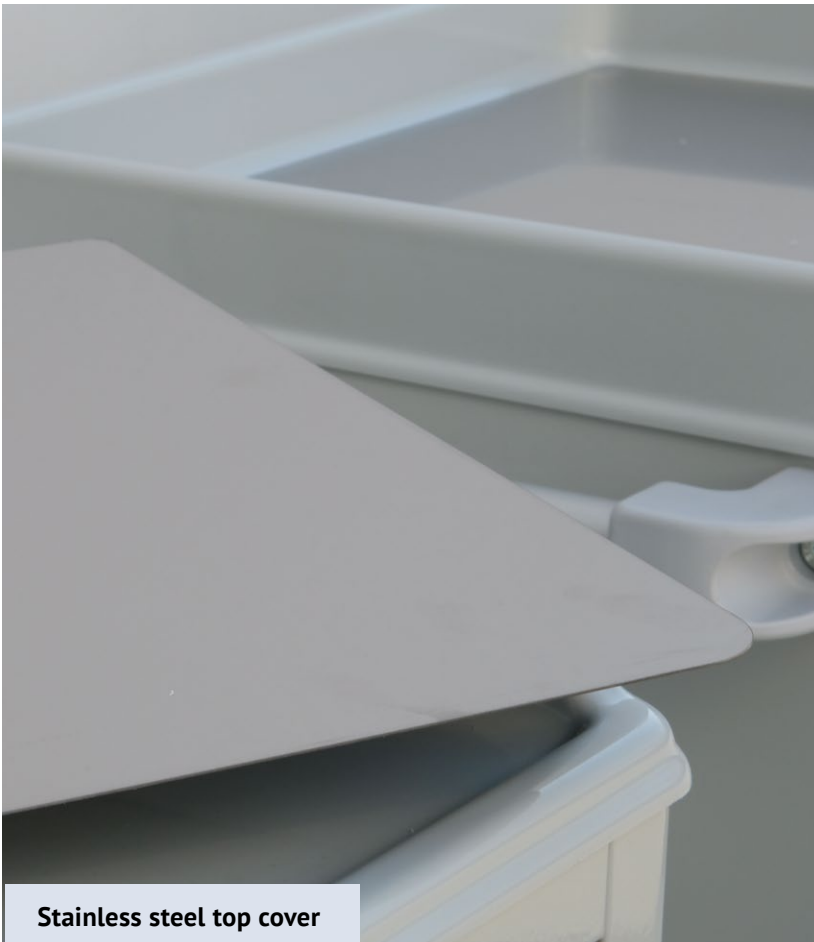
Side compartments



Wire basket



Waste bin



Stainless steel top cover



Soap dispenser

## Alfa 01P

CODE  
6010P

<b>Material</b>	Painted steel
<b>Trolley size only</b>	650x600x1060 h mm
<b>Size with Accessories</b>	880x600x1060 h mm

Basic features	Qty
Drawer 100 h mm	1
Drawer 150 h mm	2
Drawer 200 h mm	2
Key lock	1
Pull-out worktop	1
Push handle	1
Technopolymer bumper	2
Castor, diam. 125 mm	2
Castor, diam. 125 mm, w/brake	2

Preconfigured Accessories	Item number	Qty
Waste bin	6042	1
Accessories bar	6075	1
ABS soap/gel dispenser	150222	1

## Alfa 23

CODE  
6012

<b>Material</b>	Painted steel
<b>Trolley size only</b>	960x600x1060 h mm
<b>Size with Accessories</b>	1060x600x1060 h mm

Basic features	Qty
Drawer 100 h mm	2
Drawer 150 h mm	4
Drawer 200 h mm	4
Key lock	2
Push handle	2
Technopolymer bumper	2
Castor, diam. 125 mm	2
Castor, diam. 125 mm, w/brake	2

Preconfigured Accessories	Item number	Qty
Vertical S/S triple gloves dispenser	CFS134.35M	1
Accessories rail	6075	1
ABS soap/gel dispenser	150222	1

## ALV600500

CODE  
6080/V

## ALV900310

CODE  
60807/V

<b>Material</b>	Aluminium
<b>Trolley size only</b>	800x640x1100 h mm
<b>Size with Accessories</b>	900x640x1100 h mm

Basic features	Qty
Drawer 100 h mm	1
Drawer 150 h mm	2
Drawer 200 h mm	2
Key lock	1
Push handle	1
Pull-out worktop	1
Technopolymer bumper	2
Castor, diam. 125 mm	2
Castor, diam. 125 mm, w/brake	2

Preconfigured Accessories	Item number	Qty
Vertical S/S triple gloves dispenser	CFS134.35M	1
Accessories rail	6075	1
ABS soap/gel dispenser	150222	1

<b>Material</b>	Aluminium
<b>Trolley size only</b>	1100x640x1100 h mm
<b>Size with Accessories</b>	1200x640x1100 h mm

Basic features	Qty
Drawer 100 h mm	2
Drawer 150 h mm	1
Drawer 200 h mm	1
Drawer 250 h mm	1
Key lock	1
Push handle	2
Pull-out worktop	1
Technopolymer bumper	2
Castor, diam. 125 mm	2
Castor, diam. 125 mm, w/brake	2

Preconfigured Accessories	Item number	Qty
Waste bin	6042	1
Accessories bar	6075	1
ABS soap/gel dispenser	150222	1



PRE-CONFIGURED TROLLEYS

# Pediatric

## Safe management of critical events

Pediatric trolleys are specialized trolleys equipped with 8 or 9 drawers of various colors according to the Broselow tape, a color-coded system known worldwide. Each drawer contains the most common accessories needed during resuscitation procedures.

Broselow tape measures the child's height and identifies a specific weight range, defined by a specific color. With the help of this tool healthcare personnel is able to provide the most appropriate treatment for each child.

With pediatric emergency trolleys by CFS Italia and color-coded drawers, healthcare staff can:

- easily identify emergency supplies in a timely manner;
- find the appropriate material for a specific weight range;
- simplify emergency procedures;
- organize materials for advanced pediatric support.

Pediatrics trolleys allow emergency professionals quick access to a patient's resuscitation kit or materials. This system increases the chances of saving a child's life, especially in critical, high-stress situations.

### Materials

---

Painted steel  
Technopolymer ISO  
Technopolymer  
Aluminium

### Drawer colors

---

-  BLUE
-  GREEN
-  GREY
-  ORANGE
-  PINK
-  PURPLE
-  RED
-  WHITE
-  YELLOW

### Frame colors

---

-  GREY
-  DARK GREY
-  BLUE

## Components and Accessories



Broselow Tape drawers



IV pole



Lock by seals



Defibrillator support



CPR backboard



Back side



Antistatic castor



Suction machine support

## Paediatric Genius

CODE  
6050/P

<b>Material</b>	Painted steel
<b>Trolley size only</b>	650x600x1060 h mm
<b>Size with Accessories</b>	880x600x1470 h mm

Basic features	Qty
Drawer 75 h mm	4
Drawer 100 h mm	5
Lock by seals	1
Push handle	1
Technopolymer bumper	2
Castor, diam. 125 mm, antistatic	2
Castor, diam. 125 mm, w/brake	2

Preconfigured Accessories	Item number	Qty
Defibrillator support	60501	1
IV pole	6041	1
CPR backboard	70120	1
Oxygen cylinder holder	60663	1
Catheter holder	6046-A	1
Waste bin	6042	1
Accessories rail	6075	1
Bag of numbered seals	6064	1

Paediatric Tornado  
Large ISO plusCODE  
7010/S14

<b>Material</b>	Technopolymer
<b>Trolley size only</b>	950x600x1060 h mm
<b>Size with Accessories</b>	1070x600x1470 h mm

Basic features	Qty
Drawer 70 h mm	8
Drawer 140 h mm	1
Lock by seals	1
Push handle	1
Pull-out worktop	1
Corner bumper	4
Castor, diam. 125 mm, antistatic	2
Castor, diam. 125 mm, w/brake	2

Preconfigured Accessories	Item number	Qty
Defibrillator support	60501	1
IV pole	6041	1
CPR backboard	70120	1
Oxygen cylinder holder	6059	1
Catheter holder	6046-A	1
Waste bin	6042	1
Accessories rail	6075	1
Bag of numbered seals	6064	1

## Paediatric Storm

CODE  
7016



## Paediatric ALV600500

CODE  
6080/P



<b>Material</b>	Technopolymer
<b>Trolley size only</b>	750x650x1060 h mm
<b>Size with Accessories</b>	870x650x1470 h mm

Basic features	Qty
Drawer 75 h mm	4
Drawer 100 h mm	5
Lock by seals	1
Push handle	1
Pull-out worktop	1
Corner bumper	4
Castor, diam. 125 mm, antistatic	2
Castor, diam. 125 mm, w/brake	2

Preconfigured Accessories	Item number	Qty
Defibrillator support	60501	1
IV pole	6041	1
CPR backboard	70120	1
Oxygen cylinder holder	6059	1
Catheter holder	6046-A	1
Tilting side storage compartment	70119	3
Waste bin	6042	1
Accessories rail	6075	1
Bag of numbered seals	6064	1

<b>Material</b>	Aluminium
<b>Trolley size only</b>	800x640x1100 h mm
<b>Size with Accessories</b>	1030x640x1470 h mm

Basic features	Qty
Drawer 100 h mm	8
Lock by seals	1
Push handle	1
Pull-out worktop	1
Technopolymer bumper	2
Castor, diam. 125 mm, antistatic	2
Castor, diam. 125 mm, w/brake	2

Preconfigured Accessories	Item number	Qty
Defibrillator support	60501	1
IV pole	6041	1
CPR backboard	70120	1
Oxygen cylinder holder	60663	1
Catheter holder	6046-A	1
Waste bin	6042	1
Accessories rail	6075	1
Bag of numbered seals	6064	1



PRE-CONFIGURED TROLLEYS

# Phlebotomy

## The ideal solution for blood collection

Phlebotomy carts are essential to ensure that the blood sampling process is carried out quickly and safely. Designed to keep all necessary tools handy, these carts make phlebotomists' work easier and more effective.

Our phlebotomy trolleys offer:

- easy transport and maneuverability thanks to the lightweight and durable frame;
- optimal storage of vials, syringes and medical equipment, with well-distributed drawers and containers;
- enhanced safety and hygiene with specific holders for gloves, waste and needle containers;
- operational efficiency with side compartments for documents.

Designed for the daily needs of phlebotomists, our trolleys feature numerous drawers and compartments for clear and quick organization. Accessories such as a glove holder, waste bin, and holder for sharps containers ensure that every instrument is easily accessible and ready for use.

Materials have been carefully chosen to have a lightweight and durable frame, ideal for easy and safe transportation between rooms.

### Materials

---

Painted steel

### Drawer colors

---

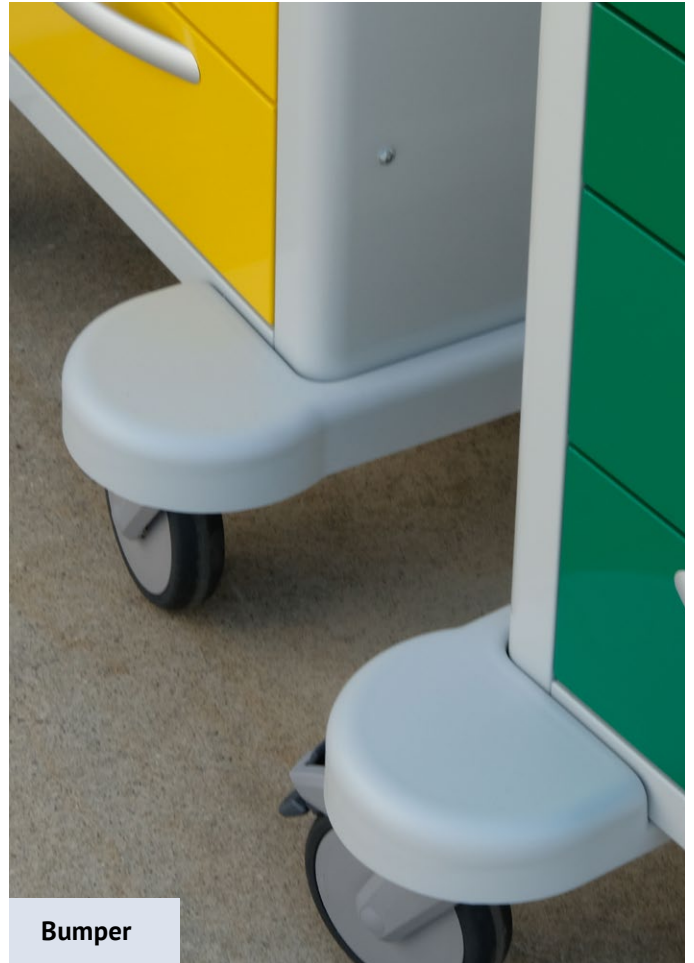
- GREY
- BLUE
- GREEN
- YELLOW
- ORANGE
- RED

### Frame colors

---

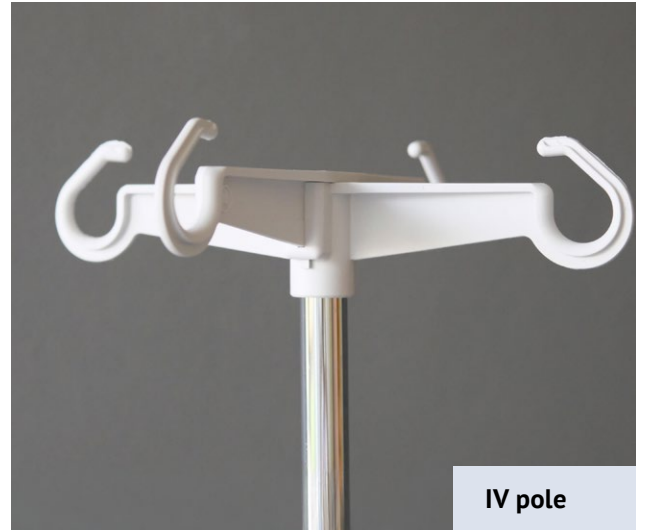
- GREY

## Components and Accessories





Pull-out worktop



IV pole



Waste bin



Drawers

## Alfa 01/B

CODE  
6019

<b>Material</b>	Painted steel
<b>Trolley size only</b>	650x600x860 h mm
<b>Size with Accessories</b>	880x600x860 h mm

Basic features	Qty
Drawer 100 h mm	3
Drawer 150 h mm	2
Key lock	1
Push handle	1
Technopolymer bumper	2
Castor, diam. 125 mm	2
Castor, diam. 125 mm, w/brake	2

Preconfigured Accessories	Item number	Qty
Waste bin	6042	1
Accessories rail	6075	1
Holder for sharps container	6067	1
ABS gloves dispenser	CFS134.35P	1

## Alfa 01UB

CODE  
6019UB

<b>Material</b>	Painted steel
<b>Trolley size only</b>	650x600x760 h mm
<b>Size with Accessories</b>	760x600x760 h mm

Basic features	Qty
Drawer 100 h mm	2
Drawer 150 h mm	2
Key lock	1
Push handle	1
Technopolymer bumper	2
Castor, diam. 125 mm	2
Castor, diam. 125 mm, w/brake	2

Preconfigured Accessories	Item number	Qty
Holder for sharps container	6067	1
ABS gloves dispenser	CFS134.35P	1

## Help

CODE  
6036

<b>Material</b>	Painted steel
<b>Trolley size only</b>	700x460x820 h mm
<b>Size with Accessories</b>	-

<b>Basic features</b>	<b>Qty</b>
Drawer 100 h mm	3
Push handle	1
Key lock	1
Castor, diam. 80 mm	4

## Help 1

CODE  
60361

<b>Material</b>	Painted steel
<b>Trolley size only</b>	700x460x720/820h mm
<b>Size with Accessories</b>	-

<b>Basic features</b>	<b>Qty</b>
Drawer 100 h mm	3
Push handle	1
Key lock	1
Castor, diam. 80 mm	5

# Furniture

We manufacture our products starting with a careful study of the materials, then we design them according to the daily needs of patients and healthcare personnel, and the environment in which they operate. With great attention to detail, quality, and design, we transform hospital spaces into welcoming and familiar places tailored to fit your requirements.





**Service**

Stainless steel trolleys with multiple configurations: drawers are made of technopolymer or stainless steel, shelves can be fixed or removable.

*From page 164*



**Linen & Laundry**

A line of solid and functional trolleys, specially designed for the collection, distribution, and storage of linen.

*From page 172*



**OT & Sterilization**

A range of stainless steel trolleys designed to meet sterilization standards and ensure maximum hygiene.

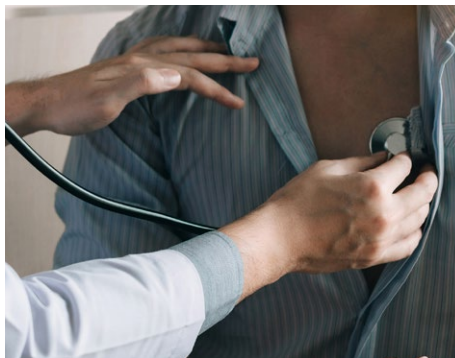
*From page 182*



**Patient Transfer**

Stretchers and wheelchairs designed to improve patient mobility, ensuring comfort and safety.

*From page 190*



**Patient Care**

A complete range of couches, IV poles, and stools to make examination rooms and treatment wards comfortable and functional.

*From page 196*



FURNITURE

# Service



CFS 01F

## Service Trolley

Trolley with 2 fixed shelves with raised edges on 4 swivel castors diam. 125 mm, 2 lockable

**Material:** Stainless steel

Code	Dimensions	Code	Dimensions
3016	700x600x950h mm	3018	1000x700x950 h mm
3021	900x600x950 h mm	3025	1100x700x950 h mm
3029	1000x600x950 h mm	3023	1300x700x950 h mm
3022	1100x600x950 h mm		



CFS 03F

## Service trolley

Trolley with 3 fixed shelves with raised edges on 4 swivel castors diam. 125 mm, 2 lockable

**Material:** Stainless steel

Code	Dimensions	Code	Dimensions
3055	700x600x950 h mm	3056	1000x700x950 h mm
3051	900x600x950 h mm	3053	1100x700x950 h mm
3057	1000x600x950 h mm	3058	1300x700x9500 h mm
3052	1100x600x950 h mm		



CFS 01A

## Service trolley

Trolley with 2 removable shelves with raised edges on 4 swivel castors diam. 125 mm, 2 lockable

**Material:** Stainless steel

Code	Dimensions
3010	660x460x850 h mm
3011	860x560x850 h mm
3012	1060x660x850 h mm



CFS 03A

## Service trolley

Trolley with 3 removable shelves with raised edges on 4 swivel castors diam. 125 mm, 2 lockable

**Material:** Stainless steel

Code	Dimensions
3040	660x460x850 h mm
3041	860x560x850 h mm
3042	1060x660x850 h mm



CFS 01FC

## Service Trolley

Trolley with 2 flat shelves without push handles on 4 swivel castors diam. 125 mm, 2 lockable

**Material:** Stainless steel

Code	Dimensions
1557	630x430x800 h mm
1558	930x630x800 h mm
1559	1200x630x800 h mm



CFS 44

CODE: 3009

## Multipurpose trolley

Trolley with 2 flat shelves (400x400 mm) with 4-sided railing, 4 castors diam. 80 mm

**Material:** Stainless steel

**Dimensions:** 500x480x1000 h mm



30304

CODE: 30304

## Service trolley

Trolley with 2 flat shelves with 3-sided railing and 1 drawer with built-in handle, 4 castors diam. 125 mm, 2 lockable

**Material:** Stainless steel

**Dimensions:** 490x490x900 h mm



30305

CODE: 30305

## Service trolley

Trolley with 2 flat shelves with 3-sided railing and 2 drawers with built-in handles, 4 castors diam. 125 mm, 2 lockable

**Material:** Stainless steel

**Dimensions:** 490x490x900 h mm



CFS 02

CODE: 3030

## Service trolley

Trolley with 2 removable shelves with raised edges, 2 drawers with built-in handles, 4 castors diam. 125 mm, 2 lockable

**Material:** Stainless steel

**Dimensions:** 860x560x850 h mm



CFS 04

CODE: 3060

## Service trolley

Trolley with 2 removable shelves with raised edges, 4 drawers with built-in handles, 4 castors diam. 125 mm, 2 lockable

**Material:** Stainless steel

**Dimensions:** 860x560x850 h mm



T507025

CODE: T507025

## Dressing trolley

Trolley with 1 fixed shelf with raised edges, 8 drawers with plastic handle, 4 castors diam. 125 mm, 2 lockable

**Material:** Stainless steel

**Dimensions:** 860x560x950 h mm



T507030

CODE: T507030

## Dressing trolley

Trolley with 1 fixed shelf with raised edges, 6 drawers with plastic handle, 4 castors diam. 125 mm, 2 lockable

**Material:** Stainless steel

**Dimensions:** 860x560x950 h mm



T507310

CODE: T507310

## Dressing trolley

Trolley with 2 fixed shelves with raised edges, 4 technopolymer drawers, 4 castors diam. 125 mm, 2 lockable

**Material:** Stainless steel

**Dimensions:** 860x560x950 h mm



T507034

CODE: T507034

## Dressing trolley

Trolley with 3 fixed shelves with raised edges, 4 technopolymer drawers, 4 castors diam. 125 mm, 2 lockable

**Material:** Stainless steel

**Dimensions:** 1260x560x950 h mm

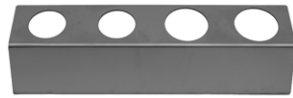


# Accessories



## Shelf railing

4057 on three sides  
4058 on four sides



## S/S bottle and vial holder

3101



## S/S waste bin

3070



## S/S basin

3100



## S/S tray

3090



## S/S single gloves dispenser

CFS134.35I



## S/S triple vertical gloves dispenser

CFS134.35M



## IV pole

6041



18.300/01

CODE: 18.300/01

## Modular trolley, 2 shelves

Trolley made by aluminium uprights and 1 painted steel shelf (500x420 mm) adjustable in height. Painted steel base on 4 swivel castors diam. 100 mm, 2 lockable

**Material:** aluminium / painted steel

**Dimension (WxD):** 580x480 mm

**Load capacity:** 100 kg

**Dimension (H):** 915 h mm



18.300/02

CODE: 18.300/02

## Modular trolley, 3 shelves

Trolley made by aluminium uprights and 2 painted steel shelves (500x420 mm) adjustable in height. Painted steel base on 4 swivel castors diam. 100 mm, 2 lockable

**Material:** aluminium / painted steel

**Dimension (WxD):** 580x480 mm

**Load capacity:** 100 kg

**Dimension (H):** 915 h mm



18.300/04

CODE: 18.300/04

## Modular trolley, 2 shelves & 1 drawer

Trolley made by aluminium uprights, 1 painted steel shelf (500x420 mm) and 1 drawer (500x420x150 h mm) adjustable in height. Painted steel base on 4 swivel castors diam. 100 mm, 2 lockable

**Material:** aluminium / painted steel

**Dimension (WxD):** 580x480 mm

**Load capacity:** 100 kg

**Dimension (H):** 915 h mm



18.300/05

CODE: 18.300/05

## Modular trolley, 3 shelves & 1 drawer

Trolley made by aluminium uprights, 2 painted steel shelves (500x420 mm) and 1 drawer. Painted steel base on 4 swivel castors diam. 100 mm, 2 lockable

**Material:** aluminium / painted steel

**Dimension (WxD):** 580x480 mm

**Load capacity:** 100 kg

**Dimension (H):** 915 h mm

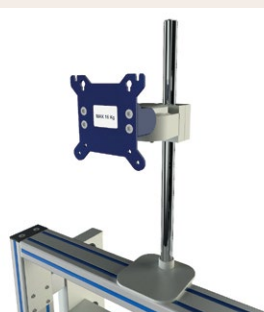
# Accessories



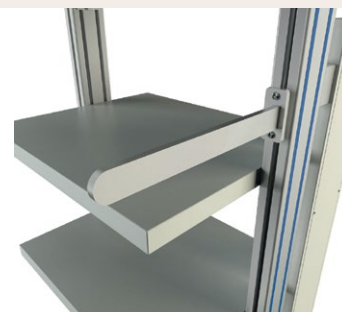
**Three sides shelf railing**  
19.011



**Fairlead bracket**  
19.037



**Monitor holder**  
19.101



**Accessories rail**  
19.111



**IV pole, 2 hooks**  
19.121



FURNITURE

# Linen & Laundry



R1C

CODE: 1050C

## Linen hamper

Trolley with bag holding ring (350x255 mm) made of glass reinforced nylon. 4 swivelling rubber castors, diam. 80 mm

**Material:** Stainless steel

**Dimensions:** 400x500x910 h mm

**Load capacity:** 110 LT



R2C

CODE: 1051C

## Linen hamper

Trolley with 2 bag holding rings (350x255 mm) made of glass reinforced nylon. 4 swivelling rubber castors, diam. 80 mm

**Material:** Stainless steel

**Dimensions:** 750x500x910h mm

**Load capacity:** 220 LT



R3C

CODE: 1052C

## Linen hamper

Trolley with 3 bag holding rings (350x255 mm) made of glass reinforced nylon. 4 swivelling rubber castors, diam. 80 mm

**Material:** Stainless steel

**Dimensions:** 1100x500x910 h mm

**Load capacity:** 330 LT



R4C

CODE: 1053C

## Linen hamper

Trolley with 4 bag holding rings (350x255 mm) made of glass reinforced nylon. 4 swivelling rubber castors, diam. 80 mm

**Material:** Stainless steel

**Dimensions:** 1450x500x910 h mm

**Load capacity:** 440 LT



R1/APC

CODE: 1054C

## Linen hamper

Trolley with bag holding ring (350x255 mm) made of glass reinforced nylon. Equipped with plastic pedal for lid actuation (lid quoted separately). 4 swivelling rubber castors, diam. 80 mm

**Material:** Stainless steel

**Dimensions:** 400x500x910 h mm

**Load capacity:** 110 LT



R2/APC

CODE: 1055C

## Linen hamper

Trolley with 2 bag holding rings (350x255 mm) made of glass reinforced nylon. Equipped with plastic pedal for lid actuation (lid quoted separately). 4 swivelling rubber castors, diam. 80 mm

**Material:** Stainless steel

**Dimensions:** 750x500x910h mm

**Load capacity:** 220 LT



R3/APC

CODE: 1056C

## Linen hamper

Trolley with 3 bag holding rings (350x255 mm) made of glass reinforced nylon. Equipped with plastic pedal for lid actuation (lid quoted separately). 4 swivelling rubber castors, diam. 80 mm

**Material:** Stainless steel

**Dimensions:** 1100x500x910 h mm

**Load capacity:** 330 LT



R4/APC

CODE: 1057C

## Linen hamper

Trolley with 4 bag holding rings (350x255 mm) made of glass reinforced nylon. Equipped with plastic pedal for lid actuation (lid quoted separately). 4 swivelling rubber castors, diam. 80 mm

**Material:** Stainless steel

**Dimensions:** 1450x500x910 h mm

**Load capacity:** 440 LT



R1/KC

CODE: 1050/KC

## Linen hamper

Trolley with bag holding ring (350x255 mm) made of glass reinforced nylon. 4 swivelling rubber castors, diam. 80 mm. CIAK with pedal-operated opening/closing system. White ABS plastic recessed base. 4 swivelling rubber castors, diam. 80 mm

**Material:** Stainless steel

**Dimensions:** 1000x500x990 h mm

**Load capacity:** 110 + 70 LT



R2/KC

CODE: 1051/KC

## Linen hamper

Trolley with 2 bag holding rings (350x255 mm) made of glass reinforced nylon. 4 swivelling rubber castors, diam. 80 mm. CIAK with pedal-operated opening/closing system. White ABS plastic recessed base. 4 swivelling rubber castors, diam. 80 mm

**Material:** Stainless steel

**Dimensions:** 1350x500x990 h mm

**Load capacity:** 220 + 70 LT



R1/APKC

CODE: 10541C

## Linen hamper

Trolley with bag holding ring (350x255 mm) made of glass reinforced nylon. 4 swivelling rubber castors, diam. 80 mm. CIAK with pedal-operated opening/closing system. White ABS plastic recessed base. 4 swivelling rubber castors, diam. 80 mm

**Material:** Stainless steel

**Dimensions:** 1000x500x990 h mm

**Load capacity:** 110 + 70 LT



R2/APKC

CODE: 1060C

## Linen hamper

Trolley with 2 bag holding rings (350x255 mm) made of glass reinforced nylon. 4 swivelling rubber castors, diam. 80 mm. CIAK with pedal-operated opening/closing system. White ABS plastic recessed base. 4 swivelling rubber castors, diam. 80 mm

**Material:** Stainless steel

**Dimensions:** 1350x500x990 h mm

**Load capacity:** 220 + 70 LT

# Accessories



**ABS lid, color blue**

L02B



**ABS lid, color yellow**

L02J



**ABS lid, color red**

L02R



**ABS lid, color white**

L02W



**Push handle**

HLBC



**ABS base plate,  
color white**

AXB01      AXB03  
AXB02      AXB04



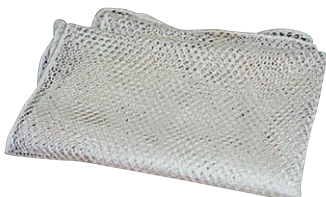
**White linen bag**

1010



**Coloured linen bag**

1020



**Mesh bag 600x400  
mm, 24 LT.**

1040



**Mesh bag 900x600  
mm, 80 LT.**

1041



**S/S holder for  
diapers/aprons**

60489



**Castors**

RH/1FK 2 lockable  
RH/1AK 4 antistatic  
RH/1FKA 2 lockable 2 antistatic



CIAK

CODE: 12033C

## Bag holder

Trolley with pedal-operated opening/closing system. White ABS plastic recessed base. 4 swivelling rubber castors, diam. 80 mm, 2 with brake.

**Material:** Stainless steel

**Dimensions:** 600x500x990 h mm

**Load capacity:** 70 LT



DOUBLE CIAK

CODE: 12032C

## Bag holder

Trolley with pedal-operated opening/closing system. White ABS plastic recessed base. 4 swivelling rubber castors, diam. 80 mm, 2 with brake.

**Material:** Stainless steel

**Dimensions:** 1200x500x990 h mm

**Load capacity:** 140 LT



JUNIOR/K

CODE: 1065

## Collection/distribution trolley

Trolley with 3 shelves for clean linen and 2 bag holders that can be equipped with a lid. The front part it is equipped with CIAK, for the collection of waste materials. 4 swivelling rubber castors, diam. 125 mm, 2 with brake.

**Material:** Stainless steel

**Dimensions:** 1350x680x1050 h mm

**Load capacity:** 140 + 70 LT



SENIOR/K

CODE: 1073

## Collection/distribution trolley

Trolley with 2 bag holders that can be equipped with a lid. Cabinet equipped with 2 inner height-adjustable shelves, secured by key lock. Worktop with protective railing. Door opening at 270°. The front part it is equipped with CIAK, for the collection of waste materials. 4 swivelling rubber castors, diam. 125 mm, 2 with brake.

**Material:** Stainless steel

**Dimensions:** 1350x680x1140 h mm

**Load capacity:** 140 + 70 LT



JUNIOR

CODE: 1061

## Collection/distribution trolley

Trolley with 3 shelves (useful dimensions: 580x 460 mm) and 2 bag holders that can be equipped with a lid. 4 swivelling rubber castors, diam. 125 mm, 2 with brake.

**Material:** Stainless steel

**Dimensions:** 1000x680x1050 h mm

**Load capacity:** 140 LT



JUNIOR/AP

CODE: 1063

## Collection/distribution trolley

Trolley with 3 shelves (useful dimensions: 580x 460 mm) and 2 bag holders equipped with lid & pedal-operated opening/closing system. 4 swivelling rubber castors, diam. 125 mm, 2 with brake.

**Material:** Stainless steel

**Dimensions:** 1060x680x1050 h mm

**Load capacity:** 140 LT



SENIOR

CODE: 1070

## Collection/distribution trolley

Trolley with 2 bag holders that can be equipped with a lid. Cabinet equipped with 2 inner height-adjustable shelves, secured by key lock. Worktop with protective railing. Door opening at 270°. 4 swivelling rubber castors, diam. 125 mm, 2 with brake.

**Material:** Stainless steel

**Dimensions:** 1000x680x1140 h mm

**Load capacity:** 140 LT



SENIOR/AP

CODE: 1076

## Collection/distribution trolley

Trolley with 2 bag holders equipped with lid & pedal-operated opening/closing system. Cabinet equipped with 2 inner height-adjustable shelves, secured by key lock. Worktop with protective railing. Door opening at 270°. 4 swivelling rubber castors, diam. 125 mm, 2 with brake.

**Material:** Stainless steel

**Dimensions:** 1060x680x1140 h mm

**Load capacity:** 140 LT



CLEAN

CODE: 1110

### Collection/distribution trolley

Trolley with 2 hinged doors opening at 270°, with anti-dust gaskets and key lock. 1 inner height-adjustable shelf. 4 rubber castors, diam. 160 mm, 2 fixed and 2 swivelling with brake.

**Material:** Stainless steel

**Dimensions:** 1010x700x1296 mm

**Load capacity:** 650 LT



DELLY

CODE: 6051/SC

### Collection/distribution trolley

Trolley with 2 hinged doors secured by key lock. 3 inner height-adjustable shelves. 4 swivelling rubber castors, diam. 150 mm, 2 with brake.

**Material:** Epoxy-painted steel

**Dimensions:** 960x550x1160h mm

**Load capacity:** 570 LT



SENIOR S/J

CODE: 1077

### Collection/distribution trolley

Trolley with 3 open shelves for clean linen. Cabinet equipped with 2 inner height-adjustable shelves, secured by key lock. Worktop with protective railing. Door opening at 270°. 4 swivelling rubber castors, diam. 125 mm, 2 with brake.

**Material:** Stainless steel

**Dimensions:** 1090x680x1140 h mm

**Load capacity:** 100 KG



SENIOR S/S

CODE: 1071

### Collection/distribution trolley

Trolley equipped with 2 inner height-adjustable shelves, secured by key lock. Door opening at 270°. Worktop with protective railing. 4 swivelling rubber castors, diam. 125 mm, 2 with brake.

**Material:** Stainless steel

**Dimensions:** 630x500x1140 h mm

**Load capacity:** 100 KG



DIRTY

CODE: 1120

## Collection/distribution trolley

Trolley with foldable top and front panel, drainage bottom tap, 4 rubber castors diam. 160 mm, 2 fixed and 2 swivelling

**Material:** Stainless steel

**Dimensions:** 1350x650x1276 h mm

**Load capacity:** 650 LT



NF

## Laundry trolley

Non-perforated trolley with reinforced ribs every 120 mm. 4 rubber castors, diam. 100 mm, 2 fixed and 2 swivelling.

**Material:** Anodized steel

Code	Dimensions	Code	Dimensions
2020	1350x750x850 h mm	2024	860x510x650 h mm
2021	1180x685x850 h mm		
2022	1050x650x850 h mm		
2023	1070x550x775 h mm		



F

## Laundry trolley

Perforated trolley with reinforced ribs every 120 mm, Ø 12 mm holes. 4 rubber castors, diam. 100 mm, 2 fixed and 2 swivelling.

**Material:** Anodized steel

Code	Dimensions	Code	Dimensions
2010	1350x750x850 h mm	2014	860x510x650 h mm
2011	1180x685x850 h mm		
2012	1050x650x850 h mm		
2013	1070x550x775 h mm		



203

## Laundry trolley

Non-perforated trolley with mobile bottom that raises or lowers gradually and automatically according to the load, actuated by a galvanized harmonic steel spring. 4 rubber castors, diam. 125 mm, 2 fixed and 2 swivelling.

**Material:** Anodized steel

Code	Dimensions	Code	Dimensions
2030	1520x950x860 h mm	2036	970x650x800 h mm
2031	1450x750x800 h mm	2037	1090x450x800 h mm
2033	1300x700x800 h mm		
2035	1050x650x800 h mm		



CFS 1000

CODE: 8010

## Wire trolley

4 uprights 1600 h mm, 6 height-adjustable shelves 1500x450 mm, 15 dividers 450x200 h mm, 4 castors diam. 125 mm (2 with brake).

**Material:** Chromed Steel

**Dimensions:** 1500x450x1750 h mm

**Load capacity:** 300 KG



CFS 2000

CODE: 8011

## Wire trolley

4 uprights 1600 h mm, 2 height-adjustable shelves 1200x450 mm, clothes hanger, 4 castors diam. 125 mm (2 with brake). Load capacity: 200 kg.

**Material:** Chromed Steel

**Dimensions:** 1200x450x1750 h mm

**Load capacity:** 200 KG



CFS 3000

CODE: 8012

## Wire trolley

4 uprights 1600 h mm, 4 height-adjustable shelves 900x450 mm, 4 castors diam. 125 mm (2 with brake).

**Material:** Chromed Steel

**Dimensions:** 900x450x1750 h mm

**Load capacity:** 200 KG



CFS 4000

CODE: 8013

## Wire trolley

4 uprights 800 h mm, 2 height-adjustable shelves 900x450 mm, 2 push handles, 4 castors diam. 125 mm (2 with brake).

**Material:** Chromed Steel

**Dimensions:** 900x450x950 h mm

**Load capacity:** 200 KG



FURNITURE

# OT & Sterilization



CFS/SERV

CODE: 3200

## Mayo table

Removable stainless steel tray, dim. 660x460 mm. Chromed steel load-bearing column provided with pedal-operated hydraulic pump. 4 swivelling antistatic castors, diam. 80 mm, 2 with brake.

**Material:** Stainless steel

**Dimensions:** 660x460x870/1200 h mm

**Load capacity:** 35 KG



CFS/SERV 2

CODE: 3201

## Mayo table

Removable & swivel (180°) stainless steel tray, dim. 660x540 mm. Stainless steel load-bearing column provided with pedal-operated hydraulic pump. 4 swivelling antistatic castors, diam. 80 mm, 2 with brake.

**Material:** Stainless steel

**Dimensions:** 660x540x880/1220 h mm

**Load capacity:** 15 KG



CFS/SERV 14

CODE: 3214

## Mayo table

Removable & swivel (360°) stainless steel tray, dim. 660x460x30 h mm. Chromed steel load-bearing column provided with pedal-operated hydraulic pump. 3 swivelling antistatic castors, diam. 80 mm, 2 with brake.

**Material:** Stainless steel

**Dimensions:** 600x400x900/1230 h mm

**Load capacity:** 35 KG



CFS/SERV 15

CODE: 3215

## Mayo table

Removable & swivel (360°) stainless steel tray, dim. 800x500x30 h mm. Chromed steel load-bearing column provided with pedal-operated hydraulic pump. 3 swivelling antistatic castors, diam. 80 mm, 2 with brake.

**Material:** Stainless steel

**Dimensions:** 800x500x900/1230 h mm

**Load capacity:** 35 KG



CFS/SERV 3

CODE: 3202

## Mayo table

Removable stainless steel tray, dim. 900x600 mm. Stainless steel load-bearing column provided with pedal-operated hydraulic pump. 4 swivelling antistatic castors, diam. 80 mm, 2 with brake.

**Material:** Stainless steel

**Dimensions:** 900x600x850/1200 h mm

**Load capacity:** 35 KG



CFS/SERV 5

CODE: 3204

## Mayo table

Swivel (180°) stainless steel tray, dim. 650x450 mm. Stainless steel load-bearing column provided with pedal-operated hydraulic pump. 3 swivelling castors, diam. 80 mm, 2 with brake, 1 antistatic.

**Material:** Stainless steel

**Dimensions:** 650x450x900/1300 h mm

**Load capacity:** 30 KG



HT191

CODE: HT191

## Bowl stand

One removable stainless steel AISI 304 bowl, diam. 320 mm. 5-leg base on twin castors, diam. 50 mm, 2 antistatic and lockable.

**Material:** Stainless steel

**Dimension (WxD):** 635x635 mm

**Load capacity:** 6 LT

**Dimension (H):** 825 h mm



HT201

CODE: HT201

## Bowl stand

Two removable stainless steel AISI 304 bowls, diam. 320 mm. 5-leg base on twin castors, diam. 50 mm, 2 antistatic and lockable.

**Material:** Stainless steel

**Dimension (WxD):** 635x635 mm

**Load capacity:** 12 LT

**Dimension (H):** 825 h mm



T11

## Instrument table

AISI 304 stainless steel with rounded edges, scotch brite finishing. 4 swivelling antistatic castors, diam. 80 mm, 2 with brake.

**Material:** Stainless steel

Code	Dimensions
T-109	1200x640x900 h mm
T-110	1400x640x900 h mm
T-111	1600x640x900 h mm



T12

## Instrument table

AISI 304 stainless steel with rounded edges, scotch brite finishing. Worktop & one lower shelf (height from floor: 400 mm). 4 swivelling antistatic castors, diam. 80 mm, 2 with brake.

**Material:** Stainless steel

Code	Dimensions
T-112	1200x640x900 h mm
T-113	1400x640x900 h mm
T-114	1600x640x900 h mm



T13

CODE: T13

## Work table

AISI 304 stainless steel with rounded edges. Worktop (40 h mm, thickness 10/10) & one lower shelf. On height-adjustable feet.

**Material:** Stainless steel

**Dimension (WxD):** upon request

**Dimension (H):** 850 h mm



T14

CODE: T14

## Work table

AISI 304 stainless steel with rounded edges. Worktop (40 h mm, thickness 10/10) with backsplash (100 h mm) & one lower shelf. On height-adjustable feet.

**Material:** Stainless steel

**Dimension (WxD):** upon request

**Dimension (H):** 850 h mm



APBP

CODE: APBP

## Storage cabinet

AISI 304 stainless steel with scotch brite finishing, thickness 8/10. 2 doors with anti-dust gasket, height-adjustable inner shelves upon request. Base on 4 height-adjustable feet.

**Material:** Stainless steel

**Dimension (WxD):** upon request

**Dimension (H):** upon request



APBVP

CODE: APBVP

## Storage cabinet

AISI 304 stainless steel with scotch brite finishing, thickness 8/10. 2 glass doors with anti-dust gasket, height-adjustable inner shelves upon request. Base on 4 height-adjustable feet.

**Material:** Stainless steel

**Dimension (WxD):** upon request

**Dimension (H):** upon request





LV1

## Scrub sink

AISI 304 stainless steel with anti-reflection satin coating, thickness 10/10. Large basin with backsplash. Coated with soundproof and anti-condensation material.

**Material:** Stainless steel

Code	Dimensions
LV1-070	700x550x1050h mm
LV1-080	800x550x1050h mm
LV1-090	900x550x1050h mm



LV2

## Scrub sink

AISI 304 stainless steel with anti-reflection satin coating, thickness 10/10. Large basin with backsplash. Coated with soundproof and anti-condensation material.

**Material:** Stainless steel

Code	Dimensions
LV2-140	1400x550x1050h mm
LV2-160	1600x550x1050h mm
LV2-190	1900x550x1050h mm



LV3

## Scrub sink

AISI 304 stainless steel with anti-reflection satin coating, thickness 10/10. Large basin with backsplash. Coated with soundproof and anti-condensation material.

**Material:** Stainless steel

Code	Dimensions
LV3-220	2200x550x1050h mm
LV3-240	2400x550x1050h mm
LV3-260	2600x550x1050h mm

# Accessories



**Recessed sensor-operated tap, electric**

15020-1



**Recessed sensor-operated tap, battery**

15020-2



**Clinic lever tap**

15021



**Soap dispenser with S/S lever**

15023



**S/S automatic soap dispenser, electric**

15020-6



**C/S automatic soap dispenser, battery**

15026





IN-01201

CODE: IN-01201

## Trolley for sterilization baskets

2 hinged doors with anti-dust lining, opening up to 270°, secured by key lock. 2 height-adjustable inner shelves. 4 swivelling castors, diam. 125 mm, 2 with brake.

**Material:** Stainless steel**Dimension (WxD):** 1100x700 mm**Load capacity:** 9 sterilization containers **Dimension (H):** 1300 h mm

IN-01201/SP6

CODE: IN-01201/SP6

## Trolley for sterilization containers

2 hinged doors with anti-dust lining, opening up to 270°, secured by key lock. 6 inner pull-out shelves with limit switch. 4 swivelling castors, diam. 160 mm, 2 with brake.

**Material:** Stainless steel**Dimension (WxD):** 750x700 mm**Load capacity:** 6 sterilization containers **Dimension (H):** 1300 h mm

4076

CODE: 4076

## Wrapping paper trolley

Suitable for the transport and storage of paper to be used in packing baskets containing sterilization instruments. 4 swivelling castors, diam. 80 mm.

**Material:** Stainless steel**Dimension (WxD):** 1360x720 mm**Dimension (H):** 1030 h mm

CFS/PZ

CODE: 1190

## Shoe rack trolley

Equipped with 64 stainless steel hooks for the positioning of 4 pair of shoes on each row. 4 swivelling castors, diam. 125 mm, 2 with brake.

**Material:** Stainless steel**Dimensions:** 920x570x1600 h mm



FURNITURE

# Patient Transfer

## Components and Accessories



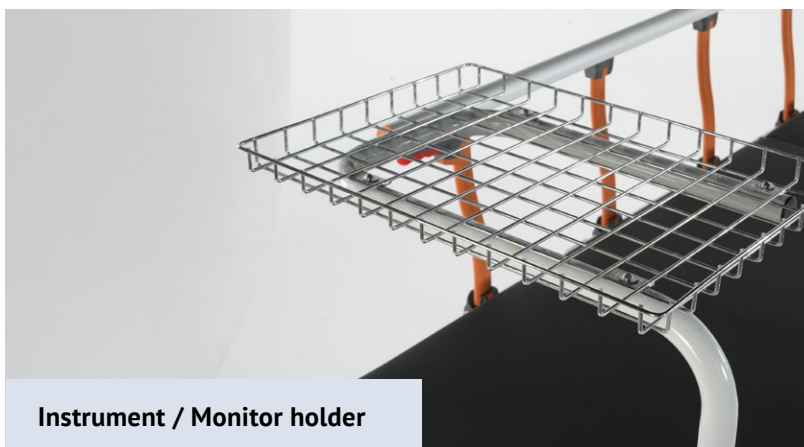
IV pole



Oxygen cylinder holder



Storage basket



Instrument / Monitor holder



Mattress and side rails



LO503

## Patient transport stretcher

Transfer stretcher with 2-sections mattress surface (1960x660 mm) with push bar at both sides. Gas assisted backrest adjustment (75°) controlled by hand lever and hydraulic height adjustment controlled by foot lever at foot end. ABS base on 4 castors diam. 200 mm lockable simultaneously, 1 lockable in directional position.

**Material:** Epoxy painted steel

**Dimension (WxD):** 2020x780 mm

**Safe working load:** 170 kg

**Dimension (H):** 490/900 mm

Code	Description
LO503-211	Wire chromed steel mattress platform and backrest
LO503-212	Radiolucent backrest and wire chromed steel mattress platform
LO503-221	Wire chromed steel mattress platform and backrest - Trendelenburg / reverse Trendelenburg
LO503-222	Radiolucent backrest and wire chromed steel mattress platform - Trendelenburg / reverse Trendelenburg

## Accessories

Code	Description
LO503-001	Adjustable IV pole, 2 hooks
LO503-201	Collapsible side rails
LO503-202	Storage basket
LO503-203	Fire-retardant mattress (60 mm)
LO503-206	Oxygen cylinder holder
LO503-207	Instrument / monitor holder



LO503-235

## Specialist stretcher

Specialist stretcher with 3-sections mattress surface (1950x650 mm) with 2 foldable push handles at foot side. Gas assisted backrest adjustment (80°) controlled by hand lever and rack legrest adjustment. Height and Trendelenburg adjustments by 2 hydraulic columns controlled by pedals at both sides.

Technopolymer base cover designed with oxygen cylinder and storage compartment. Base on 4 antistatic swivel castors, Ø 200 mm, with simultaneous central lock and 5th directional castor.

Polyurethane mattress with fire retardant and waterproof cover (60 mm), radiolucent, antistatic and antibacterial.

Collapsible aluminium side rails with blocking device

The stretcher is standardly provided with adjustable IV pole with 4 hooks

**Material:** Epoxy painted steel

**Dimension (WxD):** 2060x870 mm

**Safe working load:** 320 kg

**Dimension (H):** 550/850 mm

## Accessories

Code	Description
LO503-2351	Hooks for drainage bags
LO503-2353	Tiltable monitor holder
LO503-2354	Backrest x-ray cassette holder
LO503-2355	Paper roll holder
LO503-2356	Full length x-ray cassette holder
LO503-2358	Arm support



CFS1030

CODE: CFS1030

## Foldable wheelchair

Wheelchair with reinforced seat (460 mm) and backrest made of fire retardant nylon and foldable polyurethane armrests. Adjustable and foldable footrests. Rear plastic wheel with rubber cover, diam. 600 mm, front swivel castors diam. 175 mm

**Material:** Epoxy painted steel

**Dimension (WxD):** 620x1070 mm

**Load capacity:** 150 kg

**Dimension (H):** 880 h mm



CFS1030M

CODE: CFS1030M

## Bariatric foldable wheelchair

Wheelchair with reinforced seat (600 mm) and backrest made of fire retardant nylon. Detachable polyurethane armrests and adjustable and foldable footrests. Rear metal wheel with rubber cover diam. 600 mm, front swivel castors diam. 200 mm

**Material:** Epoxy painted steel

**Dimension (WxD):** 760x1070 mm

**Load capacity:** 250 kg

**Dimension (H):** 880 h mm



CFS1030KID

CODE: CFS1030KID

## Pediatric foldable wheelchair

Wheelchair with reinforced seat (340 mm) and backrest made of fire retardant nylon and foldable polyurethane armrests. Adjustable and foldable footrests. Rear plastic wheel with rubber cover, diam. 600 mm, front swivel castors diam. 150 mm

**Material:** Epoxy painted steel

**Dimension (WxD):** 520x1000 mm

**Load capacity:** 125 kg

**Dimension (H):** 880 h mm



CFS1050

CODE: CFS1050

## Foldable reclining wheelchair

Wheelchair with reinforced seat (460 mm) and reclining backrest made of fire retardant nylon and foldable polyurethane armrests. Adjustable and foldable footrests. Rear plastic wheel with rubber cover, diam. 600 mm, front swivel castors diam. 175 mm

**Material:** Epoxy painted steel

**Dimension (WxD):** 620x1070 mm

**Load capacity:** 150 kg

**Dimension (H):** 880 h mm



CFS550

CODE: CFS550

## Commode wheelchair

Commode chair with padded seat (460 mm) and backrest, provided with toilet device. Detachable polyurethane armrests and adjustable and foldable footrests. 4 swivel castors diam. 100 mm, 2 lockable.

**Material:** Epoxy painted steel

**Dimension (WxD):** 550x900 mm

**Load capacity:** 150 kg

**Dimension (H):** 910 h mm

## Accessories

Code	Description
15035	Height adjustable armrests
15036	Tilttable table
15038	IV pole, 2 hooks
150382	Anti tip castors
15048	Adjustable leg support
15071	Oxygen cylinder holder
15090	Pelvic belt



CFS950WC

CODE: CFS950WC

## Commode wheelchair

Commode chair with padded seat (460 mm) and backrest, provided with toilet device. Detachable polyurethane armrests and adjustable and foldable footrests. Rear plastic wheel with rubber cover, diam. 600 mm, front swivel castors diam. 175 mm

**Material:** Epoxy painted steel

**Dimension (WxD):** 650x1090 mm

**Load capacity:** 150 kg

**Dimension (H):** 910 h mm



FURNITURE

# Patient Care



MEDCAB

CODE: 10010

## Medicine cabinet

Cabinet for pharmacy storage with 2 wood doors, opening 270° with aluminium handles and key lock. 60 inner compartments with plastic protective ledge. Steel basement on 4 feet, 150 h mm

**Material:** Wood

**Dimensions:** 1000x600x2020 h mm



MEDCAB ISO

CODE: 10018

## Medicine cabinet

Cabinet for pharmacy storage with 2 glass doors, opening 270° with aluminium handles and key lock. 26 inner ISO baskets (600x400 mm). Steel basement on 4 feet, 150 h mm

**Material:** Wood

**Dimensions:** 920x660x2110 h mm



V/140

CODE: V/140

## Medicine cabinet

Storage cabinet with 2 glass doors, with key lock. 4 inner shelves (795x360 mm). Base on 4 feet, 150 h mm

**Material:** Epoxy-painted steel

**Load capacity:** 15 kg/shelf

**Dimension (WxD):** 800x400 mm

**Dimension (H):** 1800 h mm



V/160

CODE: V/160

## Medicine cabinet

Storage cabinet with 2 upper glass doors and 2 lower steel doors, all with key lock. 3+1 inner shelves (795x360 mm). Base on 4 feet, 150 h mm

**Material:** Epoxy-painted steel

**Load capacity:** 15 kg/shelf

**Dimension (WxD):** 800x400 mm

**Dimension (H):** 1800 h mm



HT270

CODE: HT270

## Footstool

Single step footstool with anti-slip plastic step cover (200x380 mm)

**Material:** Chromed steel

**Dimension (WxD):** 390x280 mm

**Load capacity:** 150 kg

**Dimension (H):** 220 h mm



HT280

CODE: HT280

## Footstool

Double step footstool with anti-slip plastic step cover (200x380 mm)

**Material:** Chromed steel

**Dimension (WxD):** 390x520 mm

**Load capacity:** 150 kg

**Dimension (H):** 440 h mm



HT250

CODE: HT250

## Screen

Privacy screen with metal frame and 3 fire-retardant washable panels, base on 6 castors diam. 50 mm

**Material:** Aluminium/pvc

**Dimension:** 1500x1750 h mm



HT260

CODE: HT260

## Screen

Privacy screen with metal frame and 4 fire-retardant washable panels, base on 6 castors diam. 50 mm

**Material:** Aluminium/pvc

**Dimension:** 2000x1750 h mm

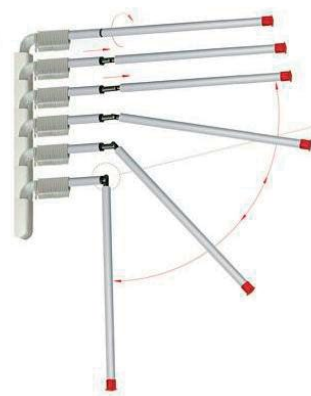


## Telescopic arm

Swivel telescopic arm made of anodized aluminium and nylon elements highly resistant to fire. When the telescopic arm is not used it can be closed and positioned against the wall.

**Material:** Anodised aluminium

Code	Dimensions
2811	850/2100 mm
2812	650/1600 mm
2813	550/1300 mm



## Telescopic arm

Swivel and foldable telescopic arm made of anodized aluminium and nylon elements highly resistant to fire. When the telescopic arm is not used it can be folded and positioned against the wall.

**Material:** Stainless steel

Code	Dimensions
2821	290 - 1000/2100 mm
2822	290 - 800/1600 mm
2823	290 - 700/1300 mm



## Curtain

Curtain made of Biosat flame retardant and antibacterial bioactive polyester fibers, available in various colors

**Material:** Polyester Bioactive

Code	Dimensions	Code	Dimensions
2821/013	1500x1400 h mm	2821/113	1500x1800 h mm
2821/016	1800x1400 h mm	2821/116	1800x1800 h mm
2821/021	2300x1400 h mm	2821/121	2300x1800 h mm



## Wall mount support

Wall support for insertion of telescopic arm. A front cover hides the screws, making the item pleasant and perfectly integrated into any type of furniture.

**Material:** Nylon

Code	Dimensions
2821/S	-



102

CODE: 102

### IV pole

Telescopic IV pole, adjustable by knob, 4 stainless steel hooks, capacity 2 kg each, provided with drip glass. Base on 5 castors diam. 80 mm, 2 antistatic and lockable

**Material:** Stainless steel

**Dimension (WxD):** 635x635 mm

**Load capacity:** 9,5 kg



104-1

CODE: 104-1

### Intensive care IV pole

Telescopic IV pole, adjustable by screw, 4 stainless steel hooks, capacity 5 kg each. Base on 5 twin castors diam. 75 mm, all antistatic and lockable.

**Material:** Stainless steel

**Dimension (WxD):** 680x680 mm

**Load capacity:** 20 kg

**Dimension (H):** 1430/2260 mm



134

CODE: 134

### Urology IV pole

Telescopic IV pole, adjustable by hydraulic pedal operated pump, 2 stainless steel hooks capacity 20 kg each. Base on 4 castors, diam. 80 mm, 3 lockable

**Material:** Stainless steel

**Dimension (WxD):** 700x700 mm

**Load capacity:** 80 kg

**Dimension (H):** 1400/2500 mm

## Accessories

Code	Description
205	Pump holder for 2 devices
206	Pump holder for 4 devices
207	Height-adjustable push handle
208	Height-adjustable push handle
210	Wire basket with clamp





2418

## Relax couch

Relax couch with padded seat, backrest and armrests upholstered with fire retardant leatherette. Backrest adjustable by gas spring; legrest independently or simultaneously adjustable by gas spring, according to model. Base on feet or castors diam. 125 mm, according to model.

**Material:** Epoxy-painted steel

**Load capacity:** 180 kg

Code	Description
2418-1	no legrest - on feet
2418-2	no legrest - on castors
2418-3	legrest - synchronized adj. - on feet
2418-4	legrest - synchronized adj. - on castors
2418-5	legrest - independent adj. - on feet
2418-6	legrest - independent adj. - on castors

## Accessories

Code	Description
2414-7	Pull-out footboard
2414-15	Document storage pocket
2414-16	IV pole (2 hooks)
2414-17	Holder for oxygen cylinder
2414-18	Holder for drainage bag
2414-22	Removable head cushion



2422

## Therapy couch

Therapy couch with padded seat and backrest upholstered with fire retardant leatherette. Padded foldable armrests synchronized with the backrest movement. Backrest and legrest adjustable by gas spring, independently or simultaneously according to model. Base on 2 unidirectional front castors, diam. 300 mm, and 2 rear swivel lockable castors diam. 125 mm

**Material:** Epoxy-painted steel

**Load capacity:** 180 kg

Code	Description
2422-1	synchronized adjustments
2422-2	independent adjustments
2422-3	synchronized adjustments - Trendelenburg
2422-4	independent adjustments - Trendelenburg



HT632

CODE: HT632

## Multipurpose couch

Multipurpose couch with leatherette upholstered backrest and legrest (100 mm thick). Electric adjustments of backrest, legrest and Trendelenburg. Ergonomic and adjustable padded armrests suitable for phlebotomy. Base on 4 twin castors diam. 100 mm

**Material:** Epoxy-painted steel

**Dimension (WxD):** 1800x700 mm

**Load capacity:** 180 kg

**Dimension (H):** 530/850 mm



HT635

CODE: HT635

## Gynaecology couch

Gynaecology couch with leatherette upholstered backrest and legrest (100 mm thick). Electric adjustments of backrest, legrest and Trendelenburg. Ergonomic and adjustable padded armrests suitable for phlebotomy. Equipped with knee crutches and s/s basin. Base on 4 twin castors diam. 100 mm

**Material:** Epoxy-painted steel

**Dimension (WxD):** 1800x900 mm

**Load capacity:** 180 kg

**Dimension (H):** 530/850 mm

## Accessories

Code	Description
2414-17	Holder for oxygen cylinder
2414-18	Holder for drainage bag
2414-22	Removable head cushion
HT82	Paper roll holder
73075	UK plug



HT70

CODE: HT70

### Examination table

2 sections examination table, fixed height, with manually adjustable backrest. Equipped with paper roll holder

**Material:** Epoxy-painted steel

**Dimension (WxD):** 1800x600 mm

**Load capacity:** 150 kg

**Dimension (H):** 700 mm



HT62

CODE: HT62

### Examination table

2 sections examination table, height adjustable by foot controlled hydraulic pump. Backrest adjustment by hand controlled gas spring.

**Material:** Epoxy-painted steel

**Dimension (WxD):** 1870x645 mm

**Load capacity:** 170 kg

**Dimension (H):** 500/900 mm



HT92

CODE: HT92

### Gynaecology examination table

3 sections gynaecology examination table, adjustable in height by electric motor. Gas spring backrest and mid section adjustment, fixed seat. Equipped with knee crutches and s/s tray. Base on 2 fixed castors diam. 100 and 2 feet

**Material:** Epoxy-painted steel

**Dimension (WxD):** 1950x650 mm

**Load capacity:** 200 kg

**Dimension (H):** 520/950 mm

**Accessories**

Code	Description
HT82	Paper roll holder for HT72 & HT92
HT95	Paper roll holder for HT62



HT72

CODE: HT72

### Examination couch

2 sections examination table, adjustable in height by electric motor. Gas spring backrest adjustment. Base on 2 fixed castors diam. 100 and 2 feet

**Material:** Epoxy-painted steel

**Dimension (WxD):** 1950x650 mm

**Load capacity:** 200 kg

**Dimension (H):** 520/950 mm



HT922

CODE: HT922

## Examination table

2 sections examination table, adjustable in height by electric motor. Gas spring backrest adjustment. Base on 4 feet

**Material:** Epoxy-painted steel

Code	Dimensions	Load capacity
HT922A	1900x650x490/810 h mm	200 kg
HT922B	1900x800x490/810 h mm	200 kg

## Accessories

Code	Description
15115	Folding side rails
15117	Paper roll holder
15160	Set of 4 castors
15214	UK plug



HT923A

CODE: HT923A

## Examination table

3 sections examination table, adjustable in height by electric motor. Gas spring backrest and legrest adjustment by hand lever. Base on 4 feet

**Material:** Epoxy-painted steel

**Dimension (WxD):** 1900x650 mm

**Load capacity:** 200 kg

**Dimension (H):** 490/810 mm



14161

## Laboratory stool

Ergonomic stool with round padded seat (60 mm thick) upholstered with fire-retardant antimicrobial leatherette, adjustable by gas spring. Polished aluminium base on 5 swivel castors diam. 50 mm

**Material:** Polished aluminium base

Code	Dimensions	Load capacity
14161-1	600x600x420/550 h mm	130 kg
14161-2	600x600x600/850 h mm	130 kg



14157

## Laboratory stool

Ergonomic stool with padded seat (40 mm thick) and backrest upholstered with fire-retardant antimicrobial leatherette, adjustable by gas spring. Polished aluminium base on 5 swivel castors diam. 50 mm

**Material:** Polished aluminium base

Code	Dimensions	Load capacity
14157	600x600x420/550 h mm	130 kg
14157-1	600x600x600/850 h mm	130 kg

## Accessories

Code	Description
14170	Fixed armrests
141701	Height-adjustable armrests
14171	Height-adjustable footring



14114

CODE: 14114

## Multipurpose stool

Ergonomic stool with padded seat (40 mm thick) and backrest upholstered with fire-retardant antimicrobial leatherette, adjustable by gas spring. Nylon base on 5 swivel castors diam. 50 mm

**Material:** Nylon base

**Load capacity:** 130 kg

**Dimension (WxD):** 600x600 mm

**Dimension (H):** 500/700 mm



14154

CODE: 14154

## Surgeon stool

Ergonomic stainless steel stool with round padded seat (80 mm thick) upholstered with antistatic leatherette, adjustable by foot-operated hydraulic pump. Polished aluminium base on 5 antistatic castors diam. 50 mm

**Material:** Stainless steel

**Dimension (WxD):** 600x600 mm

**Load capacity:** 100 kg

**Dimension (H):** 600/800 mm



14155

CODE: 14155

## Anesthetist stool

Ergonomic stainless steel stool with round padded seat (80 mm thick) upholstered with antistatic leatherette, adjustable by gas spring. Polished aluminium base on 5 antistatic castors diam. 50 mm

**Material:** Stainless steel

**Dimension (WxD):** 600x600 mm

**Load capacity:** 100 kg

**Dimension (H):** 600/800 mm



14153

CODE: 14153

## Saddle stool

Ergonomic stainless steel stool with saddle padded seat (100 mm thick) upholstered with antistatic leatherette, adjustable by foot operated hydraulic pump. Polished aluminium base on 5 antistatic castors diam. 50 mm

**Material:** Stainless steel

**Dimension (WxD):** 600x600 mm

**Load capacity:** 100 kg

**Dimension (H):** 550/800 mm

## Accessories

Code	Description
141540	Pedal-operated brake
141541	Pair of adjustable armrests
141542	Padded backrest
141543	Height-adjustable footring



CFS



# CFS ITALIA SRL

Via Aquileia 8  
31048 - S. Biagio di Callalta (TV)  
ITALY

P.IVA 05096510267

+39 0422 39 85 53 | +39 0422 39 73 33

commerciale@cfsitalia.com

www.cfsitalia.com

Catalogue



Website



Follow us

