



A VOTRE SERVICE DEPUIS 1995

## SIMPLICITY REDEFINED MICARE JD1800 PLUS Surgical Light

Hospitals face many challenges, including the strain of operating with reduced staff due to high turnover rates, an influx of patients, increasingly complex medical procedures, and the relentless economic pressures that threaten the quality of health care services. Micare offers user-friendly simplicity and robust reliability for a wide range of surgical applications and clinical settings such as ambulatory surgery centers. It is designed to align with evolving standards for risk management.

MAKING  
EVERYDAY  
TASKS  
EASIER  
FOR  
SPECIALISTS

Rte de Taillepied 44 1095 Lutry  
Tél : (021) 903 57 67  
[www.healthsport.ch](http://www.healthsport.ch)  
[direction@healthsport.ch](mailto:direction@healthsport.ch)

# MICARE JD1800 PLUS

providing ideal illumination for all medical specialities

suitable for a wide range of medical applications:



## Ambulatory Surgery Centers:

suitable for routine check-ups and minor procedures across multiple specialties.



## Dermatology:

facilitates the examination of skin conditions, lesions, moles, rashes, and other dermatological issues with precise and shadow-free lighting. It can also aid in performing minor dermatological procedures such as biopsies or cryotherapy.



## Gynecology:

Enhances visibility during pelvic examinations, Pap smears, and other gynecological assessments.



## ENT:

provides targeted lighting for examination of the ear canal, nasal passages, or the throat.



## Emergency:

Provides bright and focused light in emergency rooms for assessing and treating trauma patients.



## Veterinary Medicine:

Reexamining and treating animals, ensuring accurate diagnosis and treatment.

## EXPERTISE BROUGHT TO THE JD1800 PLUS LIGHT

### + Stable illumination

- + Its 18 LEDs achieve far higher shadow dilution than other lights in its category.
- + White “Hexagram-LEDs” eliminate cast and colored shadows that can interfere with diagnosis and treatment.
- + High Intensity Cold Light Even More Power 160,000Lux at 1M

### + Accurate lighting solutions

- + For better tissue differentiation, it helps medical staff recognize subtle color tones in superficial and deep tissue. This is possible thanks to
- + A fixed color rendering index fixed at 98, R9: 98, R13: 100
- + A fixed color temperature of 3,000-5,500 K, Optional 100% White Leds
- + Focusable beam by twisting the handle with a large diameter widely from 16 - 30CM at working distance 70-140CM

### + No heat dissipation And Sterilization

- + An ideal working environment for a physician during a procedure includes clear, glare-free light with almost no infrared or UV radiation.
- + The standard handle is very easy to clean and accepts most disposable covers. A re-sterilisable handle is an optional item.

### + Compatible with laminar airflow systems

- + Compatible For DIN standard 1946-4 When using laminar airflow systems such as the CLEANSUITE® ceiling system, air is able to travel around the lighthouse to reach the patient with no obstruction from lighthouse placement.



## State-of-the-art LEDs with microstructured lenses

- Uniform illumination of the surgical field
- Illumination of deep cavities
- Shadowless effect
- Highest brightness and color rendering



## Through the latest lens technology

The Micare JD1800 PLUS Series guarantees maximum light output thanks to the latest LED technology. Its optimal color rendering, impressively long lifespan, and innovative light focusing through special lenses make it one of the best in its class. In order to create and maintain a consistent ideal light situation and mood.



Endo Mode



Lower Light Mode



Standard Mode

# HIGH DEFINITION CAMERA MODULE

FLEXIBLE USE

Sony HD 10X Surgical Camera has High-Definition Wireless Transfer. This HD camera can be mounted as an optional component in MICARE JD1800 PLUS Series lighting systems. This integrated video camera maintains the optical and mechanical performance of the lighting system while providing an unobstructed view of the surgical site. Its high-quality video images enable you to document surgical procedures for a variety of applications, including teaching and archival purposes.



# Technical Specifications

## STANDARD



### JD1800J PLUS DOUBLE CEILING

Voltage Supply	95 - 245V, 50/60HZ
Rated Power	60W
Light Intensity At EC (1M)	160,000Lux Maximum
Light Intensity Control	0 - 100% Stepless Adjustable
Endo / Procedure Lighting Mode	6Pcs Yellow Bulbs
LED Bulbs Quantity	18PCS (12Pcs White + 6Pcs Yellow)
Spot Size Diameter	Ø 160-300MM = 6.3" - 11.81" (Manual Control)
Color temperature	3,000 - 5,500K Stepless Adjustable
Control Method	LCD Touch Knob
Lamp Head Diameter	430MM = 16.93"
Led Bulbs Life Span	80,000Hrs
Color Rendering Index (RA)	98
CRI (R9 / R11 / R13)	98 / 94 / 100
Hexagram-LEDs Size	65MM = 2.59"
Illumination Depth L1+L2 at 20%	1300MM
Illumination Depth L1+L2 at 60%	700MM
Main Material & protection Class	Aluminum, IP54
Total Irradiance	125W/ m <sup>2</sup>
Sprint Arm Movement	Up: 45°, Down: 50°, 1100MM
Sony 10X HD Camera Wireless	Optional
Medical Monitor With Recording And Storage System Optional	22" HD Monitor / 27" 4K Monitor



### JD1800G PLUS WALL MOUNTED

Voltage Supply	95 - 245V, 50/60HZ
Rated Power	30W
Light Intensity At EC (1M)	160,000Lux Maximum
Light Intensity Control	0 - 100% Stepless Adjustable
Endo / Procedure Lighting Mode	6Pcs Yellow Bulbs
LED Bulbs Quantity	18PCS (12Pcs White + 6Pcs Yellow)
Spot Size Diameter	Ø 160-300MM = 6.3" - 11.81" (Manual Control)
Color temperature	3,000 - 5,500K Stepless Adjustable
Control Method	LCD Touch Knob
Lamp Head Diameter	430MM = 16.93"
Led Bulbs Life Span	80,000Hrs
Color Rendering Index (RA)	98
CRI (R9 / R11 / R13)	98 / 94 / 100
Hexagram-LEDs Size	65MM = 2.59"
Illumination Depth L1+L2 at 20%	1300MM
Illumination Depth L1+L2 at 60%	700MM
Main Material & protection Class	Aluminum, IP54
Total Irradiance	125W/ m <sup>2</sup>
Sprint Arm Movement	Up: 45°, Down: 50°, 1100MM



### JD1800L PLUS PORTABLE MOBILE

Voltage Supply	95 - 245V, 50/60HZ
Rated Power	30W
Light Intensity At EC (1M)	160,000Lux Maximum
Light Intensity Control	0 - 100% Stepless Adjustable
Endo / Procedure Lighting Mode	6Pcs Yellow Bulbs
LED Bulbs Quantity	18PCS (12Pcs White + 6Pcs Yellow)
Spot Size Diameter	Ø 160-300MM = 6.3" - 11.81" (Manual Control)
Color temperature	3,000 - 5,500K Stepless Adjustable
Control Method	LCD Touch Knob
Lamp Head Diameter	430MM = 16.93"
Led Bulbs Life Span	80,000Hrs
Color Rendering Index (RA)	98
CRI (R9 / R11 / R13)	98 / 94 / 100
Hexagram-LEDs Size	65MM = 2.59"
Illumination Depth L1+L2 at 20%	1300MM
Illumination Depth L1+L2 at 60%	700MM
Main Material & protection Class	Aluminum, IP54
Total Irradiance	125W/ m <sup>2</sup>
Sprint Arm Movement	Up: 45°, Down: 50°, 1100MM
Sony 10X HD Camera Wireless	Optional
Emergency Battery Back Up With Power Display	Optional (4HRS)

### JD1800 PLUS SINGLE CEILING

Voltage Supply	95 - 245V, 50/60HZ
Rated Power	30W
Light Intensity At EC (1M)	160,000Lux Maximum
Light Intensity Control	0 - 100% Stepless Adjustable
Endo / Procedure Lighting Mode	6Pcs Yellow Bulbs
LED Bulbs Quantity	18PCS (12Pcs White + 6Pcs Yellow)
Spot Size Diameter	Ø 160-300MM = 6.3" - 11.81" (Manual Control)
Color temperature	3,000 - 5,500K Stepless Adjustable
Control Method	LCD Touch Knob
Lamp Head Diameter	430MM = 16.93"
Led Bulbs Life Span	80,000Hrs
Color Rendering Index (RA)	98
CRI (R9 / R11 / R13)	98 / 94 / 100
Hexagram-LEDs Size	65MM = 2.59"
Illumination Depth L1+L2 at 20%	1300MM
Illumination Depth L1+L2 at 60%	700MM
Main Material & protection Class	Aluminum, IP54
Total Irradiance	125W/ m <sup>2</sup>
Sprint Arm Movement	Up: 45°, Down: 50°, 1100MM
Sony 10X HD Camera Wireless	Optional
Medical Monitor With Recording And Storage System Optional	22" HD Monitor / 27" 4K Monitor



## Technical Specifications

**100% WHITE LEDS**



### JD1800J PLUS DOUBLE CEILING

Voltage Supply	95 - 245V, 50/60HZ
Rated Power	60W
Light Intensity At EC (1M)	160,000Lux Maximum
Light Intensity Control	0 - 100% Stepless Adjustable
Endo / Procedure Lighting Mode	6pcs White Leds
LED Bulbs Quantity	18PCS (100% White Leds)
Spot Size Diameter	Ø 160-300MM = 6.3" - 11.81" (Manual Control)
Color temperature	4,000 - 5,500K Stepless Adjustable
Control Method	LCD Touch Knob
Lamp Head Diameter	430MM = 16.93"
Led Bulbs Life Span	80,000Hrs
Color Rendering Index (RA)	98
CRI (R9 / R11 / R13)	98 / 94 / 100
Hexagram-LEDs Size	65MM = 2.59"
Illumination Depth L1+L2 at 20%	1300MM
Illumination Depth L1+L2 at 60%	700MM
Main Material & protection Class	Aluminum, IP54
Total Irradiance	125W/ m <sup>2</sup>
Sprint Arm Movement	Up: 45°, Down: 50°, 1100MM
Sony 10X HD Camera Wireless	Optional
Medical Monitor With Recording And Storage System Optional	22" HD Monitor / 27" 4K Monitor



### JD1800L PLUS PORTABLE MOBILE

Voltage Supply	95 - 245V, 50/60HZ
Rated Power	30W
Light Intensity At EC (1M)	160,000Lux Maximum
Light Intensity Control	0 - 100% Stepless Adjustable
Endo / Procedure Lighting Mode	6pcs White Leds
LED Bulbs Quantity	18PCS (100% White Leds)
Spot Size Diameter	Ø 160-300MM = 6.3" - 11.81" (Manual Control)
Color temperature	4,000 - 5,500K Stepless Adjustable
Control Method	LCD Touch Knob
Lamp Head Diameter	430MM = 16.93"
Led Bulbs Life Span	80,000Hrs
Color Rendering Index (RA)	98
CRI (R9 / R11 / R13)	98 / 94 / 100
Hexagram-LEDs Size	65MM = 2.59"
Illumination Depth L1+L2 at 20%	1300MM
Illumination Depth L1+L2 at 60%	700MM
Main Material & protection Class	Aluminum, IP54
Total Irradiance	125W/ m <sup>2</sup>
Sprint Arm Movement	Up: 45°, Down: 50°, 1100MM
Sony 10X HD Camera Wireless	Optional
Emergency Battery Back Up With Power Display	Optional (4HRS)

### JD1800G PLUS WALL MOUNTED

Voltage Supply	95 - 245V, 50/60HZ
Rated Power	30W
Light Intensity At EC (1M)	160,000Lux Maximum
Light Intensity Control	0 - 100% Stepless Adjustable
Endo / Procedure Lighting Mode	6pcs White Leds
LED Bulbs Quantity	18PCS (100% White Leds)
Spot Size Diameter	Ø 160-300MM = 6.3" - 11.81" (Manual Control)
Color temperature	4,000 - 5,500K Stepless Adjustable
Control Method	LCD Touch Knob
Lamp Head Diameter	430MM = 16.93"
Led Bulbs Life Span	80,000Hrs
Color Rendering Index (RA)	98
CRI (R9 / R11 / R13)	98 / 94 / 100
Hexagram-LEDs Size	65MM = 2.59"
Illumination Depth L1+L2 at 20%	1300MM
Illumination Depth L1+L2 at 60%	700MM
Main Material & protection Class	Aluminum, IP54
Total Irradiance	125W/ m <sup>2</sup>
Sprint Arm Movement	Up: 45°, Down: 50°, 1100MM



### JD1800 PLUS SINGLE CEILING

Voltage Supply	95 - 245V, 50/60HZ
Rated Power	30W
Light Intensity At EC (1M)	160,000Lux Maximum
Light Intensity Control	0 - 100% Stepless Adjustable
Endo / Procedure Lighting Mode	6pcs White Leds
LED Bulbs Quantity	18PCS (100% White Leds)
Spot Size Diameter	Ø 160-300MM = 6.3" - 11.81" (Manual Control)
Color temperature	4,000 - 5,500K Stepless Adjustable
Control Method	LCD Touch Knob
Lamp Head Diameter	430MM = 16.93"
Led Bulbs Life Span	80,000Hrs
Color Rendering Index (RA)	98
CRI (R9 / R11 / R13)	98 / 94 / 100
Hexagram-LEDs Size	65MM = 2.59"
Illumination Depth L1+L2 at 20%	1300MM
Illumination Depth L1+L2 at 60%	700MM
Main Material & protection Class	Aluminum, IP54
Total Irradiance	125W/ m <sup>2</sup>
Sprint Arm Movement	Up: 45°, Down: 50°, 1100MM
Sony 10X HD Camera Wireless	Optional
Medical Monitor With Recording And Storage System Optional	22" HD Monitor / 27" 4K Monitor

# Equipment & Accessories



## Single Ceiling Solution:

- Ceiling Rod Optional: 400MM / 800MM / 1200MM
- Suspension Arm: 686MM = 27"



## Double Ceiling Solution:

- Ceiling Rod: 420MM = 16.54"
- Suspension Arm: 686MM = 27"



## Portable Mobile Solution:

- Lamp Base Dimension: 590\*540\*130MM = 23.23"\*21.26"\*5.12"
- 4 Castors With Brakes
- Internal Emergency Battery 6-8Hrs Optional



## Triple Ceiling Solution For Camera + Monitor:

- Monitor Arm L\*W\*H = 850MM \*40MM\*60MM
- Camera Lamp Head Arm L\*W\*H = 960MM \*40MM\*60MM
- Lamp Head Arm L\*W\*H = 740MM \*40MM\*60MM
- Rotating Angle For Joint: 360°



## Arm For Camera Solution + Monitor:

- Arm Size (L\*W\*H) = 900MM\*45MM\*70MM \* 2PIECE
- G.W.: 8.1KGS (Compatible For Ondal Model: 1937875)
- Movement Up And Down: 70°, 800MM + 800MM
- Available For Arm Lock and Height Limited



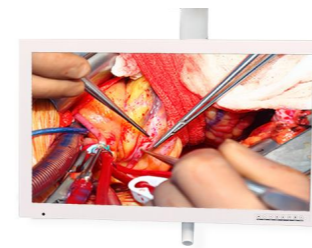
## Touch Control For Lighting Functions:

- On / Off
- Diming
- Color Temperature
- Camera Zoom



## Sony 10X HD Wireless Camera for recording and live playback

- Full HD 1920\*1080P, 2.16 megapixels
- 10X optical zoom
- 12X Digital Zoom
- Wireless Transfer
- Control On Lamp Head



## Recording And Storage Monitor

- Video playback from various OR sources
- 22inches / 27inches Optional
- 1T Capacity For 30days Surgery
- SDI, HDMI, VGA, DVI output
- 1920\*1080P, 16:9 Images



## Sterile Handle

- Manually Control For Spot Size
- Easily Position Lamp Head



## MICARE JD1800 Pro Surgical Light

- Spend less time readjusting: The stable suspension system, featuring friction rings, ensures secure positioning greatly minimizing drift. It has fewer maintenance requirements and minimizes the need for brake readjustments.
- Strong and proven design: The mobile version boasts a time-tested design and incorporates proven technology. Robust 100% steel sheet construction ensures durability and sturdiness
- The aluminum light head frame ensures long-lasting durability and reliability.
- Efficient engineering principles are at the core of this design:
  - Simplicity
  - Easy maintenance
  - Minimal number of components
  - A single PCB houses both LEDs and the main electronic board,
- Eliminating unnecessary cabling and intricate regulation boards.
- Reduce operational disruptions: The LEDs boast an impressive lifetime of up to 80,000 hours.
- Clean without worry: The sterilizable handle enables up to 350 cleaning cycles.



# MICARE JD1700 PRO

A versatile,  
multipurpose design

JD1700 Pro has an innovative design that integrates seamlessly into any department. An ergonomic handle makes it easy to direct the lightweight, triangular-shaped light head towards a wound or surgical site for diagnosis or treatment. The unique shape supports flexible positioning, and maintains a perfectly round light field with maximal light output and excellent shadow dilution. The design uses light weight, versatile, durable, and recyclable components as well as low-energyLed bulbs to support your facility's sustainability programs.



As a health care provider, doctors and hospitals encounter various tasks: Examinations and treatments, working on the computer. Concentration and an alert mind are almost constantly challenged. Security and reliability of medical equipment are therefore especially important this includes lighting. At the same time, the subject of economic efficiency gains in importance. Intelligent and high quality lighting solutions help to reduce ongoing operational costs significantly.

**LIGHT FOR CLINICS, MEDICAL PRACTICES AND LABORATORIES  
LIGHTING SOLUTIONS FOR THE HIGHEST DEMANDS**



**MICARE JD1700 PRO**  
Upgrade Your Examination Lighting

# Improving visibility in all hospital departments

- **Uniform and concentrated light patch:**  
130,000Lux Maximum at 1M Distance  
4,000 - 5,300K color temperature adjustable

- **No heat dissipation:**  
improved patient comfort and safety.

- **Better Tissue Differentiation (Superficial And Deep Structure):**  
Color rendering index fixed at 93 remix with White + yellow LEDs

- **Reduce risk of cross-contamination:**  
a sleek and curved surface to facilitate cleaning.

- **Angled shape for easy positioning:**  
the narrow design can be easily positioned in a crowded surgical theater.

- **Perfect light head stability:**  
Flexible spring arm With Solution For Single ceiling / wall mounted / Double ceiling / Portable



EXAMINATION / TREATMENT ROOM VERSATILE LIGHTS FOR MULTIPLE TASKS.

For patients, entering the treatment room is often associated with emotional tension, which can be relaxed by good room lighting. On the other hand, the physician and the medical staff need optimal lighting for examinations and treatments, but also for working on the computer. Mobility, long service life, energy efficiency and accurate color reproduction are natural for examination lights. Thanks to the closed geometry of luminaires, Micare lights meet hygienic requirements and cleaning via spray disinfection.



## Homogeneous Illumination

The result is a shadow-free and homogeneous light field over a large depth of illumination even when operating directly under the luminaire



## Long Bulb Life Minimizes Maintenance

Spend more time with patients and less time with maintenance; Led life is more than 80,000 hours.



## Freedom Of Movement

The maneuverable handle is directed towards the wound for accurate positioning.



## A Small Environmental Footprint

The JD1700 Pro series contains only environmentally friendly products and 80% recyclable material Optimized, compact and recyclable packaging reduces waste.



# MICARE JD1700 PRO

## WHY CHOOSE IT

### Homogeneous Illumination

While most compact medical luminaires cannot be operated at reduced brightness, the MICARE JD1700 Pro offers a wide range of brightness options down to only 10 klx. Ideal as minor lighting during endoscopic procedures (ENDO-Mode).

### Accurate Color rendering For Better Tissue Differentiation

While most compact medical luminaires cannot be operated at reduced brightness, the MICARE JD1700 Pro offers a wide range of brightness options down to only 10 klx. Ideal as minor lighting during endoscopic procedures (ENDO-Mode).

### Enjoy All The Features Of A Surgical Luminaire In A Compact Body

LED technology: No heating under the luminaire lamps with Micare LED light technology! The JD1700 Pro series addresses the increased demands of healthcare facilities for professional medical lighting. Therefore, they provide a superior range of use and robustness compared to examination lights with similar specifications. MICARE offers customized solutions for specific illuminance and colour temperature requirements.

**Light and good vision is natural for all of us. Therefore it is natural for us that we enter the latest trends and findings into the development of innovative lighting concepts. Reliable lighting solutions are particularly important in health care.**

Quality: Rely on high-quality materials and precise workmanship.

Design: Experience light in a timeless, modern form.

Innovation: Benefit from intelligent lighting and forward-looking technologies.

# MICARE JD1700 PRO

## Technical data

### JD1700J PRO DOUBLE CEILING



Technical Specifications	Details
Working Voltage	95V-245V, 50/60HZ
Light Intensity At EC (1Meter)	13,000 - 130,000Lux / 13,000 - 130,000Lux
Light Intensity Control	10 - 100% (10steps)
Light Field Diameter At EC (1Meter)	130 - 190MM (Adjustable)
Light head diameter	335MM = 13.19"
Number of LED's	16PCS (Osram Brand), 7pcs White LEDS + 9pcs Yellow LEDS
LED Bulb Size Diameter (pc)	35MM
Life span of LED's	80,000HRS
Colour rendering index Ra	93
Colour temperature (Kelvin):	4.000 - 5,300K (5steps Adjustabe)
Endo / Practice Mode Light	6pcs Yellow + 1pc White LEDS
Illumination depth 20 %	1200MM
Illumination depth 60 %	650MM
Max. radiation in field in a distance of 1 meter	264 W/m <sup>2</sup>
Temperature increase in head area	≤1°C
Arm Angle adjustment (Up And Down)	Up for 45°, Down For 50°, 1100MM

### JD1700L PRO PORTABLE MOBILE



Technical Specifications	Details
Working Voltage	95V-245V, 50/60HZ
Light Intensity At EC (1Meter)	13,000 - 130,000Lux
Light Intensity Control	10 - 100% (10steps)
Light Field Diameter At EC (1Meter)	130 - 190MM (Adjustable)
Light head diameter	335MM = 13.19"
Number of LED's	16PCS (Osram Brand), 7pcs White LEDS + 9pcs Yellow LEDS
LED Bulb Size Diameter (pc)	35MM
Life span of LED's	80,000HRS
Colour rendering index Ra	93
Colour temperature (Kelvin):	4.000 - 5,300K (5steps Adjustabe)
Endo / Practice Mode Light	6pcs Yellow + 1pc White LEDS
Illumination depth 20 %	1200MM
Illumination depth 60 %	650MM
Max. radiation in field in a distance of 1 meter	264 W/m <sup>2</sup>
Temperature increase in head area	≤1°C
Arm Angle adjustment (Up And Down)	Up for 45°, Down For 50°, 1100MM
Lamp Base Diameter	550*510*140MM
Battery Back Up Optional	4HRS Working time

### JD1700 PRO WALL MOUNTED



Technical Specifications	Details
Working Voltage	95V-245V, 50/60HZ
Light Intensity At EC (1Meter)	13,000 - 130,000Lux
Light Intensity Control	10 - 100% (10steps)
Light Field Diameter At EC (1Meter)	130 - 190MM (Adjustable)
Light head diameter	335MM = 13.19"
Number of LED's	16PCS (Osram Brand), 7pcs White LEDS + 9pcs Yellow LEDS
LED Bulb Size Diameter (pc)	35MM
Life span of LED's	80,000HRS
Colour rendering index Ra	93
Colour temperature (Kelvin):	4.000 - 5,300K (5steps Adjustabe)
Endo / Practice Mode Light	6pcs Yellow + 1pc White LEDS
Illumination depth 20 %	1200MM
Illumination depth 60 %	650MM
Max. radiation in field in a distance of 1 meter	264 W/m <sup>2</sup>
Temperature increase in head area	≤1°C
Arm Angle adjustment (Up And Down)	Up for 45°, Down For 50°, 1100MM

### JD1700G PRO SINGLE CEILING



Technical Specifications	Details
Working Voltage	95V-245V, 50/60HZ
Light Intensity At EC (1Meter)	13,000 - 130,000Lux
Light Intensity Control	10 - 100% (10steps)
Light Field Diameter At EC (1Meter)	130 - 190MM (Adjustable)
Light head diameter	335MM = 13.19"
Number of LED's	16PCS (Osram Brand), 7pcs White LEDS + 9pcs Yellow LEDS
LED Bulb Size Diameter (pc)	35MM
Life span of LED's	80,000HRS
Colour rendering index Ra	93
Colour temperature (Kelvin):	4.000 - 5,300K (5steps Adjustabe)
Endo / Practice Mode Light	6pcs Yellow + 1pc White LEDS
Illumination depth 20 %	1200MM
Illumination depth 60 %	650MM
Max. radiation in field in a distance of 1 meter	264 W/m <sup>2</sup>
Temperature increase in head area	≤1°C
Arm Angle adjustment (Up And Down)	Up for 45°, Down For 50°, 1100MM



## JD1700 PRO SERIES

**Accurate lighting solutions for examination and observation**

### **MINOR SURGERY / EMERGENCY ROOM CONCENTRATED AND SAFE WORK.**

Lighting comfort plays an important role especially in the field of surgery. Accurate color reproduction, exceptionally high light output without heat development and exact positioning of the luminaire support personnel during medical procedures. Virtually maintenance-free examination lights ensure that the team can mentally and physically concentrate on the demanding intervention.

### **INTENSIVE CARE INTENSIVE AND SENSITIVE LIGHTING.**

The care and monitoring of critically ill patients poses special challenges. Top modern medical technology, continuous monitoring and fast response times require an alert mind. First class visibility conditions are essential for the doctor and staff. A friendly general and night lighting complements perfectly. Since light is also perceived subconsciously, the use of biodynamic light as such as the light management system

### **GYNECOLOGY / OBSTETRICS DISCRETION AND EMPATHY.**

In gynecology, examinations and treatments are particularly intimate. The patient is the focus and should quickly feel comfortable. A soothing interior design and lighting support a relaxed relationship with the doctor. During the examination, the lighting is of great importance: A higher light color and excellent color reproduction, especially in the red range, are urgently required. Compact and moving examination lights are there by required. At the same time, heat development should not occur.

# MICARE LED OPERATING LIGHT



**MICARE MEDICAL**  
THE BRILLIANT SIDE OF MEDICAL LIGHTING

[www.surgicallight.com](http://www.surgicallight.com)

[www.micare-med.com](http://www.micare-med.com)

## Optimal lighting

# JD1800 SERIES

### Ease Of Use

Ergonomic sterilization handle for an easy movement of the light ,  
Smooth moving, long-reach arms combined with 270° rotation ensure that light is available from the head

### Ideal colour reproduction

With a colour temperature of 3,800 - 5,300 K in 9 steps ,the Micare JD1800 provides natural white with warm yellow light. This is both comfortable to the eye of the surgeon and allows best tissue definition.

### Highest lighting quality

Thanks to a concave lighting head design, diamond optics and premium LEDs, homogeneous light field and high illuminance with 120,000lux in dimming 9 levels low shadowing, excellent color rendering (Ra > 96, R13 > 93)

### Highest lighting quality

MICARE JD1800 employs highly developed optics, based on the principle of total internal reflection with an integrated Fresnel structure. This optimally directed light provides the user with an excellent depth of illumination. Absence of shadows, reflections and glare ensure safe working.

Healthcare Design.

---

# JD1800 SERIES MINOR SURGERY LIGHTING

[www.micare-med.com](http://www.micare-med.com)



---

One of the fundamental requirements for an Minor Surgery Light is an excellent light source which combined with a high quality arm system to allow easy positioning and use of the lamp.

The JD1800 Minor Surgery light has been designed with years of knowledge and with both of these at the forefront of the development.

The innovative design of the JD1800 makes the lamp the perfect choice for Clinicians

# JD1800 SERIES



Micare LED medical lights use the latest innovations in LED lighting technology to provide you with better performance and lower lifetime costs.

The choice of medical lights we offer vary in light intensity, light colour, mounting structures and price so you can choose a light that meets all of your clinical examination needs.



Healthcare Design.

# PRODUCT INFORMATION

## JD1800 MINOR SURGERY LIGHT

### MICARE JD1800 SERIES

LED technology has revolutionized the art of equipment design for the medical sector.

MICARE brings this innovative technology to the procedure & exam area. With its advanced thermal management system, integrated dimming controls, brilliant light output, and compact housing, MICARE meets the stringent requirements of both hospital designers and practitioners.



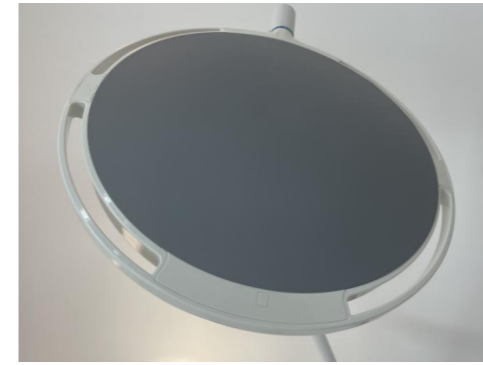
Uniform illumination for work area  
High intensity light  
120,000 lux/ 1 meter

Glare-free

To combat eye fatigue

Unparalleled color rendering  
Color Rendering Index (CRI) > 96

Easy to clean  
The removable handle can be sterilized and the closed construction of the fixture allows for easy cleaning



### MAINTENANCE-FREE

LED technology allows for long periods of maintenance-free usage. No service for bulb replacement necessary for the life of the fixture.

- Long lamp life of 30,000 hours

### CLEANING AND STERILIZATION

Its closed construction and smooth surface allows for quick, thorough cleaning. In addition, any penetration of dust, dirt or liquids is prevented. The removable handle is easy to sterilize.

- Removable and sterilizable handle
- Closed construction protects mechanics



### HIGH-QUALITY COMPONENTS

High-quality components guarantee a strong, user-friendly luminaire. Derungs uses only top of the line materials to garner maximum benefits from its product.

### Luminaire body:

Polycarbonate & acrylonitrile-butadiene-styrene copolymer (PC & ABS)  
Lens Cover:  
Polymethyl methacrylate (PMMA)  
An ABR-GL protective coating makes the lens cover scratch proof.



### IMPROVED ENERGY EFFICIENCY

Notable energy savings is gained thanks to the most up-to-date LED technology: high illumination using only 30 watts of power. If lower light levels are necessary, power consumption will be even less.

### ILLUMINATION / LIGHT INTENSITY REGULATION

Easy operation: One LCD control switches the light on/off and dims with nine light levels, providing the practitioner with the quick, convenient control necessary when many different procedures are being done during the course of the day



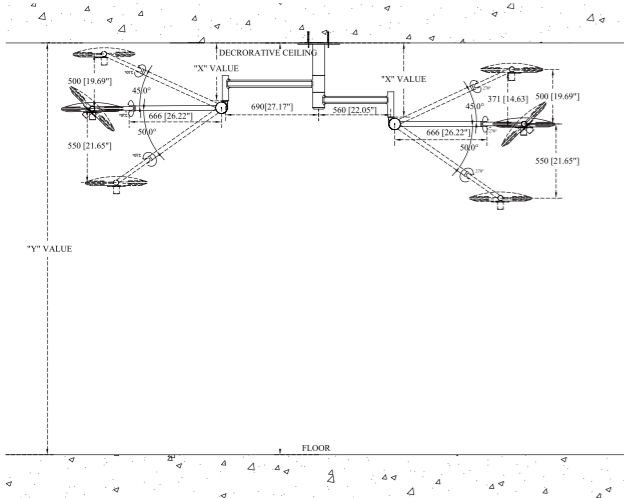
### GLARE-FREE

The light beam is focused and glare-free whatever the angle of sight. This avoids bothersome reflections on the surface.

- Dimmable from 100% – 10%
- 120,000 lux/39.5in (1m)
- Illuminated area 6.5in (160mm)
- CRI > 95
- Glare-, shadow- and reflection-free

### NO RADIATION OF HEAT

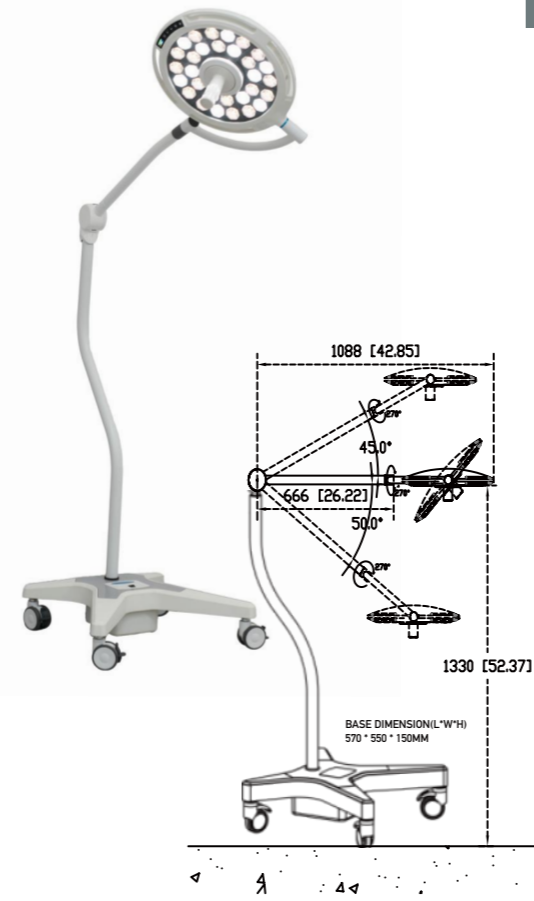
An ideal working environment for a physician during a procedure includes clear, glare-free light with almost no infrared or UV radiation. Not only does this add to the comfort of the physician, staff and patient, but also prevents tissue from drying out or being affected by the heat, a genuine concern to the provider.



TECHNICAL DATA SHEET JD1800 DOUBLE CEILING MOUNTY

Voltage Supply	95-245V~50/60Hz
Power	30W
Light Intensity at EC (1M)	120,000Lux Maximum
Intensity Control	9 Steps
LED Quantity	30PCS (12PCS White + 18PCS Yellow)
Light Facula Diameter	Ø 160 - 250MM
Color temperature	3,800 - 5,500K (9Steps Control)
Digital Switch	LCD Touch Screen
Lamp head diameter	410MM
LED Life Span	80,000Hrs (osram Brand)
CRI (R1-R13)	≥96
CRI (R9)	≥93
Ultra Thin Thickness Of Lamp Head	65MM
Working Distance	650 - 1800MM
Body Material	Aluminum
LED Bulb Size	35MM / PC
Illumination Depth at 60%	700MM
Illumination Depth At 20%	1100MM
Certification Approved	CE MDR2017/745, ISO9001, ISO13485, FDA,EN 60601-1, EN 60601-2-41

Standard With "Autoclave Sterilization Handle"



TECHNICAL DATA SHEET JD1800L PORTABLE

Voltage Supply	95-245V~50/60Hz
Power	30W
Light Intensity at EC (1M)	120,000Lux Maximum
Intensity Control	9 Steps
LED Quantity	30PCS (12PCS White + 18PCS Yellow)
Light Facula Diameter	Ø 160 - 250MM
Color temperature	3,800 - 5,500K (9Steps Control)
Digital Switch	LCD Touch Screen
Lamp head diameter	410MM
LED Life Span	80,000Hrs (osram Brand)
CRI (R1-R13)	≥96
CRI (R9)	≥93
Ultra Thin Thickness Of Lamp Head	65MM
Working Distance	650 - 1800MM
Body Material	Aluminum
LED Bulb Size	35MM / PC
Illumination Depth at 60%	700MM
Illumination Depth At 20%	1100MM
Certification Approved	CE MDR2017/745, ISO9001, ISO13485, FDA,EN 60601-1, EN 60601-2-41

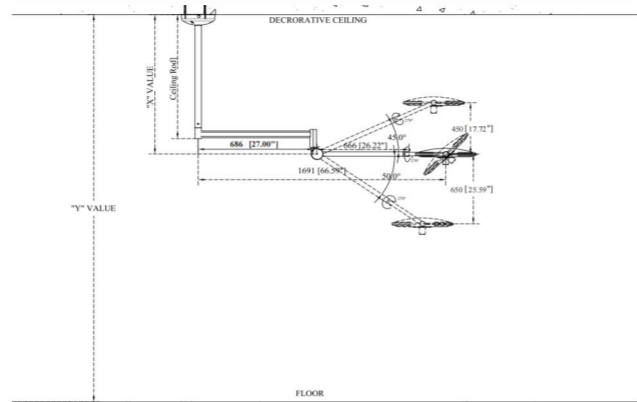
Standard With "Autoclave Sterilization Handle"



TECHNICAL DATA SHEET JD1800 SINGLE CEILING MOUNTY

Voltage Supply	95-245V~50/60Hz
Power	30W
Light Intensity at EC (1M)	120,000Lux Maximum
Intensity Control	9 Steps
LED Quantity	30PCS (12PCS White + 18PCS Yellow)
Light Facula Diameter	Ø 160 - 250MM
Color temperature	3,800 - 5,500K (9Steps Control)
Digital Switch	LCD Touch Screen
Lamp head diameter	410MM
LED Life Span	80,000Hrs (osram Brand)
CRI (R1-R13)	≥96
CRI (R9)	≥93
Ultra Thin Thickness Of Lamp Head	65MM
Working Distance	650 - 1800MM
Body Material	Aluminum
LED Bulb Size	35MM / PC
Illumination Depth at 60%	700MM
Illumination Depth At 20%	1100MM
Certification Approved	CE MDR2017/745, ISO9001, ISO13485, FDA,EN 60601-1, EN 60601-2-41

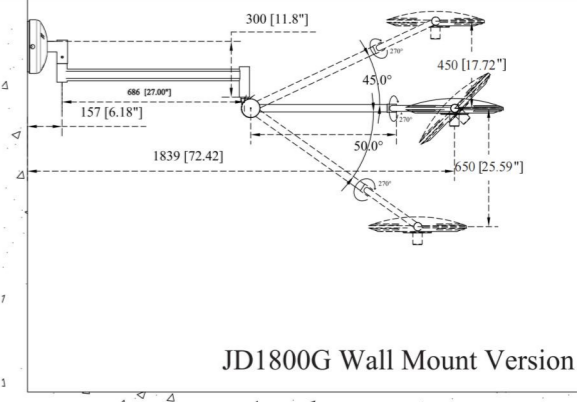
Standard With "Autoclave Sterilization Handle"



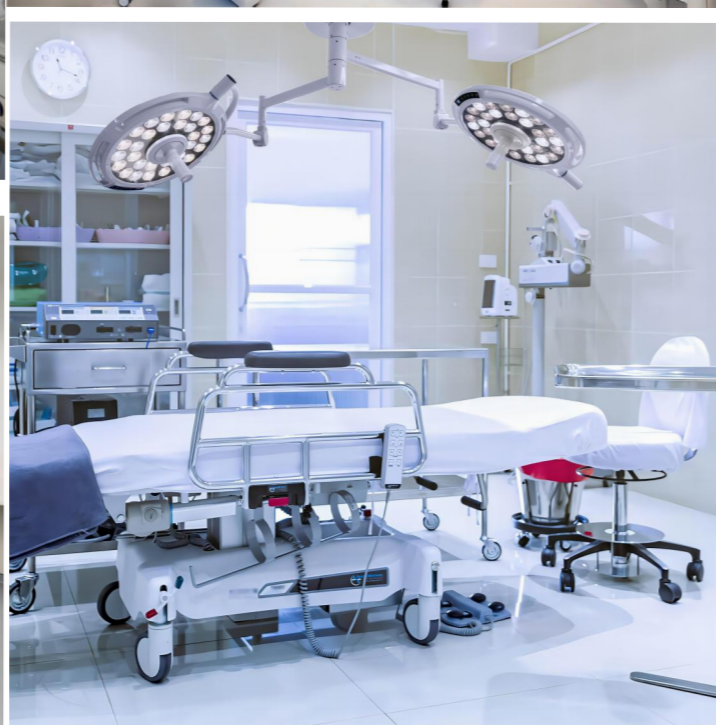
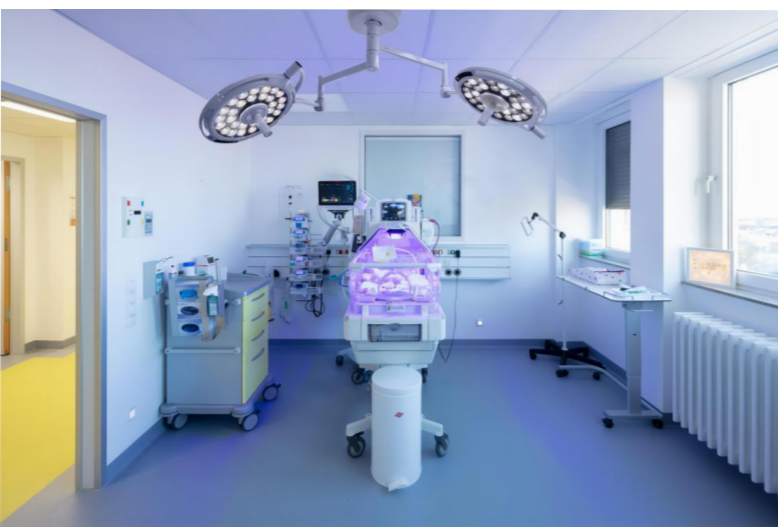
TECHNICAL DATA SHEET JD1800G WALL MOUNT

Voltage Supply	95-245V~50/60Hz
Power	30W
Light Intensity at EC (1M)	120,000Lux Maximum
Intensity Control	9 Steps
LED Quantity	30PCS (12PCS White + 18PCS Yellow)
Light Facula Diameter	Ø 160 - 250MM
Color temperature	3,800 - 5,500K (9Steps Control)
Digital Switch	LCD Touch Screen
Lamp head diameter	410MM
LED Life Span	80,000Hrs (osram Brand)
CRI (R1-R13)	≥96
CRI (R9)	≥93
Ultra Thin Thickness Of Lamp Head	65MM
Working Distance	650 - 1800MM
Body Material	Aluminum
LED Bulb Size	35MM / PC
Illumination Depth at 60%	700MM
Illumination Depth At 20%	1100MM
Certification Approved	CE MDR2017/745, ISO9001, ISO13485, FDA,EN 60601-1, EN 60601-2-41

Standard With "Autoclave Sterilization Handle"

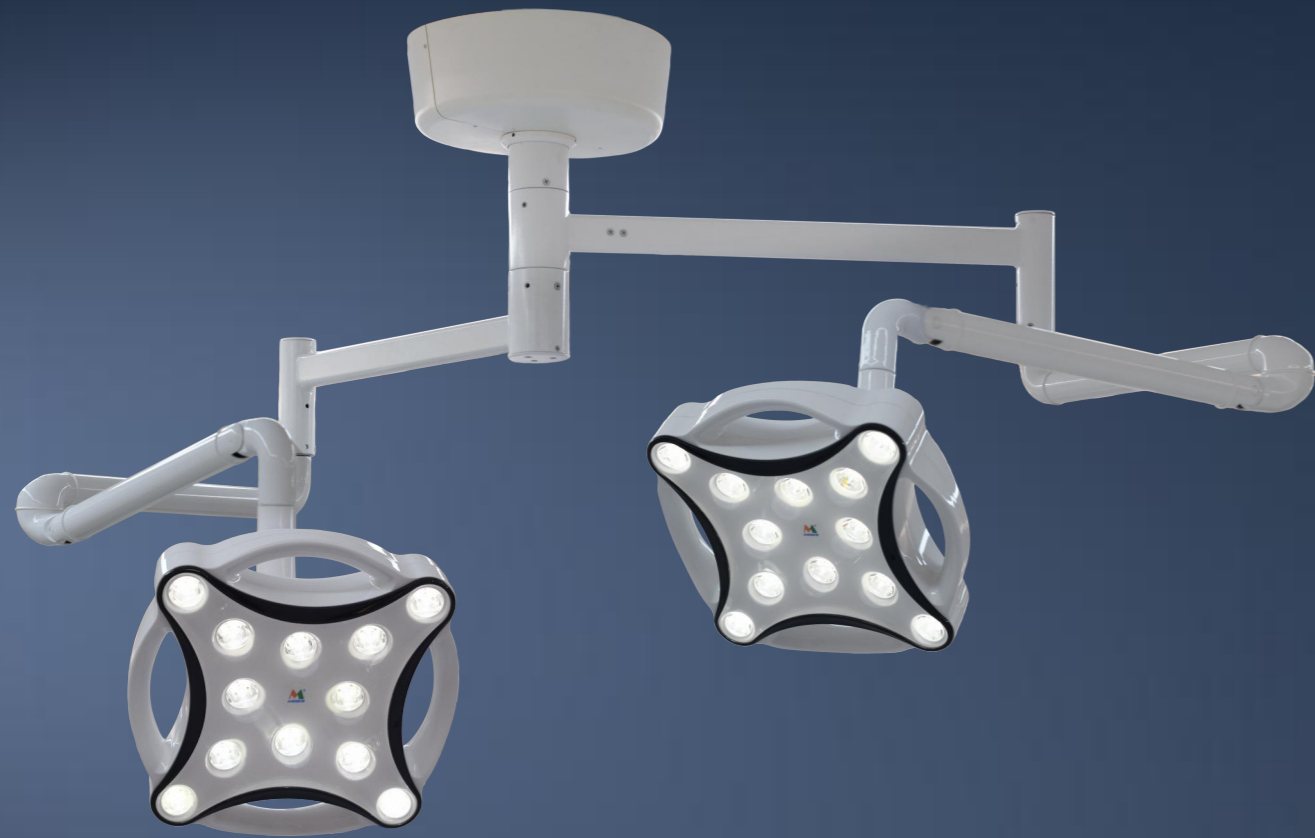


JD1800G Wall Mount Version



# PROFESSIONAL HEALTHCARE LIGHTING

# JD1700 LED PROCEDURE LAMP



## Power. Clarity. Efficiency.

Exam lighting you can rely on when the stakes are high.

The JD1700 LED Procedure Lamp delivers 130,000 LUX of high-intensity illumination to perform minor procedures and examinations with accuracy. The lightweight and compact design make it easy to position the fixture for maximal efficiency. So you can stay focused on the task at hand.

- 18 precisely positioned LED optics deliver high-level illumination and superior shadow control
- Color temperature of 5,000K and a CRI of 96+ provide excellent color accuracy to distinguish between tissues
- The ergonomic handle is off-center to maximize the light field for broader examinations



Ideal for use in:

ICU Rooms • ED / Trauma Departments • Procedure and Exam Rooms  
Labor and Delivery Units • Cosmetic Surgery Center • Veterinary Surgery Center  
Gynecology And Delivery • Orthopedics Examination • Dental Surgery



130,000  
LUX



Sensor Switch  
Intensity Control



96+  
CRI

## Reliable and safe – to simplify the everyday by specialists

Reliable surgical lighting is essential in clinics and Medical practices indispensable. The examination lights of MICARE make everyday work easier for examinations as well as in the preparation for the operation.



## Efficient LED technology and flexibility for optimal support in daily practice

The examination lights bring the latest LED technology to the medical examination area and are characterized by their high mobility and the good positioning of the lamp body in the daily work.

## Variable mounting – adaptable in any space

Ceiling mount, wall mount, rail clamp or Mobile stand: The examination light JD1700 is flexible can be used and covers all space requirements.



## Benefits for your environmental balance

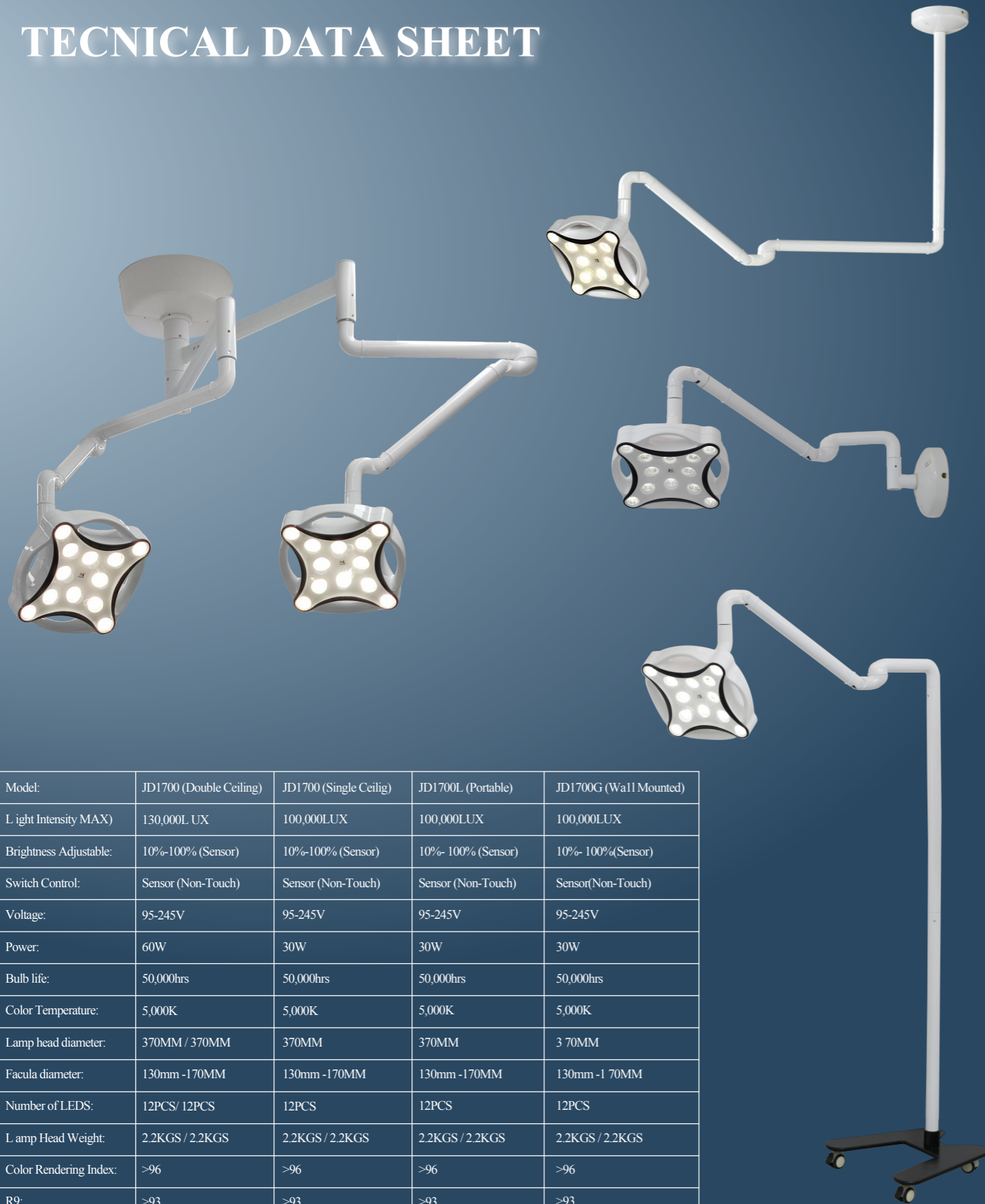
For everyone who is already thinking about tomorrow today JD1700 the light of choice. simply because they not only provide optimal wound field illumination



## Many advantages for your benefit

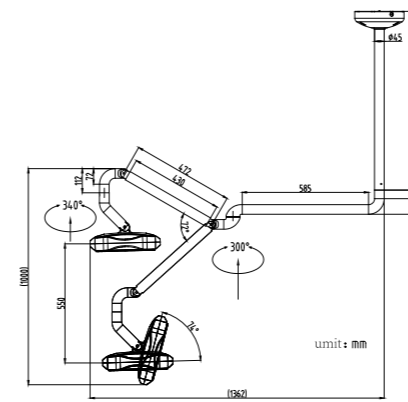
- modern LED technology
- Outstanding light output and efficiency
- long service life of the LEDs
- easy handling
- functional and ergonomic design
- comfortable positioning
- ergonomic handle
- light weight
- Completely closed lighting system
- easy cleaning
- high standard of hygiene

# TECNICAL DATA SHEET

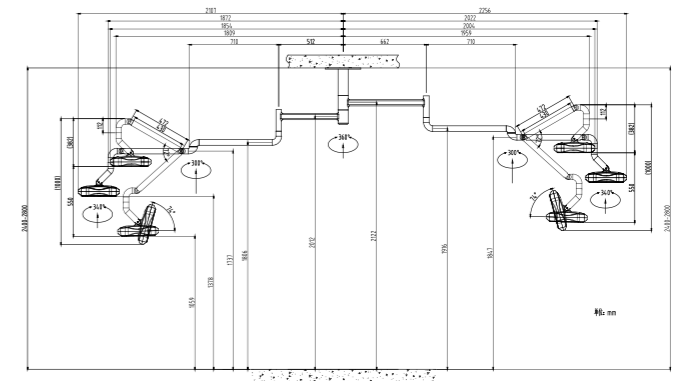


## DIMENSION CHART FOR DIFFERENT TYPE

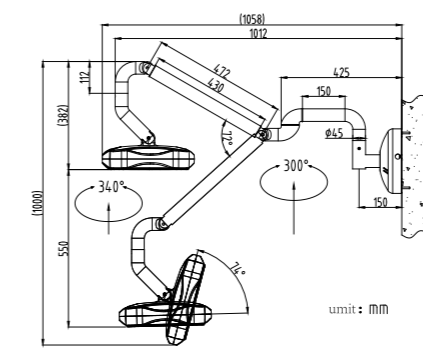
JD1700 LED PROCEDURE LAMP  
YOUR PARTNER IN LIGHTING



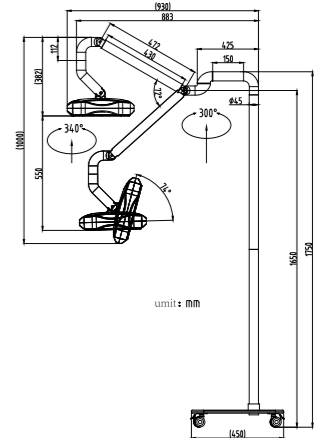
JD1700 SINGLE CEILING



JD1700 DOUBLE CEILING



JD1700 WALL MOUNTED



JD1700 PORTABLE MOBILE

Model:	JD1700 (Double Ceiling)	JD1700 (Single Ceiling)	JD1700L (Portable)	JD1700G (Wall Mounted)
Light Intensity MAX)	130,000LUX	100,000LUX	100,000LUX	100,000LUX
Brightness Adjustable:	10%-100% (Sensor)	10%-100% (Sensor)	10%- 100% (Sensor)	10%- 100%(Sensor)
Switch Control:	Sensor (Non-Touch)	Sensor (Non-Touch)	Sensor (Non-Touch)	Sensor(Non-Touch)
Voltage:	95-245V	95-245V	95-245V	95-245V
Power:	60W	30W	30W	30W
Bulb life:	50,000hrs	50,000hrs	50,000hrs	50,000hrs
Color Temperature:	5,000K	5,000K	5,000K	5,000K
Lamp head diameter:	370MM / 370MM	370MM	370MM	370MM
Facula diameter:	130mm -170MM	130mm -170MM	130mm -170MM	130mm -170MM
Number of LEDs:	12PCS/ 12PCS	12PCS	12PCS	12PCS
Lamp Head Weight:	2.2KGS / 2.2KGS	2.2KGS / 2.2KGS	2.2KGS / 2.2KGS	2.2KGS / 2.2KGS
Color Rendering Index:	>96	>96	>96	>96
R9:	>93	>93	>93	>93
Back Up Battery (6-8HRS)	/	/	Optional	/
Certifications :	CE, ISO13485, ISO9001, FDA, Free Sale Certificate, CFDA			



360 Degree  
Rotation



5000K  
CCT



0% - 100%  
Dimming

